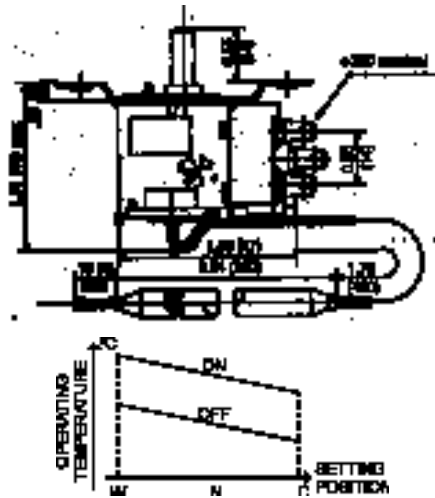


Cold Capillary Controls

WK and WK-H Series



APPLICATIONS

- Coolers
- Freezers
- Refrigerators
- Ice machines
- Air conditioners

The WK and WK-H Series general purpose thermostats provide the ideal temperature control solution for a wide variety of refrigeration and air-conditioner applications. This cold control provides accurate temperature control and high sensitivity for a wide range of refrigerators, freezers, beverage coolers, and display case applications. High current capability switch of SPST or SPDT. There is a narrow differential and a forced off function. The WK and WK-H Series can be used in DC current with inductive loads. Fixed operating temperatures (without shaft) are also available. With universal adaptability in mind, the WK and WK-H Series is designed to replace many OEM controls, offering the user additional options and convenience during equipment manufacturing or repair. Mainly built to custom specifications, it comes complete with a variety of mounting hardware including brackets, terminals, dial plates, and knobs.

SPECIFICATIONS

| | |
|---|---|
| Temperature range | -31°F to 104°F (-35°C to 40°C) with bulb -31°F to 90°F (-35°C to 32°C) no bulb |
| Maximum temperature range | 36°F (20°C) |
| Differential | 4°F to 9°F (2°C to 5°C) |
| Tolerance | 2.7°F (1.5°C) at calibration point 3.6°F (2.0°C) at non-calibration point |
| Contact resistance | <50m Ω |
| Insulation resistance | >100m Ω |
| Dielectric strength | AC 50/60Hz, 1500V/1 minute |
| UL/CSA/VDE electrical ratings Model WK | 125/250VAC, 20 Amps, Resistive 100,000 Cycles |
| Inductive load ratings | 125/250VAC, 20FLA, 80LRA |
| UL/CSA/VDE electrical ratings Model WK-H | 125/250VAC, 20 Amps, Resistive 100,000 Cycles |
| Inductive load ratings | 125/250VAC, 25FLA, 100LRA |
| Approvals | UL File No. E195847, SDFY2 C-UL File No. E195847, SDFY8 VDE |

Models available from stock - subject to availability

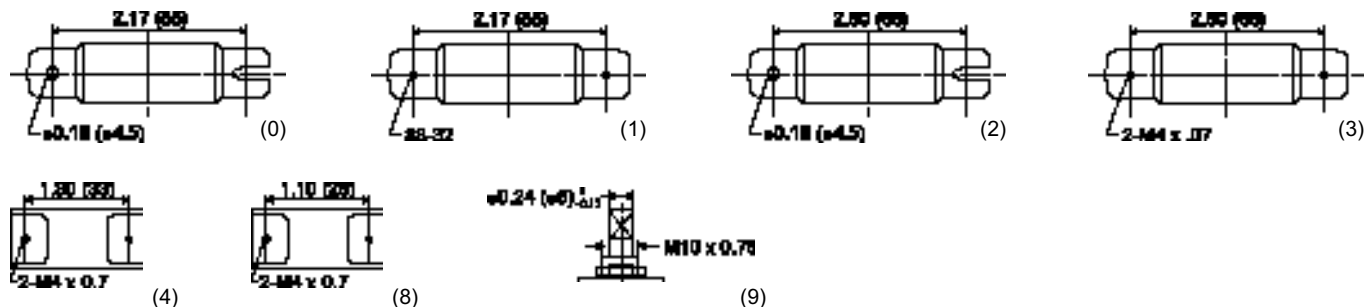
| Part Number | Temperature Settings | | | |
|-------------------------------------|----------------------|---------|-----------|---------|
| | Switch Action | Cold °F | Normal °F | Warm °F |
| WK1V-115-020 | ON | ● | 42 | 45 |
| | OFF | 34 | 37 | ● |
| WKF29.4S-005-120 | ON | -5.8 | 5 | 12.2 |
| | OFF | -20.2 | -9.4 | -2.2 |
| WKF20.6E-007-020 | ON | 3 | 21 | 41 |
| | OFF | 4 | 16 | 33 |
| WKF11V-109-021T | ON | 35 | ● | 46 |
| | OFF | 13 | ● | ● |
| WKF1V-005-020-1 | ON | 38 | ● | 43 |
| | OFF | 30 | ● | ● |
| WKF11A-102-022 (Constant Cut-In) | ON | 39 | 39 | 39 |
| | OFF | 12 | 21 | 30 |
| WK15.6S-408-060 | ON | 64.4 | ● | 90 |
| | OFF | 60.08 | ● | ● |

It is the customer's sole responsibility to specify and determine the suitability of a particular control or component based on their unique individual applications and requirements

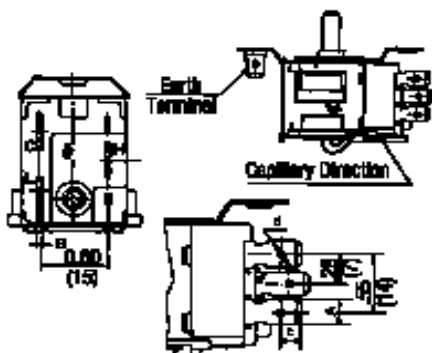
Brackets, Terminals and Adjustment Shafts

Options for WD, WS, WK and WK-H Series

Bracket Options



Terminal Options

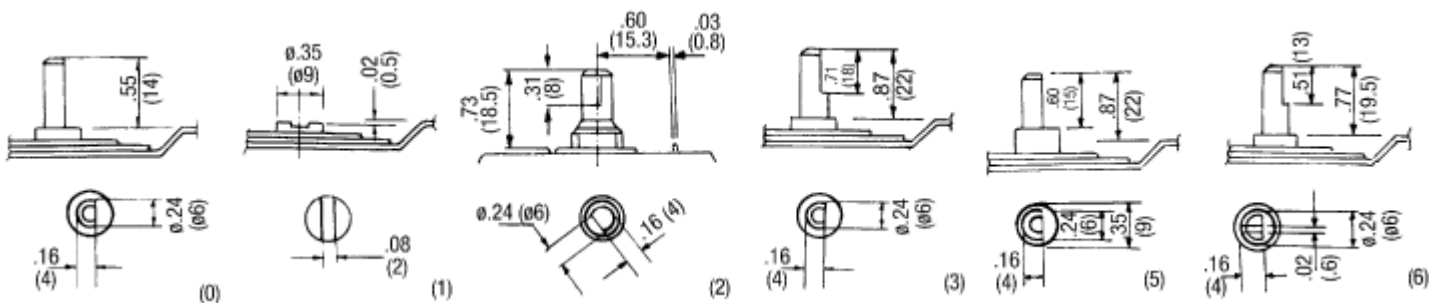


| Terminal Number | A x B (mm) | C (mm) | D (inches) | Code | |
|-----------------|-------------|------------|------------|----------|-----------------|
| | | | | Terminal | Ground Terminal |
| #187 | 4.75 x 0.55 | 3.2 + 0.25 | 1.4 | 1 or 5 | 1 or 3 |
| #250 | 4.75 x 0.8 | 4.2 + 0.3 | 1.4 | 3 or 7 | 5 or 7 |
| #187 | 6.35 x 0.8 | 3.2 + 0.25 | 1.6 | 2 or 6 | 2 or 4 |

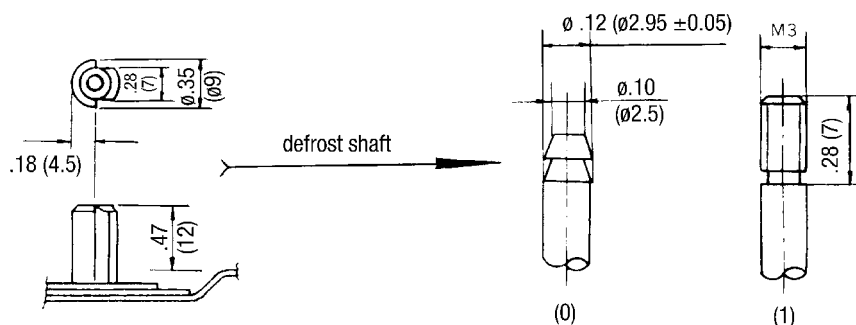
Terminal No. 1, 2, and 3 - are the same direction as capillary
Terminal No. 5, 6, and 7 - are the opposite direction

Ground Terminal No. 1, 2, and 5 - are in the front of the bracket
Ground Terminal No. 3, 4, and 7 - are in the rear of the bracket

Adjustment Shaft Options



For WS Series



It is the customer's sole responsibility to specify and determine the suitability of a particular control or component based on their unique individual applications and requirements