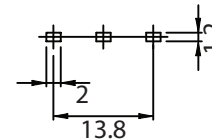
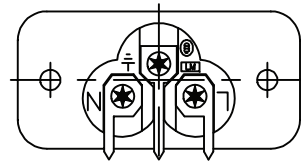
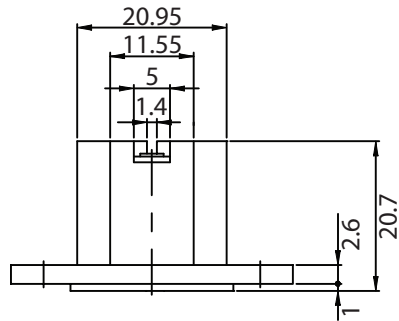
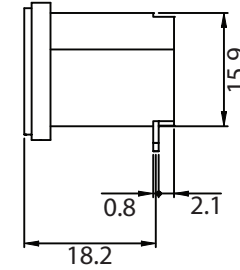
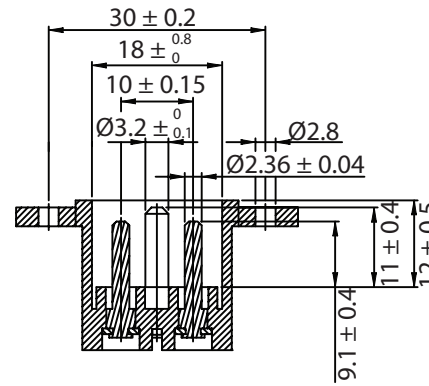
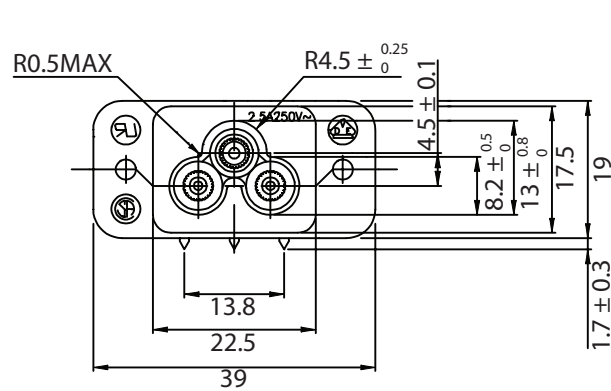
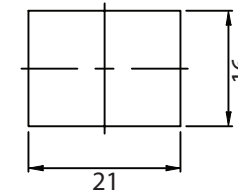


THESE DRAWINGS ARE THE PROPERTY OF QUALTEK ELECTRONICS AND NOT TO BE REPRODUCED FOR OR COMMUNICATED TO A THIRD PARTY WITHOUT THE EXPRESS WRITTEN PERMISSION OF AN OFFICER OF QUALTEK ELECTRONICS.

REVISION			
REV.	DESCRIPTION	DATE	APPROVED
B	RoHS Compliancy	06-01-06	DP



P.C.B. LAYOUT



PANEL CUTOUT

NOTES:

RATING: 2.5A 250V AC
 APPROVALS: UL, CSA, VDE
 RoHS COMPLIANT

CONTROLLED

Dim range (mm)	Tolerance +/- (mm)	Qualtek Electronics Corp. PPC DIVISION		
		Part Number: 771W-AX2/01	RoHS Compliant	
0-1	0.15	Description: AC RECEPTACLE		
1-6	0.20		UNIT: mm	REV. B
6-18	0.30	Drawn / Date	Checked / Date	Approved / Date
18-50	0.50	B.ZHANG 09-16-04	09-16-04	JJH / 09-16-04
50-120	0.70			
120-250	0.90			
250-500	1.20			