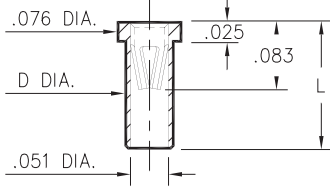


0305

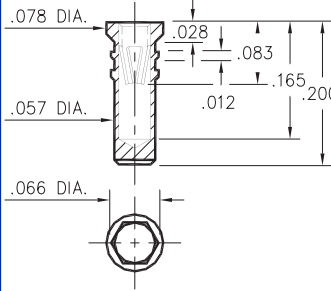


Basic Part Number	Length L	Dia. D
0305-0	.095	.056
0305-1	.105	.058
0305-2	.155	.058

0305-X-15-XX-47-XX-10-0

Solder mount in .059/.061 mounting hole
Also available on 24mm wide carrier tape: 1,500 parts per 13" reel.
Order as: 0305-2-57-XX-47-XX-10-0

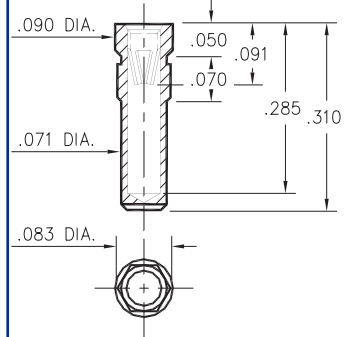
0279



0279-0-15-XX-47-XX-10-0

Hex press-fit in .062 plated thru hole

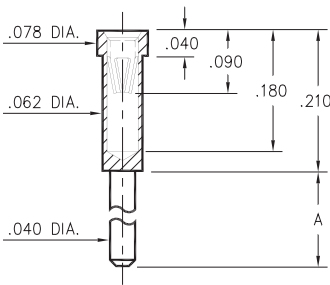
0330



0330-0-15-XX-47-XX-10-0

Hex press-fit in .079 plated thru hole

0300/8300

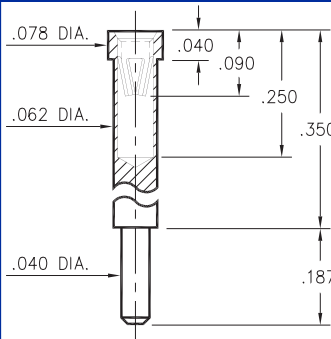


Basic Part Number	Length A
0300-1	.110
0300-2	.187
8300-0	.140

X300-X-15-XX-47-XX-10-0

Solder mount in .042 min. mounting hole

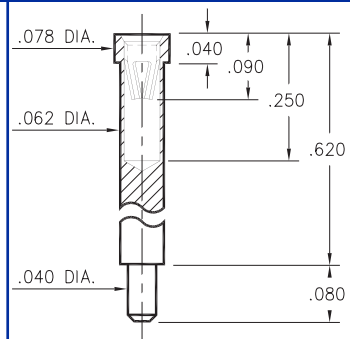
0301



0301-1-15-XX-47-XX-10-0

Solder mount in .042 min. mounting hole

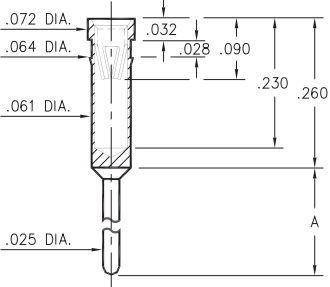
0309



0309-2-15-XX-47-XX-10-0

Solder mount in .042 min. mounting hole

0399

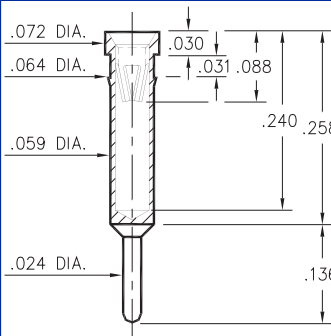


Basic Part Number	Length A
0399-0	.230
0399-1	.180

0399-X-15-XX-47-XX-04-0

Press-fit in .061 mounting hole

1304



1304-0-15-XX-47-XX-04-0

Press-fit in .061 mounting hole

SPECIFICATIONS

SHELL MATERIAL:
Brass Alloy 360, 1/2 Hard

CONTACT MATERIAL:
Beryllium Copper Alloy 172, HT

DIMENSION IN INCHES
TOLERANCES ON:
LENGTHS: ±.005
DIAMETERS: ±.002
ANGLES: ± 2°

ORDER CODE: XXXX - X - 15 - XX - 47 - XX - XX - 0

BASIC PART # →

SPECIFY SHELL FINISH:

- 01 200μ" TIN/LEAD OVER NICKEL
- 80 200μ" TIN OVER NICKEL ◊
- 15 10μ" GOLD OVER NICKEL ◊

SPECIFY CONTACT FINISH:

- 01 200μ" TIN/LEAD OVER NICKEL
- 80 200μ" TIN OVER NICKEL ◊
- 27 30μ" GOLD OVER NICKEL ◊



CONTACT

#47 CONTACT (DATA ON PAGE 221)