

IP67



Amphenol's MRJ series represents a unique and innovative RJ connector design. This design provides the ideal solution for Network data transfer in harsh and demanding environmental conditions. In addition, these connectors can be supplied with EMI and transient voltage protection capabilities. These RJs are water resistant (IP67) in both mated and unmated conditions. They are truly unshaken by hostile environmental elements.

Features

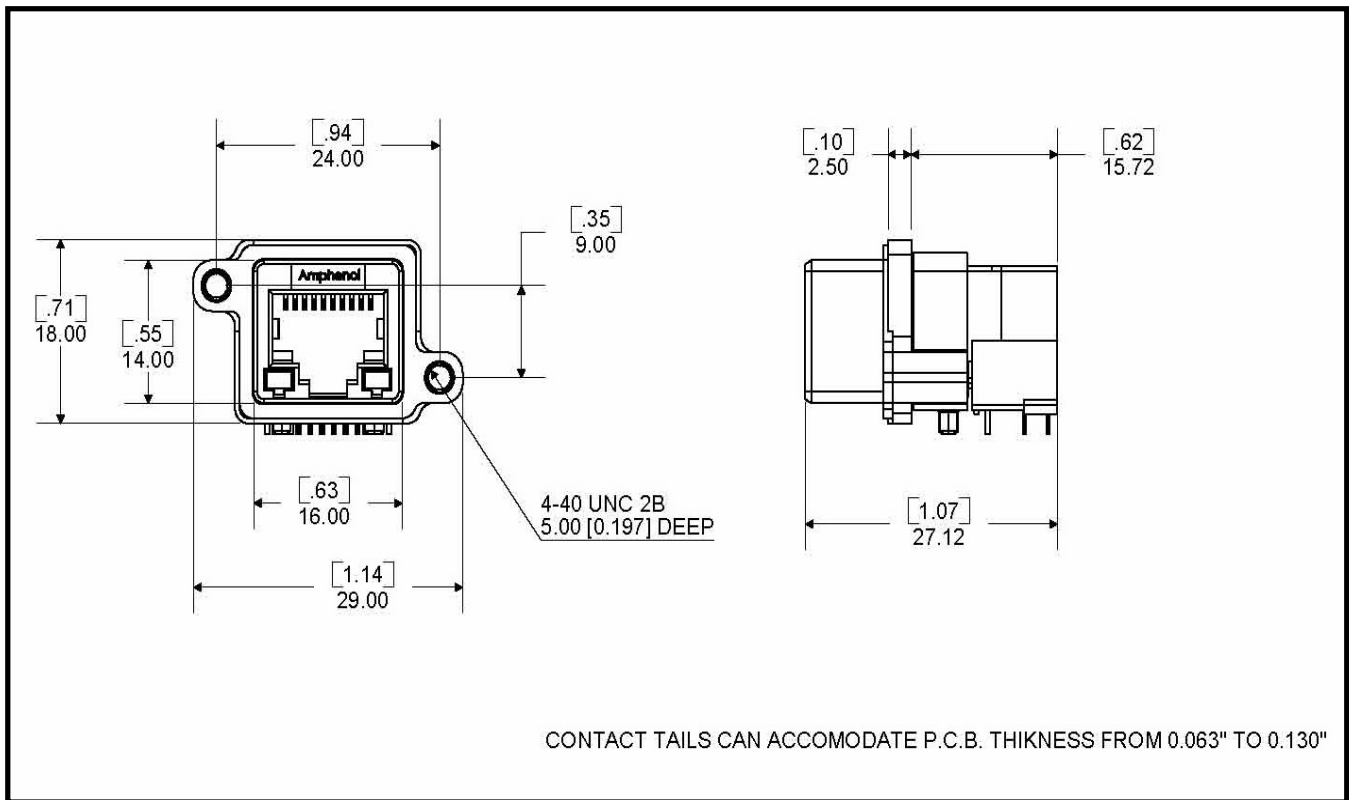
- Cat 5 Ethernet performance
- IP67 sealed in the mated and unmated conditions
- Meets military shock and vibration levels
- Available with optional integrated LEDs
- Available with various termination methods
- Available with EMI filtering and transient voltage protection
- All metal die cast outer shell construction
- Includes a feature that will not allow an RJ11 to enter.
- Will not allow an improperly terminated plug to enter.

Applications

- Industrial
- Military Communications
- Marine
- Mobile Communications
- Automotive

Technical Data

- Contact Resistance	30 milliohms maximum
- Insulation Resistance	50 megaohms minimum at 100 VDC
- Current Rating	1.5 Amps
- Voltage rating	100 VDC at -25° C to +85° C
- Dielectric Withstanding Voltage	500 VAC, RMS, 60 Hz 1 minute
- Storage Temperature	-40° C to +105° C
- Operating Temperature	-40° C to +105° C



Ordering Information

MRJ - X X X X - X X

Versions
 5 - Standard Receptacle
 6 - Same as 5 with EMI Filter
 7 - Same as 5 with Transient Voltage Protection

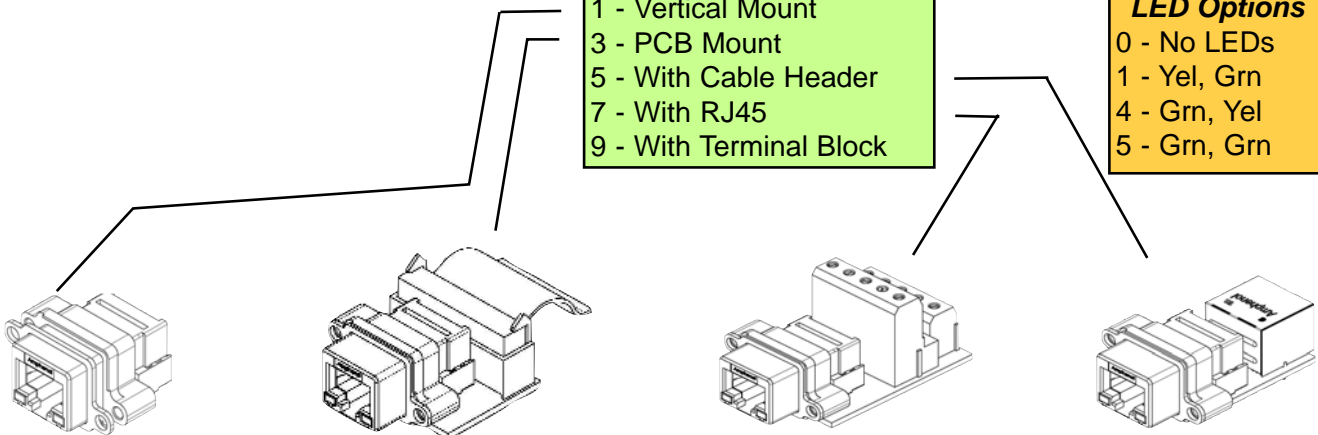
Number of Contacts
 8 - 8 Contacts
 A - 10 Contacts

Number of Ports
 1 to 4

Contact Tail Length
 0 - 0.100"
 A - 0.130"
 B - 0.150"
 C - 0.170"

Mounting
 1 - Vertical Mount
 3 - PCB Mount
 5 - With Cable Header
 7 - With RJ45
 9 - With Terminal Block

LED Options
 0 - No LEDs
 1 - Yel, Grn
 4 - Grn, Yel
 5 - Grn, Grn



Amphenol

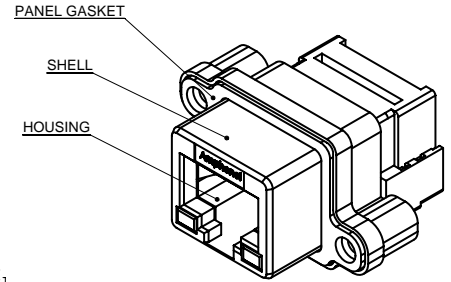
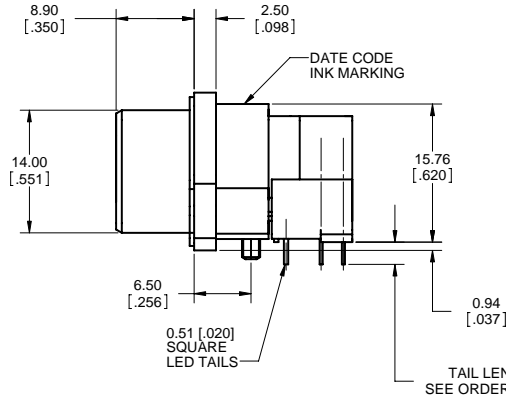
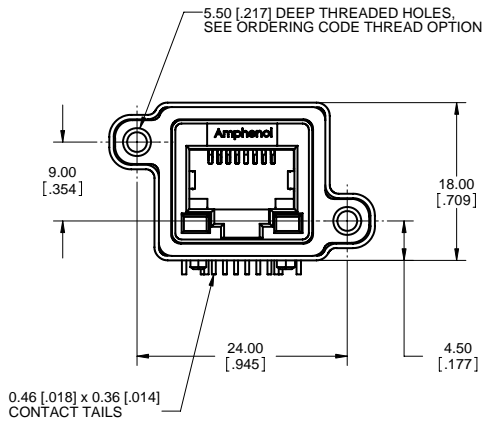
Tel: 416-754-5697

Fax: 416-754-5709

Email: connect.sales@tmantennas.com

Web: www.amphenol-rugged.com

REVISIONS			
REV	ECN, ERN NO.	DATE	APPRD.
G	PRODUCT DRAWING	JAN18/08	K.L.



0.46 [.018] x 0.36 [.014] CONTACT TAILS

TAIL LENGTH 'A'
SEE ORDERING CODE

NOTES:

- MATERIAL:**
ALL MATERIALS ARE RoHS COMPLIANT PER EU DIRECTIVE 2002/95/EC AND AMENDMENTS
 - SHELL - DIECAST ZINC, NICKEL PLATED
 - CONTACTS - PHOSPHOR BRONZE WITH 50 MICROINCHES (1.27 MICRONS) GOLD OVER 50 MICROINCHES (1.27 MICRONS) MINIMUM NICKEL ON THE MATING AREA AND MATTE TIN OVER NICKEL ON THE CONTACT TAILS.
 - INSERTS - ENGINEERING THERMOPLASTIC, UL FLAMMABILITY RATING 94V-0, REAR INSERTS: BLACK, FRONT INSERT: CLEAR
 - LED'S - EPOXY LENS, STEEL TAILS WITH TIN PLATING
 - GASKET - SILICONE RUBBER
- ENVIRONMENTAL PERFORMANCE PER IEC 60529 CODE IP67 FOR SEAL BETWEEN MATING AREA AND PCB SIDE OF CONNECTOR. GASKET PROVIDES FOR SEAL TO INSIDE FACE OF PANEL.**
- CURRENT RATING: 1.5 AMPERES**
- CONTACT RESISTANCE: 30 MILLIOHMS MAXIMUM**
- OPERATING TEMPERATURE: -40C TO +105C**
- CONNECTOR SEAL TO WITHSTAND 34.5 KPa (5 PSI) PRESSURE AFTER TEMPERATURE EXPOSURE OF 150 °C FOR 180 SECONDS (CONNECTOR PRE-HEAT) AND 265 °C FOR 8 SECONDS (SOLDER DIP TAILS).**
- RECOMMENDED TORQUE FOR PANEL MOUNT SCREWS: 0.45 TO 0.65 Nm (4.00 - 5.75 IN-LBS) FOR STEEL SCREWS WITH 3.00 (.118) THREAD ENGAGEMENT.**



ORDERING CODE: **MRJ-53XX-X1**

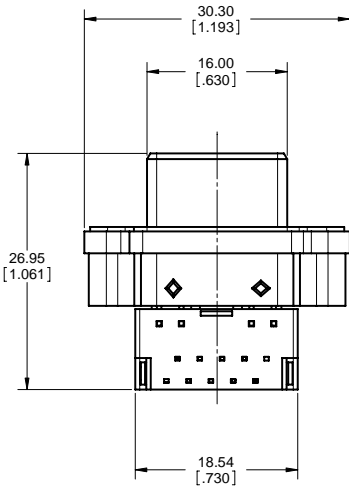
SERIES, RUGGED RJ
RECEPTACLE, RIGHT ANGLE,
PCB TAIL

NUMBER OF CONTACTS
8= 8 CONTACTS
A=10 CONTACTS

LED OPTION
0=NONE
1=GREEN LEFT, YELLOW RIGHT
4=YELLOW LEFT, GREEN RIGHT
5=GREEN LEFT, GREEN RIGHT

TAIL LENGTH AND MOUNTING
HOLE THREAD OPTION
0= TAIL LENGTH A=2.54 [.100],
#4-40 UNC THREAD
B= TAIL LENGTH A=3.81 [.150],
#4-40 UNC THREAD
M= TAIL LENGTH A=2.54 [.100],
M3 x 0.5 THREAD
P= TAIL LENGTH A=3.81 [.150],
M3 x 0.5 THREAD

SINGLE PORT



PROPRIETARY AND CONFIDENTIAL
THIS DOCUMENT CONTAINS
PROPRIETARY INFORMATION AND SUCH
INFORMATION MAY NOT BE DISCLOSED
OR USED FOR ANY PURPOSE OR USED
FOR MANUFACTURING PURPOSES
WITHOUT THE EXPRESS PERMISSION FROM
AMPHENOL CANADA CORP.

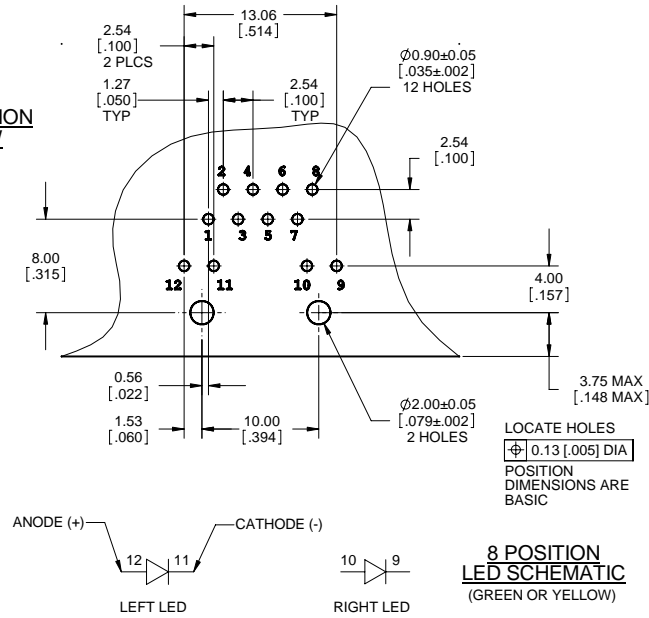
UNLESS OTHERWISE SPECIFIED		DATE	
DIMENSIONS ARE IN MILLIMETERS	DRAWN: S.SEMENOV	NOV1104	Amphenol Canada Corp.
TOLERANCES	DESIGNED: S.SEMENOV	NOV1104	
FRACTIONS ±	CHECKED:		
ANGULAR MATCH ± BEND ±	I.E. APPRD:		
TWO PLACE DECIMAL ±	C.A. APPRD:		MRJ SERIES RUGGED MODULAR JACK, 8 & 10 POSITION RIGHT ANGLE, WITH LED, TAIL LENGTH & THREAD OPTIONS, ROHS COMPLIANT
THREE PLACE DECIMAL ±	ENG. DES. NO:		
INTERPRET GEOMETRIC TOLERANCING PER	DATE APPRD:	A.GREEN	NOV1104
MATERIAL:	ENG. REL. NO:		
FINISH:	REV:		
NEXT ASSY:	USED ON:		
APPLICATION:	DO NOT SCALE DRAWING		

SIZE: C P-MRJ-53XX-X1 G
SCALE: 3:1 WEIGHT: SHEET 1 OF 2

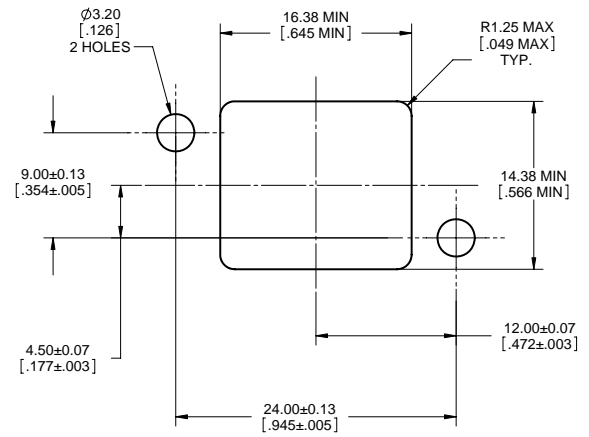
REVISIONS			
REV	ECN, ERN NO.	DATE	APPRD.
G	PRODUCT DRAWING	JAN18/08	K.L.

RECOMMENDED P.C.B. LAYOUT

8 POSITION VIEW

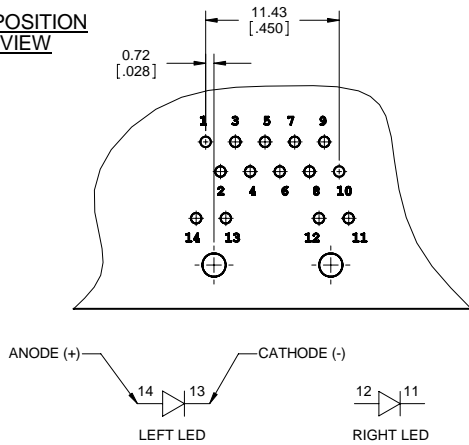


8 POSITION LED SCHEMATIC (GREEN OR YELLOW)



RECOMMENDED PANEL CUTOUT

10 POSITION VIEW



10 POSITION LED SCHEMATIC (GREEN OR YELLOW)



PROPRIETARY AND CONFIDENTIAL
THIS DOCUMENT CONTAINS PROPRIETARY INFORMATION AND SUCH INFORMATION MAY NOT BE DISCLOSED TO OTHERS FOR ANY PURPOSE OR USED FOR MANUFACTURING PURPOSES WITHOUT THE PERMISSION FROM AMPHENOL CANADA CORP.

UNLESS OTHERWISE SPECIFIED:	DATE:	Amphenol Canada Corp.
DIMENSIONS ARE IN MILLIMETERS	DRAWN: S.SEMENOV ND01104	MRJ SERIES RUGGED MODULAR JACK, 8 & 10 POSITION RIGHT ANGLE, WITH LED, TAIL LENGTH & THREAD OPTIONS, ROHS COMPLIANT
TOLERANCES:	DESIGNED: S.SEMENOV ND01104	DWG. NO. C P-MRJ-53XX-X1 G
FRACTIONAL: ±	CHECKED:	REV
ANGULAR MATCH: BEND ±	I.E. APPRD:	SCALE: 4:1 WEIGHT: SHEET 2 OF 2
TWO PLACE DECIMAL: ±	C.A. APPRD:	
THREE PLACE DECIMAL: ±	ENG. REL. NO.:	
NEAREST GEOMETRIC TOLERANCING P/B	ENG. APPRD: A.GREEN ND01104	
MATERIAL:	REV:	
FINISH:	DIMENSIONS ARE IN MILLIMETERS	
CODE ID. NO.:		
APPLICATION:	DO NOT SCALE DRAWING	