

Alle Rechte vorbehalten/ All rights reserved

5

4

3

2

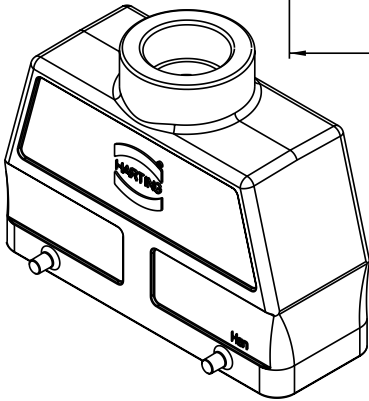
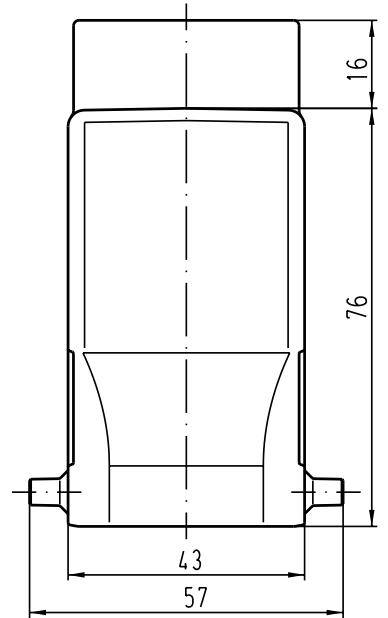
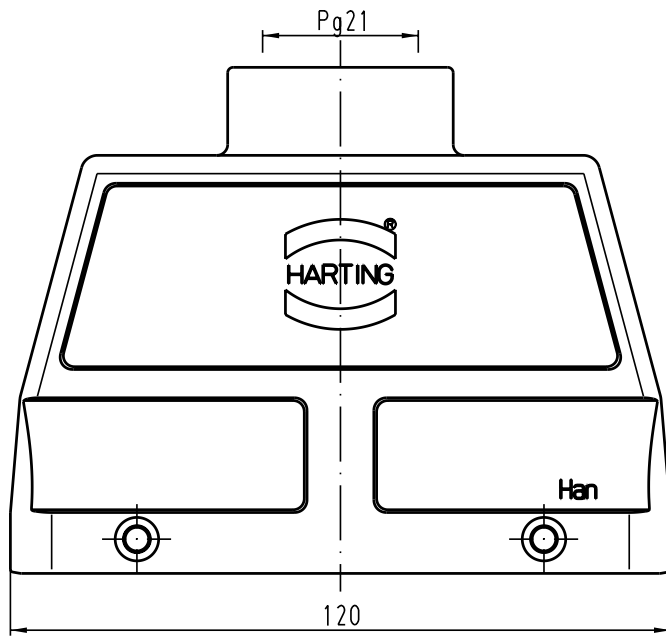
1

D

C

B

A



All Dimensions in mm Original Size DIN A 4		Techn. Character.			Nicht tolerierte Masse/ Free size tolerances																
			<table border="1"> <tr> <th>Detail.</th> <th>Dat.</th> <th>Name</th> </tr> <tr> <td></td> <td>22.10.01</td> <td>Gü</td> </tr> <tr> <td>Insp.</td> <td></td> <td>KR</td> </tr> <tr> <td>Stand.</td> <td></td> <td></td> </tr> </table>	Detail.	Dat.	Name		22.10.01	Gü	Insp.		KR	Stand.			<table border="1"> <tr> <th>Masstab/Scale</th> </tr> <tr> <td>1:1</td> </tr> </table>	Masstab/Scale	1:1	Han 24B-gg-21 Tüllengehäuse/ hoods		
Detail.	Dat.	Name																			
	22.10.01	Gü																			
Insp.		KR																			
Stand.																					
Masstab/Scale																					
1:1																					
30140			HARTING Electric GmbH & Co. KG D-32339 Espelkamp		TB 09 30 024 0420 Sub. TB 09 30 0.. 042. v. 03.02.93	Blatt/ page /															
Mod.	Dat.	Name																			