

**ALKALINE BATTERIES**

Panasonic Industrial Alkalines are designed with a power reservoir that enables them to last longer. High current and large capacity are standard, which means high performance for our customers. All Panasonic Alkaline batteries are made in the U.S.A. at our state-of-the-art manufacturing facility in Columbus, Georgia.



**Features:**

- High current
- Large capacity
- Stable voltage and current
- Excellent storage life
- Excellent resistance to leakage
- Contains less than 0.0005 Mercury by weight

**Applications:**

- Cameras
- Electric shavers
- Electronic calculators
- Electronic door locks
- Fire detectors
- High-power flashlights
- Pagers
- Strobes
- Tape recorders
- Toys
- Other cordless products

**Technical Data - Table 1**

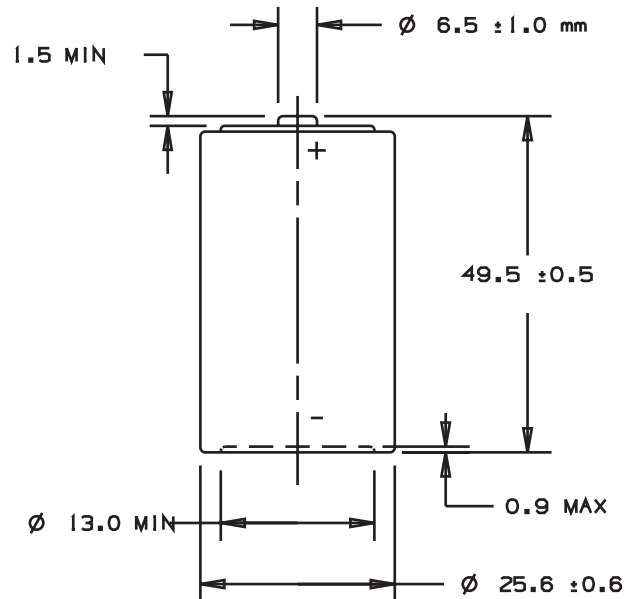
Model Number	V	Diameter in. (mm)	Height in. (mm)	Av.Wt. oz (gms)	
<a href="#">*AM-1PI (Size "D")</a>	1.5	1.311 (33.3 ±0.9)	2.407 (60.5 ±1.0)	4.97 (141)	
<a href="#">*AM-2PI (Size "C")</a>	1.5	1.004 (25.8 ±0.6)	1.969 (49.5 ±0.5)	2.47 (70)	
<a href="#">*AM-3PI (Size "AA")</a>	1.5	.571 (14.0 ±0.5)	1.988 (50 ±0.5)	0.80 (23)	
<a href="#">*AM-4PI (Size "AAA")</a>	1.5	.413 (10.20 ±0.3)	1.752 (44.10 ±0.4)	0.38 (11)	
*AM-5x (Size "N")	1.5	.472 (12.0)	1.189 (30.2)	0.01 (0.32)	
*Manufactured in the U.S.A.					

#### Panasonic Part AM-2PI



MADE IN THE USA

Dimensions Comply with ANSI Standards  
mm



Chemical System:	Alkaline-Zinc/Manganese Dioxide (Zn/MnO <sub>2</sub> )
Designation:	ANSI-14A, IEC-LR14
Nominal Voltage:	1.5V
Internal Resistance:	0.10 Ohms
Temperature Range:	-20°C to 54°C (-4°F to 130°F)
Average Weight:	70 grams (2.47 oz.)
Volume:	26.9 cm <sup>3</sup> (1.6 in. <sup>3</sup> )
Terminals:	Flat (Recessed Negative)
Shelf Life:	7 years (80% Capacity)
Heavy Metals Content:	No added Mercury, Cadmium or Lead

#### IEC/ANSI Standard Tests @ 20°C

