

DC BLOWERS



ODB600PT Series
120 x 120 x 32mm



OPERATING TEMPERATURE
-10C ~ +70C

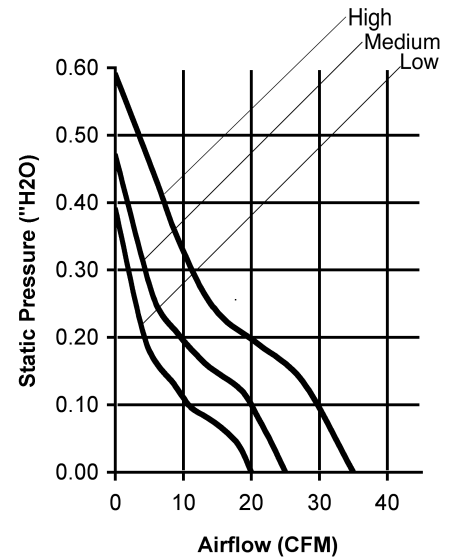
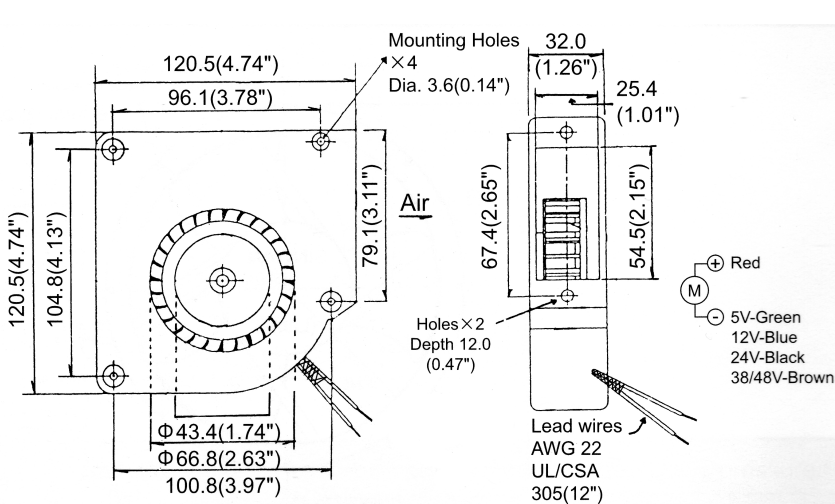
LIFE EXPECTANCY
60,000 hours (L10)

MOTOR
Brushless DC, Locked rotor and polarity protected, auto restart

INSULATION RESISTANCE
Min. 10M at 500VDC

DIELECTRIC STRENGTH
1 minute at 500VAC /
1 second, max leakage 500 microamp

MODEL NUMBER	SPEED (RPM)	AIRFLOW (CFM)	NOISE (DB)	VOLTS DC	VOLTAGE RANGE	AMPS	MAX. STATIC PRESSURE (H ₂ O)
ODB600PT-12HB	3000	35	49	12	8~14	0.60	0.59
ODB600PT-12MB	2500	25	42	12	8~14	0.47	0.47
ODB600PT-12LB	1800	20	30	12	8~14	0.20	0.39
ODB600PT-24HB	3000	35	49	24	10~29	0.37	0.59
ODB600PT-24MB	2500	25	42	24	10~29	0.30	0.47
ODB600PT-24LB	1800	20	30	24	10~29	0.20	0.39



CONTACT US AT 800-323-2439 OR
214-340-0265

WEB: WWW.ORIONFANS.COM

ORION FANS IS A REGISTERED TRADEMARK OF KNIGHT ELECTRONICS
10557 METRIC DRIVE, DALLAS, TEXAS 75243
INFORMATION AND DATA IS SUBJECT TO CHANGE
WITHOUT PRIOR NOTIFICATION.

