

DURACELL

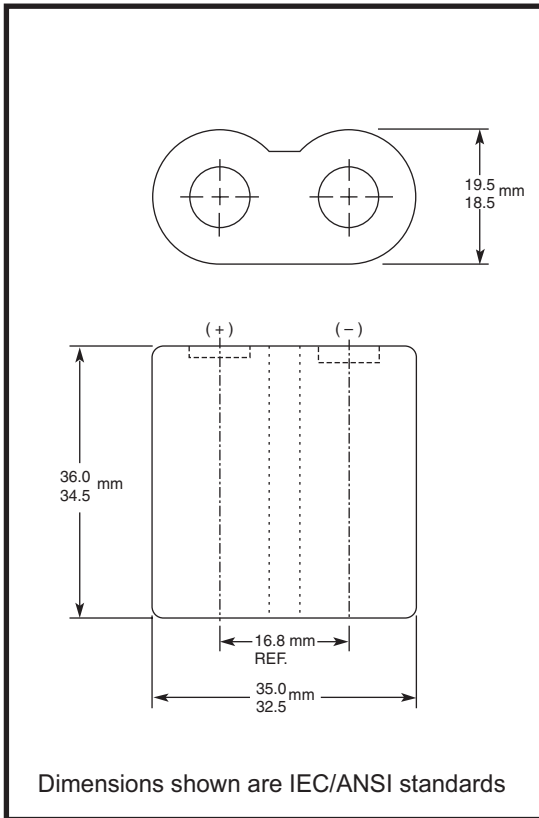
PHOTO

ULTRA

Ultra 223

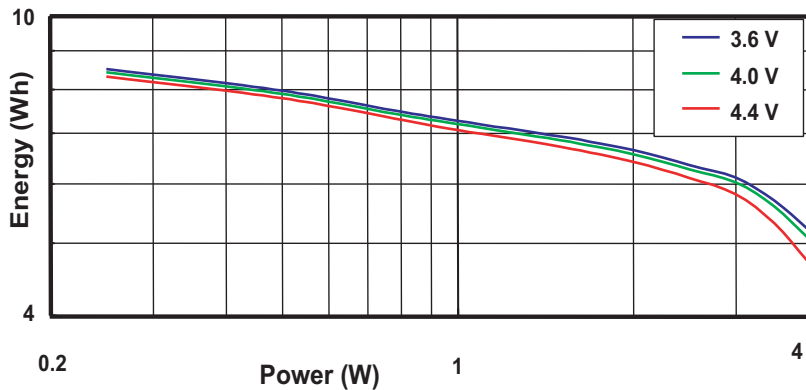
Lithium/Manganese Dioxide

Li/MnO₂

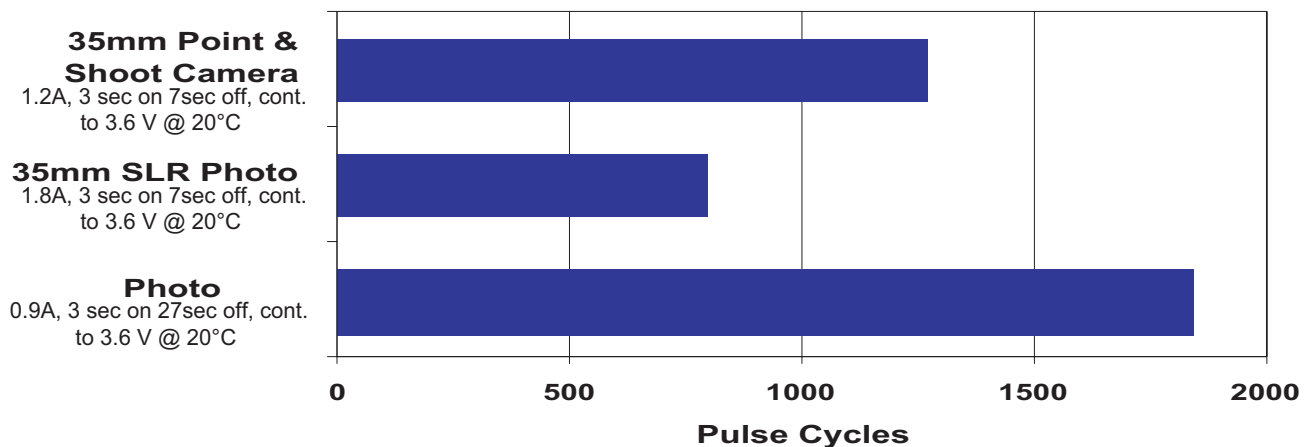


Nominal Voltage:	6 V
Typical Voltage:	6.4-6.6 V
Nominal Internal Impedance:	0.4 ohm @ 1kHz
Average Weight:	38 gm
Typical Volume:	22.6 cm ³
Terminals:	Flat, Recessed Contacts Nickel Plated Steel
Operating Temperature Range:	-20°C to 75°C (-4°F to 167°F)
NEDA/ANSI:	5024LC
IEC:	CR-P2

Delivered Energy vs. Power Drain
@ Various Cutoff Voltage - Room Temperature



Duracell Ultra 223 Typical Performance



* Delivered capacity is dependent on the applied load, operating temperature and cut-off voltage. Please refer to the charts and discharge data shown for examples of the energy / service life that the battery will provide for various load conditions.

This data is subject to change. Performance information is typical. Contact Duracell for the latest information