

Eaton 9130 Rackmount UPS



Product snapshot

Product rating:	700–3000 VA
Voltage	120 Vac, 208–240V
Frequency:	50/60 Hz (auto-sensing)
Configuration:	Rackmount

Advanced power protection for:

- IT and networking environments
- Rack servers, networking gear
- Telecommunications, VoIP, security systems
- Medical systems
- Diagnostics and medical screening
- Patient record archives
- Manufacturing systems
- Chip fabrication
- Pharmaceutical production
- Chemical processing

Features

- Protects against downtime, data loss and process interruption by providing continuous, clean power
- Provides up to 3000 VA in only 2U of rack space
- Offers premium performance with a 0.9 power factor and >95 percent efficiency in high efficiency mode
- Increases battery service life and system uptime with ABM® battery charging technology
- Enables prolonged runtime of essential equipment during power outages by allowing for orderly, remote shutdown of non-critical systems or processes
- Ensures data and system integrity with LanSafe® power management software
- Provides a two-year limited warranty, an extended warranty, on-site Flex and on-site PowerTrust service contracts, and a \$250,000 load protection guarantee (U.S. and Canada)

Maximum availability

- ABM technology increases battery life and system uptime
- Load segments allow for selective load shedding during outages
- Optional 2U, hot-swappable extended battery modules (EBMs) extend backup runtime for hours
- Internal hot-swappable batteries can be replaced without powering down the UPS
- UPS startup on battery power
- Optional HotSwap Maintenance Bypass (MBP) enables the entire UPS to be serviced or replaced without interrupting power to loads

Low total cost of ownership

- More real output power for dollar spent with 0.9 power factor
- Cuts energy usage and costs with >95% efficiency rating in high efficiency mode
- 3000 VA in only 2U of space saves expensive data center real estate





Hot-swappable internal batteries in only 2U



Add up to four EBM's for hours of runtime

UPS status and operation

- Bright, front panel LCD for easy monitoring and management
- LEDs to show system status
- Optional FlexPDU adds more plug-and-play flexibility, streamlining power distribution
- Multiple options for industry-standard communications
- LanSafe® monitoring and management software included free of charge
- Free NetWatch 5.0 software enables automatic shutdown of UPS-protected devices
- Direct monitoring via existing management systems and LANs



Eaton NetWatch Client 5.0 has tested compatible with Cisco Unified Communications Manager 4.3. Go to www.eaton.com/PQ/cisco for disclaimer.

Communications

- A standard communication slot accepts interfaces for Web, SNMP, Modbus or serial connectivity
- Connect directly to the Ethernet network and the Internet to monitor and manage the UPS with a standard Web browser
- Monitor power conditions in real time through existing facilities or building management system
- Monitor and gracefully shut down multiple servers running various operating systems
- Receive alarm notifications from the UPS, environmental monitoring devices or security systems

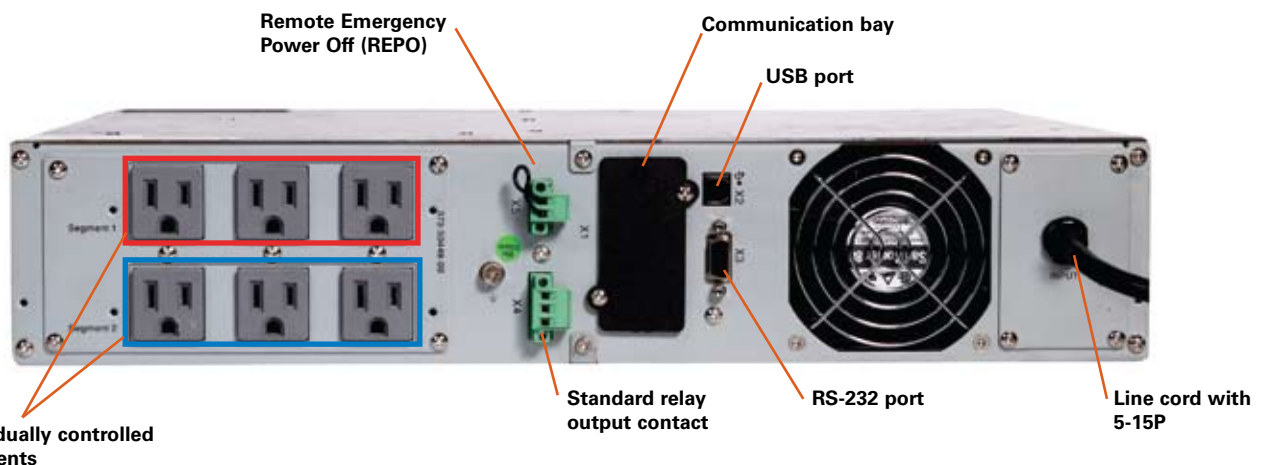
For more information on the 9130, please visit www.eaton.com/9130rm or call 800.356.5794.



Optional FlexPDU and HotSwap MBP for greater flexibility and uptime



Four-post rail kits included



UPS rear panel (PW9130L1500R-XL2U)

Battery runtimes (in minutes)

Load (VA/Watts)	Internal batteries	w/1 EBM	w/2 EBMs	w/3 EBMs	w/4 EBMs
PW9130L700R-XL2U					
700/490	14	55	102	148	175
525/368	20	77	140	179	239
350/245	32	124	189	282	414
175/123	64	200	395	552	739
PW9130L1000R-XL2U					
1000/700	10	40	73	108	149
750/525	13	58	101	152	219
500/350	24	85	172	249	304
250/175	48	190	310	451	569
PW9130G1000R-XL2U / XL2UEU / PW9130i1000R-XL2U					
1000/700	10	40	78	110	150
750/525	13	55	103	151	223
500/350	22	82	186	250	312
250/175	47	190	328	431	584
PW9130L1500R-XL2U					
1500/1050	7	34	63	88	135
1125/788	11	44	84	129	210
750/525	18	79	148	207	267
375/263	38	167	278	475	540
PW9130i1500R-XL2U					
1500/1050	7	32	61	98	128
1125/788	11	47	83	126	195
750/525	18	81	143	208	262
375/263	38	171	298	416	564
PW9130L2000R-XL2U					
2000/1400	9	45	86	124	163
1500/1050	14	66	115	165	225
1000/700	26	101	185	251	343
500/350	52	197	353	481	629

Load (VA/Watts)	Internal batteries	w/1 EBM	w/2 EBMs	w/3 EBMs	w/4 EBMs
PW9130G2000R-XL2U / PW9130G2000R-XL2UEU / PW9130i2000R-XL2U					
2000/1400	9	46	83	118	163
1500/1050	13	64	118	170	221
1000/700	25	95	190	242	345
500/350	53	205	346	488	625
PW9130L2500R-XL2U					
2500/2250	7	31	59	87	119
1875/1688	10	43	81	121	154
1250/1125	17	65	120	163	203
625/563	40	145	228	363	491
PW9130G2500R-XL2U / PW9130G2500R-XL2UEU					
2500/2250	7	31	59	87	119
1875/1688	10	43	81	121	154
1250/1125	17	65	120	163	203
625/563	40	145	228	363	491
PW9130L3000R-XL2U					
3000/2100	5	25	48	72	100
2250/1575	8	37	72	102	137
1500/1050	13	60	100	165	223
750/525	34	138	228	326	438
PW9130G3000R-XL2U / PW9130G3000R-XL2UEU / PW9130i3000R-XL2U					
3000/2100	6	25	45	68	96
2250/1575	8	34	70	96	130
1500/1050	14	62	92	156	211
750/525	34	130	212	355	442

Notes:

Backup times are approximate and may vary with equipment, configuration, battery age, temperature, etc.

Runtimes are shown at a 0.7 power factor.

9130 models

Catalog number	Style number	Rating (VA/Watts)	Input connection ¹	Output receptacles	Dimensions H x W x D, in (mm) ²	Weight, lb (kg)
North American models: 120V, 50/60 Hz						
PW9130L700R-XL2U	103006447-6591	700/630	5-15P	(6) 5-15R	3.4 x 17.2 x 17.7 (87 x 438 x 450)	35.3 (16.0)
PW9130L1000R-XL2U	103006448-6591	1000/900	5-15P	(6) 5-15R	3.4 x 17.2 x 17.7 (87 x 438 x 450)	35.3 (16.0)
PW9130L1500R-XL2U	103006449-6591	1500/1350	5-15P	(6) 5-15R	3.4 x 17.2 x 17.7 (87 x 438 x 450)	43.0 (19.5)
PW9130L2000R-XL2U	103006450-6591	2000/1800	5-20P	(6) 5-20R, (1) L5-20R	3.4 x 17.2 x 23.6 (87 x 438 x 600)	63.9 (29.0)
PW9130L2500R-XL2U	103006451-6591	2500/2250	L5-30P	(6) 5-20R, (1) L5-30R	3.4 x 17.2 x 23.6 (87 x 438 x 600)	65.0 (29.5)
PW9130L3000R-XL2U	103006452-6591	3000/2700	L5-30P	(6) 5-20R, (1) L5-30R	3.4 x 17.2 x 23.6 (87 x 438 x 600)	65.0 (29.5)
Global models: 208V, 50/60 Hz						
PW9130G1000R-XL2U	103006461-6591	1000/900	L6-20P ³	(1) L6-20R, (2) 6-20R	3.4 x 17.2 x 17.7 (87 x 438 x 450)	35.3 (16.0)
PW9130G2000R-XL2U	103006462-6591	2000/1800	L6-20P ³	(1) L6-20R, (4) 6-20R	3.4 x 17.2 x 23.6 (87 x 438 x 600)	63.9 (29.0)
PW9130G2500R-XL2U	103006453-6591	2500/2250	L6-20P ⁴	(1) L6-30R, (1) L6-20R, (2) 6-20R	3.4 x 17.2 x 23.6 (87 x 438 x 600)	65.0 (29.5)
PW9130G3000R-XL2U	103006454-6591	3000/2700	L6-20P ⁴	(1) L6-30R, (1) L6-20R, (2) 6-20R	3.4 x 17.2 x 23.6 (87 x 438 x 600)	65.0 (29.5)
PW9130G1000R-XL2UEU	103006480-6591	1000/900	L6-20P ³	(6) C13	3.4 x 17.2 x 17.7 (87 x 438 x 450)	35.3 (16.0)
PW9130G2000R-XL2UEU	103006481-6591	2000/1800	L6-20P ³	(8) C13, (1) C19	3.4 x 17.2 x 23.6 (87 x 438 x 600)	63.9 (29.0)
PW9130G2500R-XL2UEU	103006482-6591	2500/2250	L6-20P ⁴	(8) C13, (1) C19	3.4 x 17.2 x 23.6 (87 x 438 x 600)	65.0 (29.5)
PW9130G3000R-XL2UEU	103006483-6591	3000/2700	L6-20P ⁴	(8) C13, (1) C19	3.4 x 17.2 x 23.6 (87 x 438 x 600)	65.0 (29.5)
International models: 230V, 50/60 Hz						
PW9130i1000R-XL2U	103006455-6591	1000/900	C14	(6) C13	3.4 x 17.2 x 17.7 (87 x 438 x 450)	35.3 (16.0)
PW9130i1500R-XL2U	103006456-6591	1500/1350	C14	(6) C13	3.4 x 17.2 x 17.7 (87 x 438 x 450)	43.0 (19.5)
PW9130i2000R-XL2U	103006457-6591	2000/1800	C14	(8) C13, (1) C19	3.4 x 17.2 x 23.6 (87 x 438 x 600)	63.9 (29.0)
PW9130i3000R-XL2U	103006463-6591	3000/2700	C20	(8) C13, (1) C19	3.4 x 17.2 x 23.6 (87 x 438 x 600)	65.0 (29.5)
Extended battery modules						
PW9130N1000R-EBM2U ⁵	103006458-6591	NA	NA	NA	3.4 x 17.2 x 17.7 (87 x 438 x 450)	48.7 (22.1)
PW9130N1500R-EBM2U ⁶	103006459-6591	NA	NA	NA	3.4 x 17.2 x 17.7 (87 x 438 x 450)	62.0 (28.1)
PW9130N3000R-EBM2U ⁷	103006460-6591	NA	NA	NA	3.4 x 17.2 x 23.6 (87 x 438 x 600)	90.6 (41.1)

¹ Input cord length is 6 ft

² Rack models occupy 2U of rack space and fit into 19-inch racks

³ C14, w/detachable L6-20P

⁴ C20, w/detachable L6-20P

⁵ This EBM works with 700/1000 VA models, where available

⁶ This EBM works with 1500 VA model

⁷ This EBM works with 2000/2500/3000 VA models, where available

Additional notes: When high voltage 9130 is used at 208V, derate power by 10% and 20% at 200V. When low voltage 9130 is used at 110V, derate power by 10% and 20% at 100V.

Comprehensive Eaton services available for 9130 Rack products

- Warranty+ extended warranties—3 or 5 years total
- On-site service plans for startups and preventive and corrective maintenance

Visit www.eaton.com/9130rm for details.

Technical specifications¹

General

User interface	Graphical LCD with blue backlight and text in English, French, German, Russian and Spanish
LEDs	Four status-indicating LEDs
Topology	True online, double-conversion
Diagnostics	Full system self-test
UPS bypass	Automatic bypass
Dimensions	See models table
Rail kit	4-post rail kit included with all rackmount units
EBMs	Ship with a rail kit
Remote Emergency Power-off (REPO)	Emergency shutdown control through the REPO port

Electrical input

Nominal voltage	120V, 208V, 220–240V
Voltage range	120V: 90–138 Vac 208/230V: 160–276 Vac
Power draw of UPS	700: 5.8A @120V, 3.4A @208V, 3.0A @230V 1000: 8.3A @120V, 4.8A @208V, 4.3A @230V 1500: 12.5A @120V, 7.2A @208V, 6.5A @230V 2000: 16.6A @120V, 9.6A @208V, 8.7A @230V 2500: 20.8A @208V, 10.9A @230V 3000: 14.4A @208V, 13.0A @230V
Dedicated circuit breaker rating	120V: 700–1500 VA: 15A 2000 VA: 20A 2500–3000 VA: 30A 208/230V: 700–2000 VA: 10A 3000 VA: 16A
Frequency	50/60 Hz
Frequency range	45–65 Hz

Electrical output

Power factor	0.9
On utility voltage regulation	±3% of nominal
On battery voltage regulation	±3% of nominal
Efficiency	>95% in high-efficiency mode; >86% in online mode
Frequency regulation	±3% Hz online
Load crest factor	3 to 1
Voltage waveform	Sine wave
Load segments	Two configurable, individually controlled receptacles

Battery

Battery type	VRLA 12V/9 Ah (both internal and external)
Battery runtime	>3 minutes with internal batteries @100% load
Battery replacement	Hot-swappable internal and external batteries
Start-on-battery	Allows start of UPS without utility input

Communications

Serial port	RS-232 standard, for interface to power management software
USB port	HID standard, for communicating with Windows 98, XP, ME and Vista computers
Relay output	Common alarm standard
Communications slot	Optional communication slots (BD Slot)
Optional communication cards	SNMP/Web card for direct control and monitoring in SNMP-based networks, monitoring of UPS status and meters through Web browser interface Relay card for integration to industrial environment and building management systems, remote shutdown for IBM AS/400 systems

Environmental

Safety markings	120/208V: UL, CUL, VCCI 230V: CE, GS
EMC markings	120V: FCC Class B, EN55022 Class B (1.5 kVA and below); FCC Class A, EN55022 Class A (2.0 kVA and above) 230V: CE (per IEC/EN62040-2: Emissions, Category C1; Immunity, Category C2)
Audible noise	<50 dB
Ambient operating temperature	0°C (32°F) to +40°C (104°F)
Storage temperature	-20°C (-4°F) to +40°C (104°F) with batteries and -25°C (-13°F) to +55°C (131 °F) without batteries
Relative humidity	5–90% non-condensing

Heat dissipation for all voltages: 208–240V and 120V

9130 model	Normal mode, BTUs/hr	On battery, BTUs/hr
700 VA	350	554
1000 VA	500	674
1500 VA	750	1,011
2000 VA	838	1,348
2500 VA	1,047	1,463
3000 VA	1,257	1,755

¹ Due to continuing product improvement programs, specifications are subject to change without notice.

The 9130 is part of the UPSgrade™ program coming in Q2 2009.



PowerChain Management®

UNITED STATES
8609 Six Forks Road
Raleigh, NC 27615 U.S.A.
Toll Free: 1.800.356.5794

www.eaton.com/powerquality

CANADA
Ontario: 416.798.0112
Toll free: 1.800.461.9166

LATIN AMERICA
Argentina: 54.11.4124.4000
Brazil: 55.11.3616.8500
Caribbean: 1.949.452.9610
Mexico & Central America:
52.55.9000.5252
South Cone: 54.11.4343.6323

EUROPE/MIDDLE EAST/AFRICA
Denmark: 45.3686.7910
Finland: 358.94.52.661
France: 33.1.6012.7400
Germany: 49.0.7841.604.0
Italy: 39.02.66.04.05.40
Norway: 47.23.03.65.50
Portugal: 55.11.3616.8500
Sweden: 46.8.598.940.00
United Kingdom: 44.1753.608.700

ASIA PACIFIC
Australia: 61.2.9693.9366
New Zealand: 64.0.3.343.3314
China: 86.21.6361.5599
HK/Korea/Taiwan: 852.2745.6682
India: 91.11.2649.9414 to 18
Singapore/SEA: 65.6825.1668

Eaton, Powerware, ABM, LanSafe, UPSgrade and PowerChain Management are trade names, trademarks, and/or service marks of Eaton Corporation or its subsidiaries and affiliates. All other trademarks are property of their respective owners.



Powering Business Worldwide

© 2009 Eaton Corporation
All Rights Reserved
Printed in USA
9130RFXA
April 2009