

Mini Incandescents

T-1 3/4 Bulb

Line No.	Part Number	Category	Base Type	Design Volts	Design Amps	MSCD	Filament Type	Rated Life	Fig No.	Foot Notes
1	7382		Bi-Pin	14	0.08	0.3	C-2F	15,000	47	

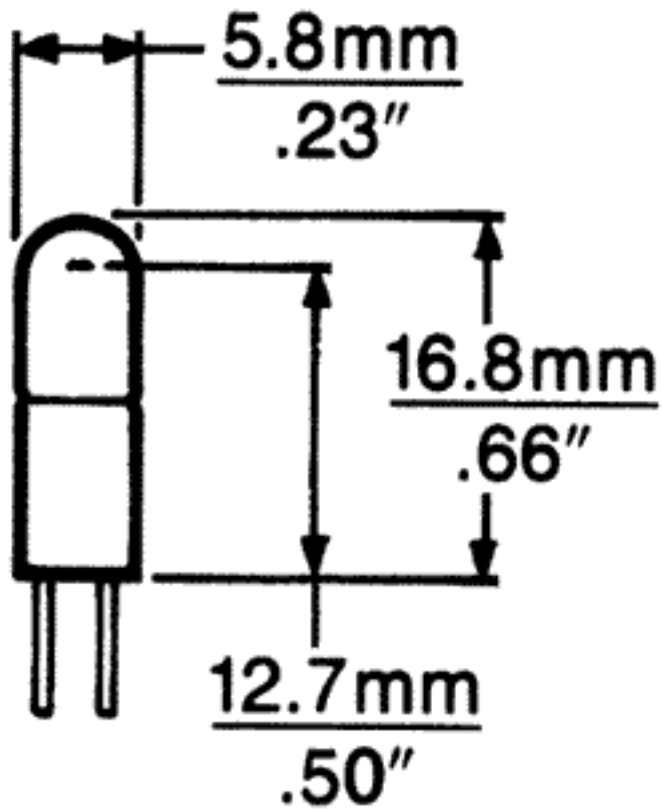


Fig. 47