

Item # 9415-003 6 figure, panel mount, push-button reset



6 figure, panel mount, push-button reset

A 6 figure, battery powered, push-button or key reset, electronic counter, available in base mount or panel mount configuration. No external power supply is required. Large 0.50 inch (12mm) LCD figures for fast, easy reading. Operates at 6-240 VAC or VDC. Long lasting internal lithium battery. Attractive styling and silent operation make these models equally well-suited for lab or office equipment applications.

Specifications

| | |
|------------------------------|--|
| Model No. | 94 |
| Mounting | Panel Mount |
| Display | 6 LCD figures, 0.50 inch (12mm) high |
| Display Height | 0.50 Inch |
| Display Height | 12 mm |
| No. of Digits | 6 |
| Voltage | 6-240 VAC/VDC |
| Vih | 6VAC/VDC min. |
| Vil | 2VAC/VDC max. |
| Battery | Internal Lithium Battery |
| Reset Type | Push-button |
| Speed | 0-40 counts/second (min. 12.5ms - on, 12.5ms - off) |
| Operating Temperature | -14 to +122 °F |
| Operating Temperature | -26 to +50 °C |
| Termination | (2) No. 22 AWG 221°F (105°C) wire leads, 8 inch (203mm) long |
| Mounting Hole Dia. | 0.17 Inch |
| Mounting Hole Dia. | 4.3 mm |
| Weight | 18 oz |
| Weight | 510 gm |
| Stock Availability | Yes |
| Panel Cutout | 3.0 x 1.75 Inch |
| Panel Cutout | 76.2 x 44.5 mm |



Description

A 6 figure, battery powered, push-button or key reset, electronic counter, available in base mount or panel mount configuration. No external power supply is required. Large 0.50" [12mm] LCD figures for fast, easy reading. Operates at 6-240 VAC or VDC. Long lasting internal lithium battery. Attractive styling and silent operation make these models equally well-suited for lab or office equipment applications.

Features

- No external power supply needed
- Long life lithium battery
- Large easy reading display
- Operates at 6 to 240 VAC or VDC

Options

- Non-reset
- Remote reset

Specifications

| | | | |
|-----------------|--|----------------------|--|
| Figures: | 6 LCD figures, 0.50" [12mm] high | Mounting: | Base or panel |
| Reset: | Push-button, or lock and key | Terminations: | (2) #22 AWG 221°F [105° C] wire leads, 8" [203mm] long |
| Speed: | 0-40 counts/second, (min. 12.5ms - on, 12.5ms - off) | Temp. Range: | -14°F to +122°F [-26°C to +50°C] |
| Input: | 6-240VAC or VDC | Power Source: | Internal lithium battery |
| | Vih 6VAC/VDC minimum | Weight: | 18 oz. [510g] |
| | Vil 2VAC/VDC maximum | | |

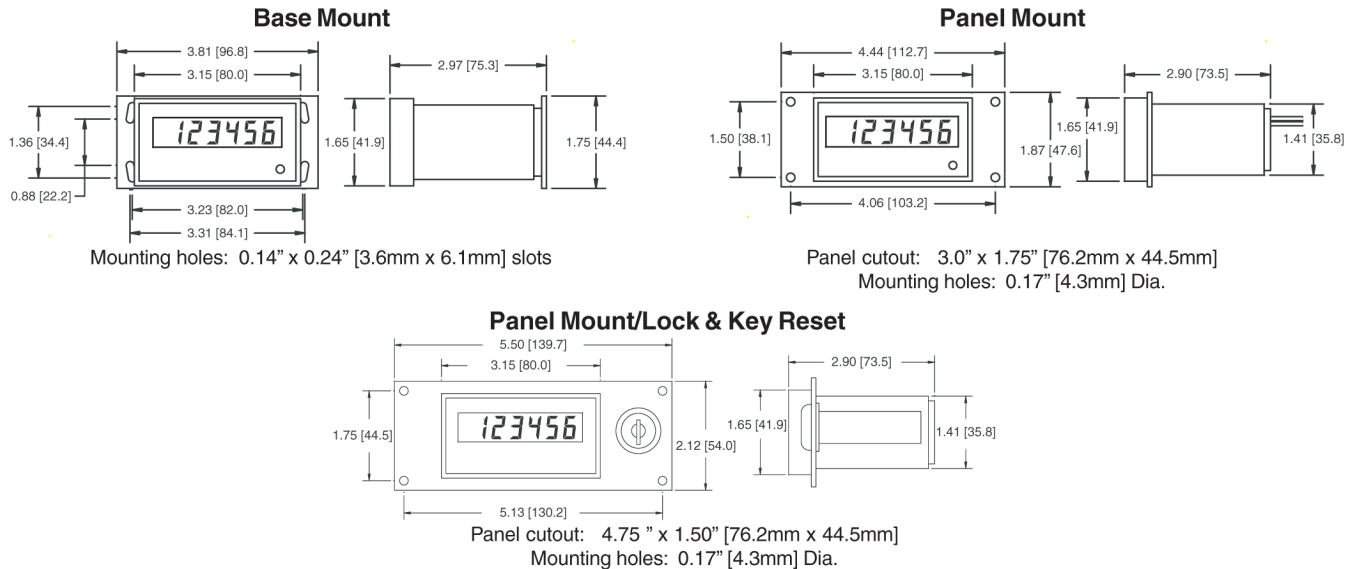
Note: When interfacing the Model 94 with a Solid State Relay or AC Sensor, the leakage current needs to be considered.

Models Description

| | |
|-----------------|---|
| 9415-001 | 6 figure, base mount, push-button reset |
| 9415-003 | 6 figure, panel mount, push-button reset |
| 9415-005 | 6 figure, panel mount, lock and key reset |

* Items in bold are normally in factory stock.

Dimensions

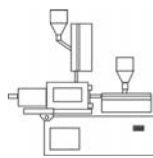


Applications

Office equipment



Production



Test labs



Control panels

