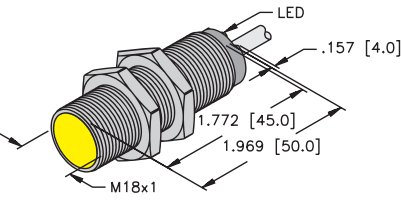
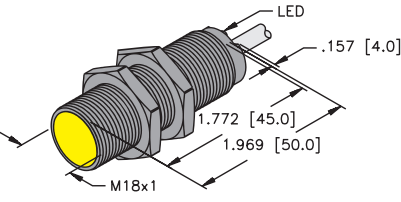


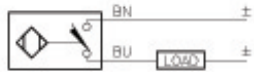
Inductive Sensors



Housing Style	Part Number	ID Number	Features	Sensing Range (mm)	Output	
18 mm - Embeddable, Potted-In Cable, Partial Threading 	Bi 5-M18-AD4X	T4411000		5	2-Wire DC	
	Bi 7-M18-AD4X	T4414535	Ext. Range	7		
	Bi 5U-EM18-AN6X	M1635320	Uprox	5	3-Wire DC NPN	
	Bi 5U-M18-AN6X	M1635120	Uprox	5		
	Bi 8-M18-AN6X	T4615130	Ext. Range	8		
	Bi 5-M18-AN6X	M4611100		5		
	Bi 5-M18-AP6X/S100	M4611004	High Temp. 100°C	5	3-Wire DC PNP	
	Bi 5U-EM18-AP6X	M1635300	Uprox	5		
	Bi 5U-M18-AP6X	M1635100	Uprox	5		
	Bi 8-M18-AP6X	T4615030	Ext. Range	8		
	Bi 5-M18-VN4X	T1571100	Comp. Outputs	5	4-Wire DC NPN	
	Bi 8-M18-VN4X	T4590703	Comp. Outputs	8		
	Bi 5-M18-VP4X	T1561100	Comp. Outputs	5	4-Wire DC PNP	
	Bi 8-M18-VP4X	T4590704	Comp. Outputs	8		
	18 mm - Embeddable, Potted-In Cable, Partial Threading, Teflon Coated 	Bi 5U-MT18-ADZ30X2	M4209410	Uprox	5	2-Wire AC/DC

Output	Switching Freq. (Hz)	Operating Current (mA)	Operating Temp. (°C)	Protection	Housing	Face	End Cap	Power LED	Output LED	Cable Length/ Cable /Mat.	Wiring Diagram #	Wiring Diagrams
10-65 VDC	1000	≤100	-25 to +70	IP 67	CPB	PA 12	EPTR	N/A	YE	2M/PVC	1	Diagram 1
	1000	≤100	-25 to +70	IP 67	CPB	PA 12	EPTR	N/A	YE	2M/PVC	1	
10-30 VDC	2500	≤200	-30 to +85	IP 68	SS	PA 12	EPTR	N/A	YE	2M/PVC	2	Diagram 2
	2500	≤200	-30 to +85	IP 67	CPB	PA 12	EPTR	N/A	YE	2M/PVC	2	
	500	≤200	-25 to +70	IP 67	SS	PA 12	EPTR	N/A	YE	2M/PVC	2	
	1000	≤200	-25 to +70	IP 67	CPB	PA 12	EPTR	N/A	YE	RK 4T-*	2	
10-30 VDC	1000	≤200	-25 to +100	IP 67	CPB	IRPA	EPTR	N/A	YE	2M/PVC	3	Diagram 3
	2500	≤200	-30 to +85	IP 68	SS	PA 12	EPTR	N/A	YE	2M/PVC	3	
	2500	≤200	-30 to +85	IP 67	CPB	PA 12	EPTR	N/A	YE	2M/PVC	3	
	500	≤200	-25 to +70	IP 67	SS	PA 12	EPTR	N/A	YE	2M/PVC	3	
10-65 VDC	1000	≤200	-25 to +70	IP 67	CPB	PA 12	EPTR	N/A	YE	2M/PVC	4	Diagram 4
	500	≤200	-25 to +70	IP 67	SS	PA 12	EPTR	N/A	YE	2M/PVC	4	
10-65 VDC	1000	≤200	-25 to +70	IP 67	CPB	PA 12	EPTR	N/A	YE	2M/PVC	5	Diagram 5
	500	≤200	-25 to +70	IP 67	SS	PA 12	EPTR	N/A	YE	2M/PVC	5	
20-250 VAC 10-300 VDC	20	≤400/300	-30 to +85	IP 67	TC	TC	EPTR	GN	YE	2M/PVC	6	Diagram 6

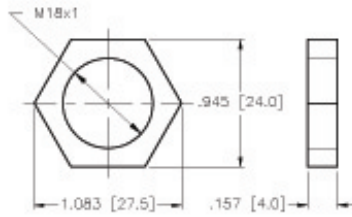
WIRING DIAGRAM



OUTPUT: AD4X

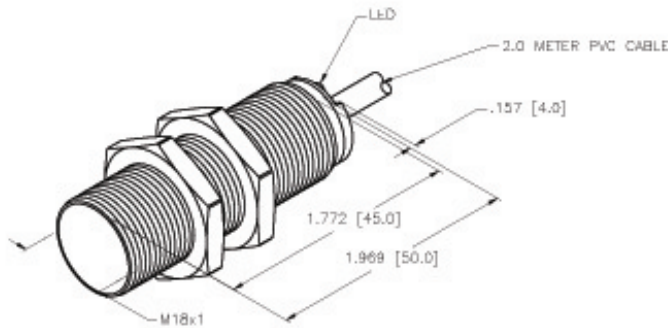
SHORT-CIRCUIT AND OVERLOAD PROTECTED

LOCKNUT LN-M18



SPECIFICATIONS

RATED OPERATING DISTANCE	5mm [.197"]
INDUING MODE	FLUSH
TEMPERATURE DRIFT	±10%
HYSTERESIS	1-15%
MIN. REPEAT ACCURACY	±3%
OPERATING TEMPERATURE	-25°C to +70°C (-13°F to +158°F)
RATED OPERATIONAL VOLTAGE	10-65 VDC
RESIDUAL RIPPLE	±10%
DC RATED OPERATIONAL CURRENT	≤100 mA
RESIDUAL CURRENT	≤0.6 mA
RATED INSULATION VOLTAGE	≤0.5 kV
SHORT-CIRCUIT PROTECTION	YES
MAX. VOLTAGE DROP	≤5.0 V
OUTPUT FUNCTION	2-WIRE, NORMALLY OPEN, 2-WIRE
SMALLEST OPERATING CURRENT	≥3.0 mA
MAX. SWITCHING FREQUENCY	≤1.0 kHz
HOUSING MATERIAL/PLATING	BRASS/CHROME
ACTIVE FACE MATERIAL	PLASTIC, PA12-GF30
END CAP MATERIAL	PLASTIC, EPTF
CABLE	#5.2, UFFY, PVC
VIBRATION RESISTANCE	55 Hz (IN ALL 3 PLANES)
SHOCK RESISTANCE	30 g, 11 ms
DEGREE OF PROTECTION	IP 67
SWITCHING STATUS INDICATION	LED: YELLOW



CABLE LENGTH	TOLERANCE
ALL LENGTHS	+ .4% (OR 50mm) OF LENGTH - .0% (OR 0mm) OF LENGTH WHICHEVER IS GREATER
STRIP LENGTH	TOLERANCE
0-1mm	±0.05mm
2-20mm	±1.0mm
35-44mm	±2.0mm
50-66mm	±3.0mm
75-104mm	±4.0mm
OVER 105mm	±5.0mm

SOURCE DRAWING - FOR REFERENCE ONLY

NOTE: 1. THIS SENSOR MAY BE USED AS A SINKING OR SOURCING DEVICE.
(SEE WIRING DIAGRAM)

RELATED DOCUMENTS 1. 2. 3. 4.	3RD ANGLE PROJECTION 	THIS DRAWING IS PROPERTY OF TURCK INC. USE OF THIS DOCUMENT WITHOUT WRITTEN PERMISSION IS PROHIBITED.		TURCK INC High Technology Sensors and Automation Controls	
MATERIAL	TOLERANCES UNLESS OTHERWISE SPECIFIED: .X ±0.02 .XX ±0.01 .XXX ±0.005 ANGLES ±1°	DRAWN SC	DATE 04/29/87	DESCRIPTION BI 5-M18-AD4X	
FINISH	ALL MILLIMETER DIMENSIONS ARE REFERENCED ONLY	USIN -	SCALE 1=1.0	IDENTIFICATION NO. T4411000	REV C
UNIT OF MEASUREMENT INCH [MILLIMETER]		DO NOT SCALE THIS DRAWING		FILE: T4411000	SHEET 1 OF 1

C	UPDATE DRAWING	IK	06/29/00	T3745
REV	DESCRIPTION	BY	DATE	EDD NO.