

Clip-On Series

Fingerstock gaskets and electrical grounding contacts



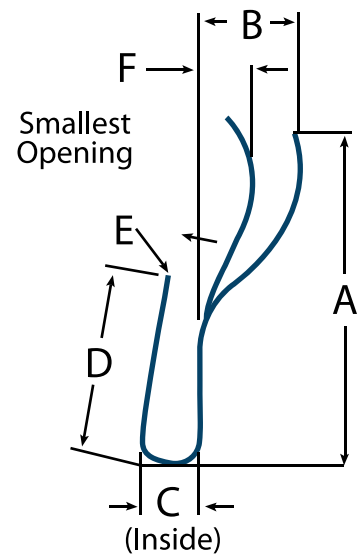
Leader Tech's high-performance Clip-On Series gaskets are engineered for edge-mount applications that require secure mounting without the use of adhesives or fasteners. The easy to install electrically conductive gaskets are available with Hold Tight "D" or "T" shaped lances and provide a shielding effectiveness of >100 dB at 100 MHz. To reduce the effects of unwanted galvanic conditions, these gaskets can be ordered in your choice of 12 surface plating finishes for optimal metal to metal compatibility.

Hold Tight "D" Lance

The "D" shaped lance option offers superior gripping strength. The "D" lance securely fits into drilled or punched holes in the mounting surface and creates a 360° grip that provides reliable conductivity.

Hold Tight "T" LANCE

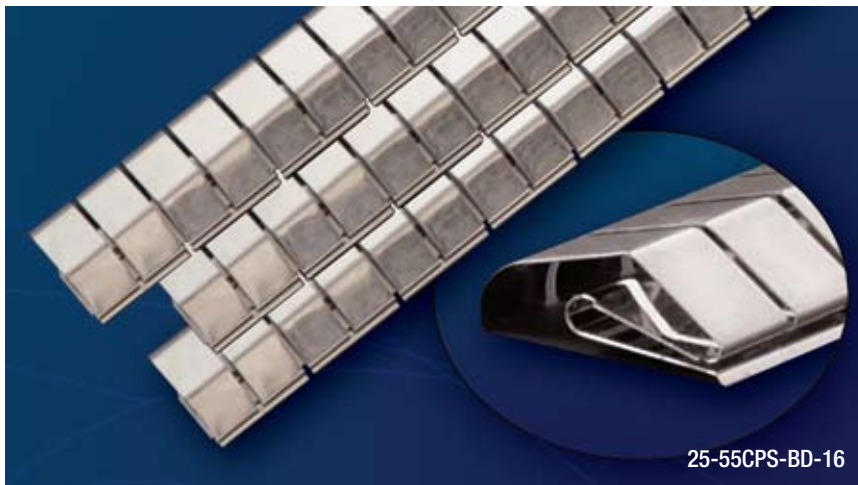
The "T" shaped lance is primarily specified for applications that require the use of softer materials such as aluminum and plated plastic. The "T" lance tightly grips the mounting surface while providing complete electrical contact.



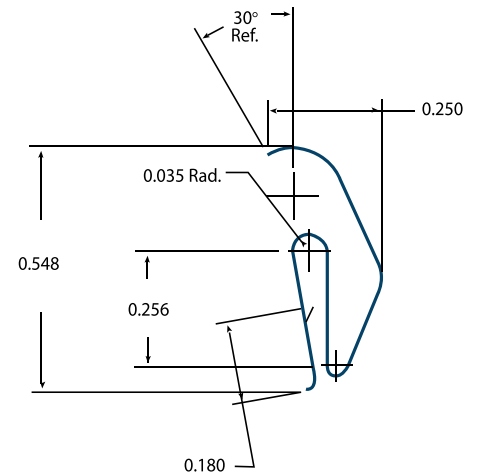
CLIP-ON SERIES	A	B	C	D	E	F	APPROX. LENGTH
10-30CT-BD-16	0.300 (7.620)	0.100 (2.540)	0.070 (1.778)	0.190 (4.826)	0.005 (0.127)	0.060 (1.524)	16.000 (406.400)
10-30CD-BD-16	0.300 (7.620)	0.100 (2.540)	0.070 (1.778)	0.190 (4.826)	0.005 (0.127)	0.060 (1.524)	16.000 (406.400)
11-45CT-BD-16	0.440 (11.176)	0.120 (3.048)	0.070 (1.778)	0.230 (5.842)	0.005 (0.127)	0.070 (1.778)	16.000 (406.400)
11-45CD-BD-16	0.440 (11.176)	0.120 (3.048)	0.070 (1.778)	0.230 (5.842)	0.005 (0.127)	0.075 (1.905)	16.000 (406.400)

Clip-On Series

Perpendicular Shielding Gaskets



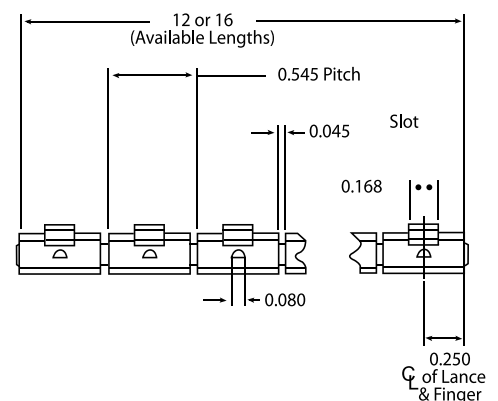
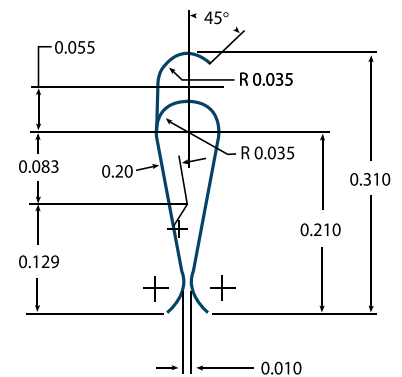
This gasket features a unique clip-on design variation that provides reliable electrical contact and shielding between perpendicular surfaces.



- Finger design allows for continuous contact across the length of the strip
- “D” lance provides superior retention of gasket to the mounting surface
- Available in several surface finish plating option
- .080 D-clip is retained with .100 D-hole

Clip-On Series

Perpendicular Electrical Grounding Strips



- Finger extension provides grounding from card or PCB to a backplane housing surface
- Wide clip-on area with “D” lance offers reliable retention
- Available in 12” or 16” lengths
- Several surface finish plating options are available
- .0035 material offers significant resiliency