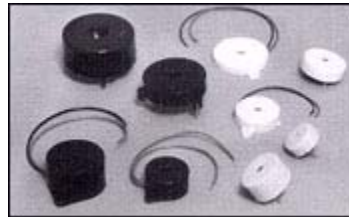


**EXTERNAL DRIVE PIEZO ELECTRIC**



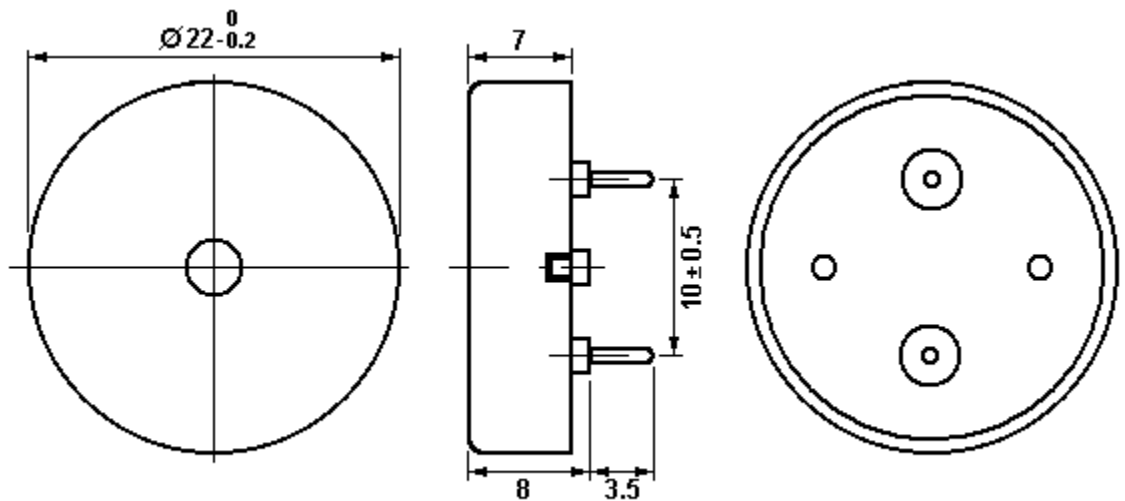
**ROHS COMPLIANT**

**PART NUMBER:**  
**BRP2207P-30**

**SPECIFICATIONS:**

RATED VOLTAGE:	30 Vp-p VD
SOUND OUTPUT LEVEL:	95dB @30CM
TERMINAL TYPE:	2 PINS
RESONANT FREQUENCY:	4000 ± 500 Hz
OPERATING TEMPERATURE:	-40 TO +120 °C
ELECTROSTATIC CAPACITY:	12,000 ± 30%
FRAME DIAMETER:	22.0 mm
FRAME DEPTH:	7.0 mm
MOUNTING DIMENSIONS:	10.0 mm

**DIMENSIONS:**



**Weight: 3 gms**