

### F8-20

#### Description:

The F8-20 Quick Pack small power transformer offers a significant reduction in size and weight over a standard transformer. This transformer can be used for a wide variety of applications. It is bobbin wound for reduced size and small operating space.

#### Electrical Specifications (@25C):

**Maximum Power:** 100.0VA

**Input Voltage:** 115VAC @50/60Hz

**Output Voltage:** 20.0VCT@5.0A

#### Construction:

Split bobbing non concentric winding eliminates costly electrostatic shielding. Termination is suitable for quick connects or soldering.

#### Safety:

UL Class B E53148

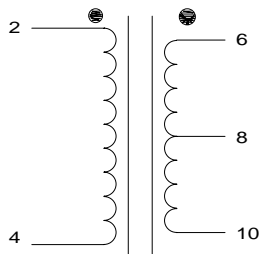


#### Dimensions:

| A     | B     | C     | D     | E     | F        | G     |
|-------|-------|-------|-------|-------|----------|-------|
| 2.562 | 3.562 | 4.031 | 2.250 | 3.062 | .187 Dia | 1.312 |

- Notes:**
1. Units: inches.
  2. Terminal size: .187" X 0.21".
  3. Weight: 2.75 lbs

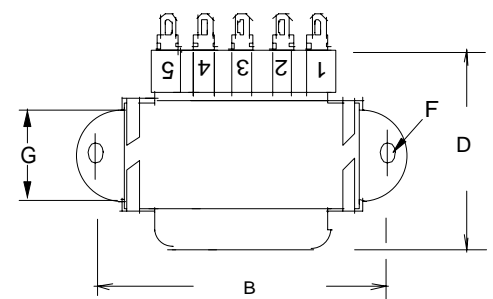
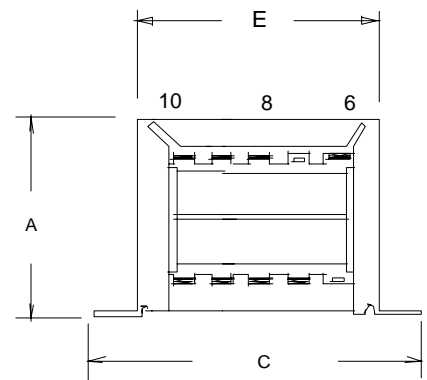
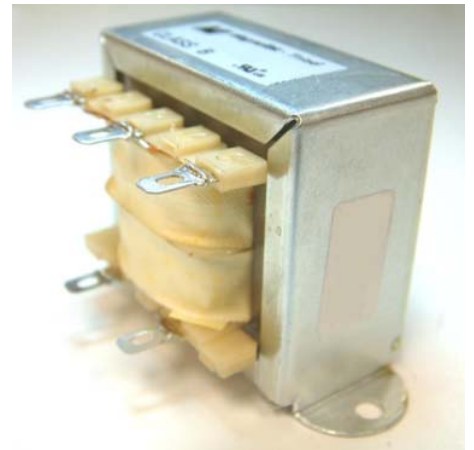
#### Schematic:



**Input:** 2 to 4

**Output:** 6 to 10

**RoHS Compliance:** As of manufacturing date February 2005, all standard products meet the requirements of 2002/95/EC, known as the RoHS initiative.



# Power Transformers

Class B  
UL Recognized



UL File E53148

## Chassis Mount: Quick Pack™



### :: Description

The Triad Quick Pack small power transformer series offers a significant reduction in size and weight for a given VA rating. These transformers are available in six sizes for a wide variety of applications. They are bobbin wound for reduced size and small operating space. Split bobbin nonconcentric winding eliminates costly electrostatic shielding. Termination is suitable for quick connects or soldering.

### :: Specifications

**Primary:** 115 V, 115/230 V, 50/60 Hz

**VA Range:** 2.4 to 100.0

**Output Rating Range:** 10.0 V CT to 120.0 V CT

### :: Quick Pack

| Section | Single Primary<br>115 V | Dual Primary<br>115/230 V | VA   | Output Rating     | Dimensions                     |                                |                                |                                |                                |                                | Wt.<br>Lbs. |
|---------|-------------------------|---------------------------|------|-------------------|--------------------------------|--------------------------------|--------------------------------|--------------------------------|--------------------------------|--------------------------------|-------------|
|         |                         |                           |      |                   | L                              | W                              | H                              | A                              | B                              | ML                             |             |
| A       | F3-10                   | •                         | 2.4  | 10.0V CT @ 0.25A  | 2 <sup>1</sup> / <sub>16</sub> | 1 <sup>1</sup> / <sub>16</sub> | 1 <sup>1</sup> / <sub>16</sub> | 1 <sup>3</sup> / <sub>8</sub>  | <sup>5</sup> / <sub>16</sub>   | 1 <sup>3</sup> / <sub>4</sub>  | 0.25        |
|         | F3-12                   | •                         |      | 12.6V CT @ 0.2A   |                                |                                |                                |                                |                                |                                |             |
|         | F3-16                   | •                         |      | 16.0V CT @ 0.15A  |                                |                                |                                |                                |                                |                                |             |
|         | F3-20                   | •                         |      | 20.0V CT @ 0.12A  |                                |                                |                                |                                |                                |                                |             |
|         | F3-24                   | •                         |      | 24.0V CT @ 0.1A   |                                |                                |                                |                                |                                |                                |             |
|         | F3-28                   | •                         |      | 28.0V CT @ 0.085A |                                |                                |                                |                                |                                |                                |             |
|         | F3-36                   | •                         |      | 36.0V CT @ 0.065A |                                |                                |                                |                                |                                |                                |             |
|         | F3-48                   | •                         |      | 48.0V CT @ 0.05A  |                                |                                |                                |                                |                                |                                |             |
|         | F3-56                   | •                         |      | 56.0V CT @ 0.045A |                                |                                |                                |                                |                                |                                |             |
|         | F3-120                  | •                         |      | 120.0V CT @ 0.02A |                                |                                |                                |                                |                                |                                |             |
| B       | F4-10                   | FD4-10                    | 6.0  | 10.0V CT @ 0.6A   | 2 <sup>7</sup> / <sub>8</sub>  | 1 <sup>1</sup> / <sub>4</sub>  | 1 <sup>3</sup> / <sub>8</sub>  | 1 <sup>1</sup> / <sub>16</sub> | <sup>1</sup> / <sub>16</sub>   | 2                              | 0.44        |
|         | F4-12                   | FD4-12                    |      | 12.6V CT @ 0.5A   |                                |                                |                                |                                |                                |                                |             |
|         | F4-16                   | FD4-16                    |      | 16.0V CT @ 0.4A   |                                |                                |                                |                                |                                |                                |             |
|         | F4-20                   | FD4-20                    |      | 20.0V CT @ 0.3A   |                                |                                |                                |                                |                                |                                |             |
|         | F4-24                   | FD4-24                    |      | 24.0V CT @ 0.25A  |                                |                                |                                |                                |                                |                                |             |
|         | F4-28                   | FD4-28                    |      | 28.0V CT @ 0.2A   |                                |                                |                                |                                |                                |                                |             |
|         | F4-36                   | FD4-36                    |      | 36.0V CT @ 0.17A  |                                |                                |                                |                                |                                |                                |             |
|         | F4-48                   | FD4-48                    |      | 48.0V CT @ 0.125A |                                |                                |                                |                                |                                |                                |             |
|         | F4-56                   | FD4-56                    |      | 56.0V CT @ 0.11A  |                                |                                |                                |                                |                                |                                |             |
|         | F4-120                  | FD4-120                   |      | 120.0V CT @ 0.05A |                                |                                |                                |                                |                                |                                |             |
| C       | F5-10                   | FD5-10                    | 12.0 | 10.0V CT @ 1.2A   | 2 <sup>5</sup> / <sub>16</sub> | 1 <sup>3</sup> / <sub>8</sub>  | 1 <sup>3</sup> / <sub>8</sub>  | 1 <sup>5</sup> / <sub>16</sub> | <sup>3</sup> / <sub>16</sub>   | 2 <sup>3</sup> / <sub>8</sub>  | 0.70        |
|         | F5-12                   | FD5-12                    |      | 12.6V CT @ 1.0A   |                                |                                |                                |                                |                                |                                |             |
|         | F5-16                   | FD5-16                    |      | 16.0V CT @ 0.8A   |                                |                                |                                |                                |                                |                                |             |
|         | F5-20                   | FD5-20                    |      | 20.0V CT @ 0.6A   |                                |                                |                                |                                |                                |                                |             |
|         | F5-24                   | FD5-24                    |      | 24.0V CT @ 0.5A   |                                |                                |                                |                                |                                |                                |             |
|         | F5-28                   | FD5-28                    |      | 28.0V CT @ 0.42A  |                                |                                |                                |                                |                                |                                |             |
|         | F5-36                   | FD5-36                    |      | 36.0V CT @ 0.35A  |                                |                                |                                |                                |                                |                                |             |
|         | F5-48                   | FD5-48                    |      | 48.0V CT @ 0.25A  |                                |                                |                                |                                |                                |                                |             |
|         | F5-56                   | FD5-56                    |      | 56.0V CT @ 0.22A  |                                |                                |                                |                                |                                |                                |             |
|         | F5-120                  | FD5-120                   |      | 120.0V CT @ 0.1A  |                                |                                |                                |                                |                                |                                |             |
| D       | F6-10                   | FD6-10                    | 30.0 | 10.0V CT @ 3.0A   | 3 <sup>1</sup> / <sub>4</sub>  | 1 <sup>1</sup> / <sub>16</sub> | 1 <sup>5</sup> / <sub>16</sub> | 2 <sup>7</sup> / <sub>16</sub> | 1 <sup>1</sup> / <sub>16</sub> | 2 <sup>5</sup> / <sub>16</sub> | 1.10        |
|         | F6-12                   | FD6-12                    |      | 12.6V CT @ 2.5A   |                                |                                |                                |                                |                                |                                |             |
|         | F6-16                   | FD6-16                    |      | 16.0V CT @ 2.0A   |                                |                                |                                |                                |                                |                                |             |
|         | F6-20                   | FD6-20                    |      | 20.0V CT @ 1.5A   |                                |                                |                                |                                |                                |                                |             |
|         | F6-24                   | FD6-24                    |      | 24.0V CT @ 1.25A  |                                |                                |                                |                                |                                |                                |             |
|         | F6-28                   | FD6-28                    |      | 28.0V CT @ 1.1A   |                                |                                |                                |                                |                                |                                |             |
|         | F6-36                   | FD6-36                    |      | 36.0V CT @ 0.85A  |                                |                                |                                |                                |                                |                                |             |
|         | F6-48                   | FD6-48                    |      | 48.0V CT @ 0.63A  |                                |                                |                                |                                |                                |                                |             |
|         | F6-56                   | FD6-56                    |      | 56.0V CT @ 0.54A  |                                |                                |                                |                                |                                |                                |             |
|         | F6-120                  | FD6-120                   |      | 120.0V CT @ 0.25A |                                |                                |                                |                                |                                |                                |             |
| E       | F7-10                   | FD7-10                    | 56.0 | 10.0V CT @ 5.0A   | 3 <sup>1</sup> / <sub>16</sub> | 1 <sup>5</sup> / <sub>16</sub> | 2 <sup>1</sup> / <sub>4</sub>  | 2 <sup>1</sup> / <sub>16</sub> | 1 <sup>1</sup> / <sub>16</sub> | 3 <sup>3</sup> / <sub>8</sub>  | 1.70        |
|         | F7-12                   | FD7-12                    |      | 12.6V CT @ 4.0A   |                                |                                |                                |                                |                                |                                |             |
|         | F7-16                   | FD7-16                    |      | 16.0V CT @ 3.5A   |                                |                                |                                |                                |                                |                                |             |
|         | F7-20                   | FD7-20                    |      | 20.0V CT @ 2.8A   |                                |                                |                                |                                |                                |                                |             |
|         | F7-24                   | FD7-24                    |      | 24.0V CT @ 2.4A   |                                |                                |                                |                                |                                |                                |             |
|         | F7-28                   | FD7-28                    |      | 28.0V CT @ 2.0A   |                                |                                |                                |                                |                                |                                |             |
|         | F7-36                   | FD7-36                    |      | 36.0V CT @ 1.5A   |                                |                                |                                |                                |                                |                                |             |
|         | F7-48                   | FD7-48                    |      | 48.0V CT @ 1.2A   |                                |                                |                                |                                |                                |                                |             |
|         | F7-56                   | FD7-56                    |      | 56.0V CT @ 1.0A   |                                |                                |                                |                                |                                |                                |             |
|         | F7-120                  | FD7-120                   |      | 120.0V CT @ 0.5A  |                                |                                |                                |                                |                                |                                |             |

CT = Center Tap    Mounting hole size: <sup>3</sup>/<sub>16</sub>"

**:: Quick Pack continued**

| Section | Single Primary<br>115 V | Dual Primary<br>115/230 V | VA    | Output Rating     | Dimensions |     |      |      |      |      | Wt.<br>Lbs. |
|---------|-------------------------|---------------------------|-------|-------------------|------------|-----|------|------|------|------|-------------|
|         |                         |                           |       |                   | L          | W   | H    | A    | B    | ML   |             |
| A       | F8-10                   | F8-10                     | 100.0 | 10.0V CT @ 10.0A  | 4/32       | 2/4 | 2/16 | 3/16 | 1/16 | 3/16 | 2.75        |
|         | F8-12                   | F8-12                     |       | 12.6V CT @ 8.0A   |            |     |      |      |      |      |             |
|         | F8-16                   | F8-16                     |       | 16.0V CT @ 6.25A  |            |     |      |      |      |      |             |
|         | F8-20                   | F8-20                     |       | 20.0V CT @ 5.0A   |            |     |      |      |      |      |             |
|         | F8-24                   | F8-24                     |       | 24.0V CT @ 4.0A   |            |     |      |      |      |      |             |
|         | F8-28                   | F8-28                     |       | 28.0V CT @ 3.6A   |            |     |      |      |      |      |             |
|         | F8-36                   | F8-36                     |       | 36.0V CT @ 2.8A   |            |     |      |      |      |      |             |
|         | F8-48                   | F8-48                     |       | 48.0V CT @ 2.0A   |            |     |      |      |      |      |             |
|         | F8-56                   | F8-56                     |       | 56.0V CT @ 1.8A   |            |     |      |      |      |      |             |
|         | F8-120                  | F8-120                    |       | 120.0V CT @ 0.85A |            |     |      |      |      |      |             |

CT = Center Tap    Mounting hole size: 3/16"

**:: Outline Dimensions**

**Technical Notes**

1. Hi-pot tested at 2,500 VRMS.
2. Class B insulation for maximum temperature of 130°C.
3. Terminal size is .187" x .021".

