

Product Searches

- [7/16](#)
- [1.0/2.3](#)
- [1.6/5.6](#)
- [AFI](#)
- [AMC](#)
- [BNC / RP-BNC](#)
- [C](#)
- [FAKRA SMB](#)
- [FME](#)
- [HN](#)
- [MCX](#)
- [Mini BNC](#)
- [Mini-UHF](#)
- [Mini 75 Ohm](#)
- [SMB](#)
- [MMCX](#)
- [Precision \(APC\)](#)
- [QMA](#)
- [QWS](#)
- [SC](#)
- [SMA / RP-SMA](#)
- [SMB](#)
- [SMC](#)
- [SMP](#)
- [SSMB](#)
- [TNC / RP-TNC](#)
- [Triax](#)
- [Twin BNC](#)
- [Twinax](#)
- [Type F](#)
- [Type G](#)
- [Type N](#)
- [UHF](#)
- -----
- [Adapters](#)
- [Cable Assemblies](#)
- [Tools](#)
- [Accessories](#)
- -----
- [Product Search](#)
- -----
- [Inventory Search](#)

product details

← back

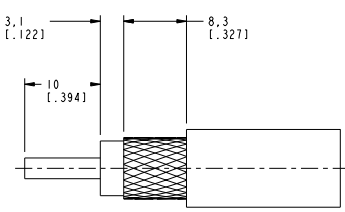
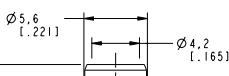
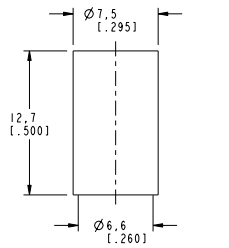


Please note: Images are for reference only

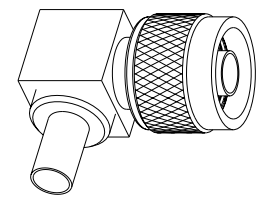
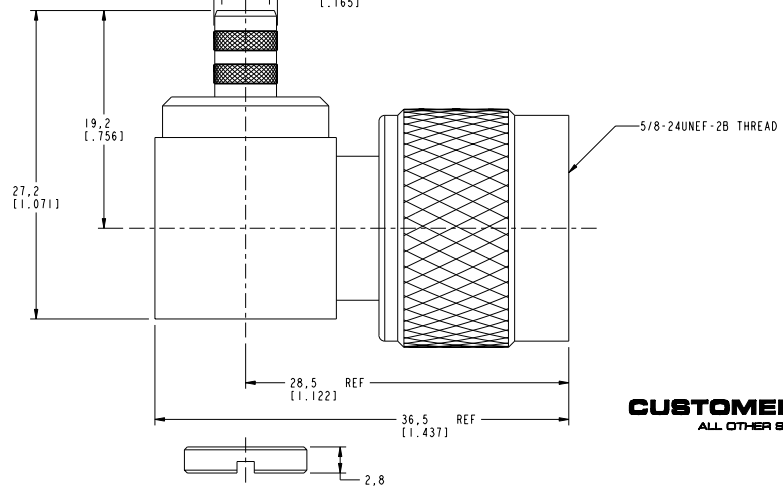
<b>Amphenol Part Number:</b>	082-6157
<b>Product Series:</b>	<a href="#">Type N</a>
<b>Product Type:</b>	<a href="#">Connectors</a> » <a href="#">Cable</a>
<b>Application:</b>	<a href="#">Crimp</a>
<b>Body Plating:</b>	<a href="#">Nickel</a>
<b>Body Termination:</b>	<a href="#">Crimp</a>
<b>Cable Group:</b>	<a href="#">G2</a>
<b>Cable Type:</b>	<a href="#">Belden 9258, RG-8X</a>
<b>Connector Body Style:</b>	<a href="#">Angle</a>
<b>Contact Plating:</b>	<a href="#">Gold</a>
<b>Contact Termination:</b>	<a href="#">Crimp</a>
<b>Gender:</b>	<a href="#">Plug</a>
<b>Impedance:</b>	<a href="#">50 Ohm</a>
<b>RoHS Compliant:</b>	<a href="#">Yes</a>

NOTES:

- MATERIALS OF CONSTRUCTION:  
 SHELL, HOUSING WITH BODY, CONTACT BODY, BARREL,  
 NUT & FERRULE = BRASS, NICKEL PLATED (.000100 MIN THICK)  
 CONTACT PIN = BRASS, GOLD PLATED (.000003 MIN THICK)  
 RETAINER RING = STAINLESS STEEL, NATURAL  
 INSULATOR = PTFE, MIL-P-19468  
 GASKET = SILICONE RUBBER, COLOR RED
- CRIMPED FERRULE = HEX CRIMP SIZE .255  
 CONTACT PIN TO SOLDER



RECOMMENDED CABLE STRIPPING DIMENSIONS  
SCALE 2.000



SCALE 1.500

**CUSTOMER OUTLINE DRAWING**  
ALL OTHER SHEETS ARE FOR INTERNAL USE ONLY

82-6157		REVISIONS			
DRAWING NO.	REV	DESCRIPTION	DATE	ECO	APPR
THIRD ANGLE PROJ.	A	RELEASE TO MFG.	9/28/00	43529	CPM
	B	SEE SHEET I	1/16/02	43941	CPM

UNLESS OTHERWISE SPECIFIED, DIMENSIONS ARE IN INCHES AND TOLERANCES ARE: 0.5 - 6mm ±0.2mm      6 - 30mm ±0.4mm      30 - 120mm ±0.6mm	MATERIAL	DRAWN	DATE	TITLE 'N' R/A PLUG FOR LMR 240 (NICKEL PLATE)	Amphenol Amphenol Corporation Communication and Network Products Division Danbury, CT U.S.A. 06810	
	REFERENCE GEN# 82-6157.ASSY	C. McGRATH	25-Sep-00			SCALE: 3.0:1 SHEET 2 OF 2
NOTICE - These drawings, specifications, or other data (1) are, and remain the property of Amphenol Corp. (2) must be returned upon request; and (3) are confidential and not to be disclosed to any person other than those to whom they are given by Amphenol Corp. The furnishing of these drawings, specifications, or other data by Amphenol Corp., or to any other person for any purpose is not to be regarded by implication or otherwise in any manner licensing, granting rights or permitting such holder or any other person to manufacture, use or sell any product, process or design, patented or otherwise, that may in any way be related to or disclosed by said drawings, specifications, or other data.	APPROVED	DATE	CODE ID	DWG SIZE	DRAWING NO.	REV
	T. AUBIN	27-Sep-00	74868	B	82-6157	B

## Description

Named for Paul Neill of Bell Labs and developed in the 1940's. The Type N offered the first true microwave performance.

Type N connector was developed to satisfy the need for a durable, weatherproof medium size RF connector with consistent performance through 11 GHz.

There are two families of Type N connectors:

- Standard N (Coaxial Cable)
- Helical N (Corrugated Cable)

Primary applications are the termination of medium to miniature size coaxial cable:

RG-8 and RG-225

RG-58 and RG-141

## Features/Benefits

- Accommodates a wide range of medium to miniature sized RG coaxial cables in a rugged medium size design. Provides customer flexibility in their design and manufacturing with a durable connector.
- Broad line of Military (M39012 prefix), Industrial (UG prefix), and Commercial Grade (RFX suffix) products available. Gives customer choices in weighing cost versus performance benefits.
- Available in many styles: Plugs (Straight and Right Angle) and Jacks (Panel Mount, Bulkhead Mount, Receptacle). Meets many customer application demands.

## Application

- Antennas
- Base Stations
- Broadcast
- Cable Assemblies
- Components
- Instrumentation
- Mil-Aero
- Radar
- Radios
- Satcom
- Surge Protection
- WLAN



## Type N

Specifications	226
Cable Plugs	227
Right Angle Plugs	228
Jacks	229-232
Receptacles, Accessories	234-235
Adapters	236

## Helical N Corrugated Cable Connectors

Specifications	239
Plugs	240-241
Jacks	242-243

## ELECTRICAL

Impedance	50 ohms
Frequency range	0-11 GHz
Voltage rating	1,500 volts peak
Dielectric withstanding voltage	2,500 volts rms.
VSWR (MIL-C-39012 cable connectors)	M39012 straight connectors: 1.3 max. 0-11 GHz M39012 right angle: 1.35 max. 0-11 GHz
Other	Contact resistance: center contact 1.0 milliohm outer contact 0.2 milliohm  RF leakage: -90 dB minimum at 3 GHz Insertion loss: .15 dB maximum at 10 GHz Insulation resistance: 5000 megohms minimum

## MECHANICAL

Mating	5/8-24 threaded coupling
Cable affixment (braid or jacket)	All crimps: hex braid crimp. Clamps: screw-thread nut and braid clamp
Cable affixment (center conductor)	Crimp: crimp or solder All others: solder only
Captivated contact	All crimps. Others, where specified.
Cable retention	Crimps: 60-120 lbs. Clamps: 30-70 lbs.

## MATERIAL

Contacts	Male: brass; Female: phosphor bronze or beryllium copper. Silver or gold plated
Other metal parts	Brass: ASTROplate® finish except M39012 silver.
Insulators	TFE, copolymer of styrene or glass-TFE (hermetic seal)
Weatherproof gaskets	Silicone rubber or synthetic rubber
Crimp ferrule	Copper

## ENVIRONMENTAL

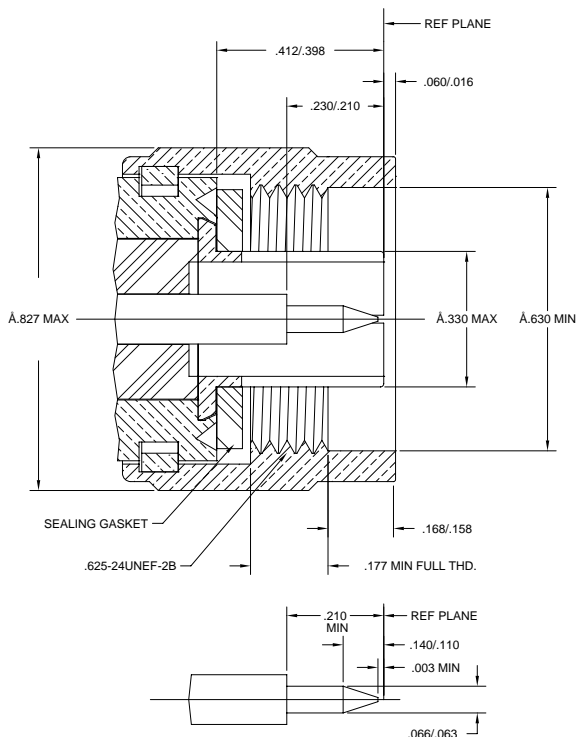
Temperature range	TFE -65°C to + 165°C Copolymer of Styrene: - 55°C to + 85°C
Weatherproof	All series N with gaskets are weatherproof
Hermetic seals	Pass helium leak test of $2 \times 10^{-8}$ cc/sec
Pressurized Shock	Compression seal MIL-Std. 202 method 213
Vibration	MIL-Std. 202 method 204 (test cond. B)
Moisture resistance	MIL-Std. 202 method 106
Corrosion	MIL-Std. 202 method 101 (test cond. B)
Temperature cycling	MIL-Std. 202 method 102 (test cond. C)
Altitude	MIL-Std. 202 method 105 (test cond. C)

## MILITARY SPECIFICATIONS

MIL-C-39012 & MIL-A-55339	Where applicable
---------------------------	------------------

NOTE: These characteristics are typical and may not apply to all connectors.

## PLUG



## JACK

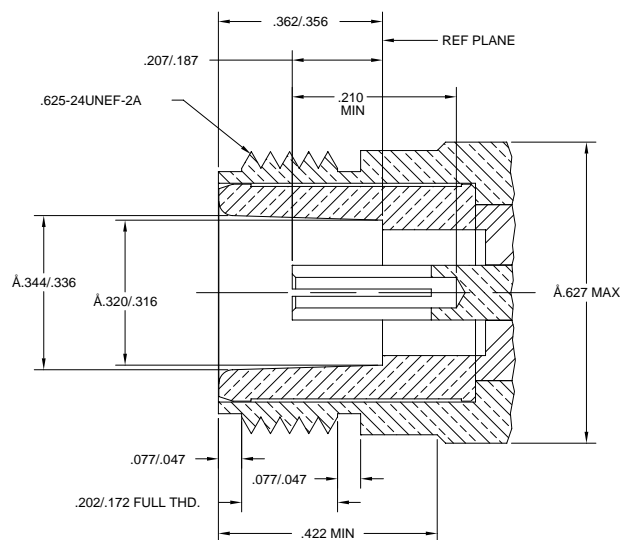
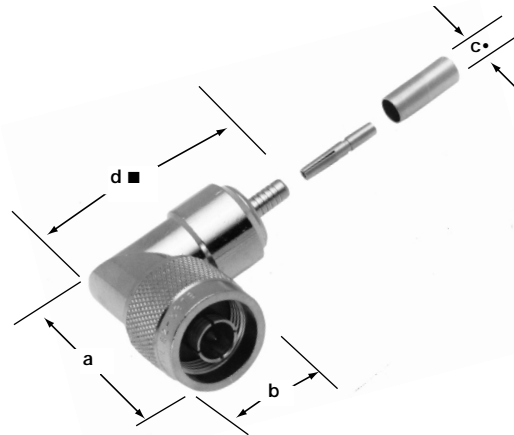
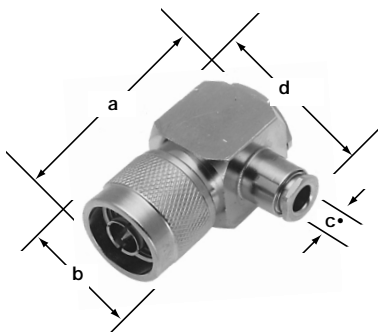


Fig. 1



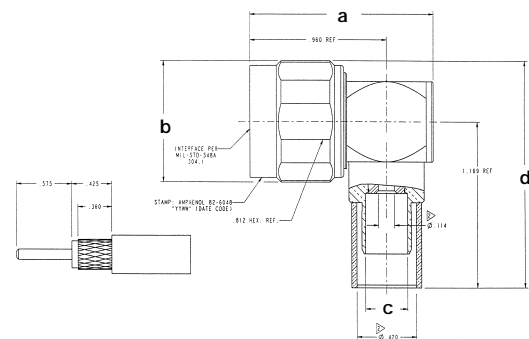
Crimp N Angle Plugs  
82-4440-1001 82-5995  
82-5374 82-4440

Fig. 2



Clamp N Angle Plug  
Cubic Body  
18750  
82-5988-1000

Fig. 3



Crimp N Angle Plug  
Cubic Body  
82-6048-1000  
82-5989-1004  
82-6157  
82-6165  
82-6166

## N RIGHT ANGLE PLUGS

Cable RG-/U	Cable Attachment		Dimensions, inches (millimeters)				Notes			Military Number	Amphenol Number	Fig.
	Outer	Inner	a	b	c •	d	CAI	Pit.	Ins.			
9, 214, 225, 393	Crimp	Crimp	1.40(35.5)	.827(21.0)	.437(11.1)	1.95(49.5)■	C11	P28	D1	—	82-4440-1001	1
55, 142, 223	Crimp	Crimp	1.41(35.7)	.827(21.0)	.220(5.6)	1.98(50.2)■	C11	P11	D1	—	82-5374	1 ▲
58, 141, 142	Clamp	Solder	1.63(41.3)	.827(21.0)	.210(5.3)	1.22(31.0)	C8	P1	D1	—	18750	2
214, 225, 393	Crimp	Crimp	1.40(35.5)	.827(21.0)	.438(11.1)	1.95(49.5)■	C11	P33	D1	M39012/05-0501	82-4440	1 ▲
214, 393	Crimp	Solder	1.195(30.4)	.827(21.0)	.438(11.1)	1.62(4.1)■	C11	P33	D9	—	82-5988-1000	2
214, 393	Crimp	Solder	1.195(30.4)	.850(21.6)	.438(11.1)	1.62(4.1)■	C11	P33	D9	Hex Coupling	82-5988-1004	3
LMR 600, TWB 6001	Crimp	Solder	1.32(33.5)	.850(21.6)	.625(15.9)	1.61(40.9)■	C11	P34	D9	Hex Coupling	82-5995	1
Amph TWB 4001, LMR 400, Belden 9913	Crimp	Solder	1.291(32.8)	.850(21.6)	.298(7.57)	1.594(40.5)■	C11	P33	D9	—	82-6048-1000	3
LMR 240, 8X	Crimp	Crimp	1.43(36.5)	.827(21.0)	.259(6.6)	1.07(27.2)	C11	P7	D1	Nickel Body	82-6157	3
LMR 240, 8X	Crimp	Crimp	1.43(36.5)	.827(21.0)	.259(6.6)	1.07(27.2)	C11	P7	D1	Nickel Body	82-6165	3
LMR 240, 8X	Crimp	Crimp	1.43(36.5)	.827(21.0)	.259(6.6)	1.07(27.2)	C11	P33	D1	Silver Body	82-6166	3

• accommodates cable diameter ■ includes outer ferrule ▲ Distributor stocked