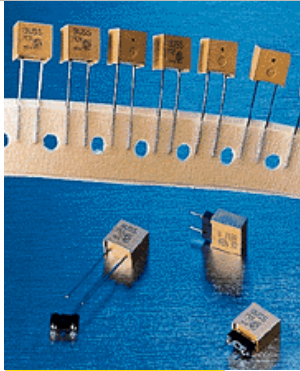


Cooper Bussmann

- Homepage
- About Cooper Bussmann
- Contact Us
- Privacy
- Legal
- Cooper Bussmann® Brand
- Site Map



PCC-1/2-R

| Product Information | |
|---------------------|------------|
| Product Type: | Fuse |
| Product Family: | Electronic |

Description

- Radial Leaded Fast Acting Thru-Hole Fuse
- Ideal for high voltage DC applications
- Board washable
- Optional mounting socket available (PCS)
- Available in different lead configurations

| AC TIME-CURRENT CHARACTERISTICS | |
|---------------------------------|-------------------|
| % of Amp Rating | Opening Time |
| 100% | 4 hours minimum |
| 200% | 10 second maximum |

Agency Information

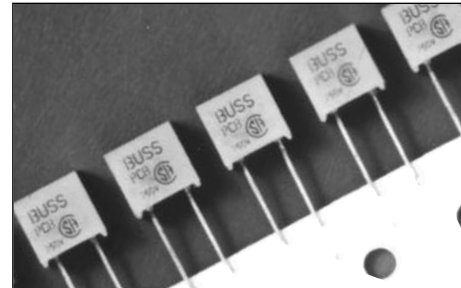
- UL Recognized: E19180
- CSA: 42731

Ordering

- Specify packaging, product, and option code (i.e., BK/PCB-1/2-R)

DC Application

The PC-Tron subminiature fuse is UL Recognized for DC supplementary overcurrent protection to provide individual protection for components or internal circuits in equipment. Suitability for a specific application is dependent on time constants and capacitance values. It is the responsibility of the customer to evaluate the information provided for applicability to their particular application.



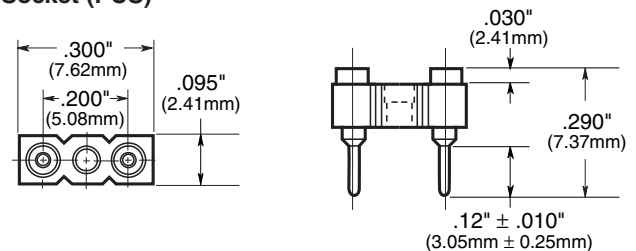
Dimensions ^{mm/(inches)}

Dimensional Data: All tolerances $\pm .005"$
 $\pm .13 \text{ mm}$

Mounting Socket (RoHS compliant)

- Available as option. Specify catalog number BK/PCS (100-in) and short fuse lead length — PCC or PCE

Socket (PCS)

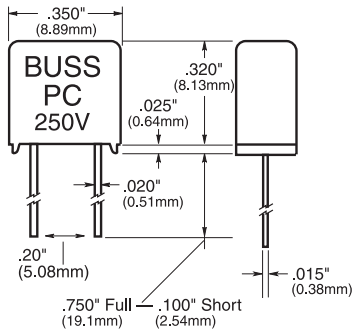


| SPECIFICATIONS | | | | | | |
|------------------------------------|--------------------------|-------------------|---------------------------|-------------------|-----------------|-------|
| Product Code / Amp Rating | Lead Length | Voltage Rating AC | AC Interrupting | Voltage Rating DC | DC Interrupting | |
| | | | | | Min. | Max. |
| PCB - 1/2, 3/4, 1, 1-1/2, 2, 2-1/2 | Full - 0.750" (straight) | 250V | 50A @ 250V 10kA @ 125V | 450V | 300 | 5900A |
| PCB - 3 | Full - 0.750" (straight) | 250V | 50A @ 250V | 350V | 300 | 4400A |
| PCC - 1/2, 3/4, 1, 1-1/2, 2, 2-1/2 | Short 0.100" (straight) | 250V | 50A @ 250V 10kA @ 125V | 450V | 300 | 5900A |
| PCC - 3 | Short 0.100" (straight) | 250V | 50A @ 250V 10kA @ 125V | 350V | 300 | 4400A |
| PCD - 5 | Full - 0.750" (straight) | 125V | 10kA @ 125V | 250V | 300 | 4200A |
| PCE - 5 | Short 0.100" (straight) | 125V | 10kA @ 125V | 250V | 300 | 4200A |
| PCF - 1/2, 3/4, 1, 1-1/2, 2, 2-1/2 | 0.475" | 250V | 50A @ 250V 10kA @ 125V | 450V | 300 | 5900A |
| PCF - 3 | 0.475" | 250V | 50A @ 250V 10kA @ 125V | 350V | 300 | 4400A |
| PCG - 5 | 0.475" | 125V | 10kA @ 125V | 250V | 300 | 4200A |
| PCH - 1/2, 3/4, 1, 1-1/2, 2, 2-1/2 | 0.125" | 250V | 50A @ 250V 10kA @ 125V | 450V | 300 | 5900A |
| PCH - 3 | 0.125" | 250V | 50A @ 250V 10kA @ 125V | 350V | 300 | 4400A |
| PCI - 5 | 0.125" | 125V | 10kA @ 125V | 250V | 300 | 4200A |

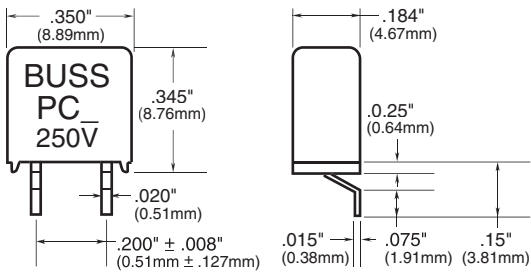
Device designed to carry rated current for four hours minimum. An operating current of 80% or less of rated current is recommended, with further derating required at elevated ambient temperatures.

Dimensional Data: All tolerances $\pm .005"$
 $\pm .13$ mm

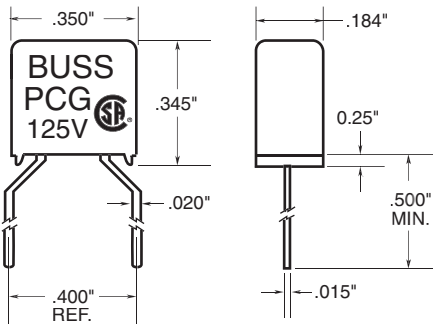
Standard Fuse (PCB, PCD)



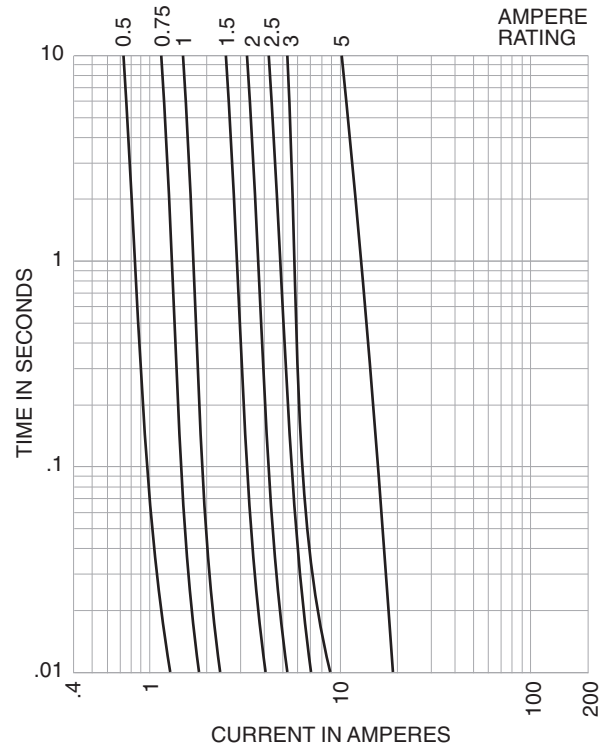
Dimensional Data (PCH, PCI)



Dimensional Data (PCF, PCG)



Time-Current Characteristic Curves—Average Melt



Max. Total Clearing I²t (Amps² Sec.)

| Amp Rating | Volts AC | | | |
|------------|-----------|--------|-----------|-----------|
| | 125 Volts | | 250 Volts | |
| | 50A | 1,000A | 10,000A | 35A & 50A |
| 1/2A | 0.006 | 0.006 | 0.006 | 0.006 |
| 3/4A | 0.016 | 0.016 | 0.016 | 0.016 |
| 1A | 0.020 | 0.020 | 0.020 | 0.020 |
| 1-1/2A | 0.090 | 0.090 | 0.090 | 0.090 |
| 2A | 0.200 | 0.200 | 0.200 | 0.200 |
| 2-1/2A | 0.300 | 0.300 | 0.300 | 0.300 |
| 3A | 0.750 | 0.750 | 0.750 | 0.750 |
| 5A | 5.0 | 5.0 | 5.0 | — |

Note—Power Factor > .90.

| PACKAGING CODE | |
|----------------|--------------------------------------|
| Packaging Code | Description |
| Blank | 5 pieces of fuses |
| BK | 100 pieces of fuses in a carton |
| TR* | 500 pieces of fuses on tape and Reel |

* Only for PCB and PCD

| OPTION CODE | |
|-------------|------------------------|
| Option Code | Description |
| -R | RoHS Compliant Version |