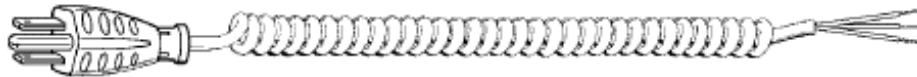


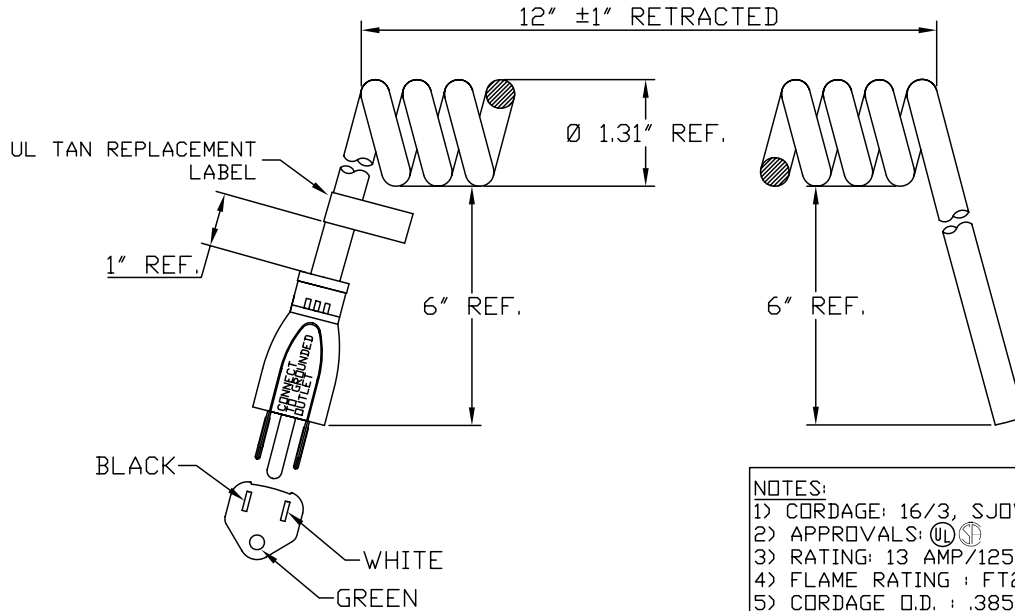
VOLEX

GROUP

Standard Cord Details: 17448 10 S2



Specifications	
Certifications	
Part Number	17448 10 S2
Connector Type	none
Plug Type	5-15P
Category	Rubber
Application	Non-Detachable
Plug Catalog No.	
Connector Catalog No.	
Cable	SJO AWG 16x3
Jacket Color	Black
Length in Feet	1' (RETRACTED)
Length in Meters	0.3
Temperature Rating	60 C
Packaging Units Per Carton	25
Color Coding	North America
Nominal OD in Inches	1.37
Nominal OD in Millimeters	9.4



- NOTES:
- 1) CORDAGE: 16/3, SJOW, 90°C, BLACK
 - 2) APPROVALS:
 - 3) RATING: 13 AMP/125 VOLTS
 - 4) FLAME RATING : FT2
 - 5) CORDAGE D.D. : .385" (REF.)
 - 6) PACKAGING: 25 BAGGED CORDS PER CARTON
 - 7) ALL DIMENSIONS IN inches.

VOLEX RESERVES THE RIGHT TO ALTER NON-CRITICAL DIMENSIONS WITHOUT NOTICE.

REV	DESCRIPTION	DATE
1	C.U.D - NEW RELEASE	9/10/07



FORM IN71-07 REV.A

- Indianapolis, IN
- Conover, N.C.
- Fremont, CA
- Aguascalientes, MX
- Tijuana, Mexico
- Hermosillo, MX
- Clinton, AR
- Kanata, Canada

Proprietary Notice:

This document is the property of Volex Incorporated. The information contained herein is not to be disclosed to anyone without the express written consent of Volex Inc.

MATERIAL:
PLUG: PVC, BLACK
JACKET: PVC, BLACK
ROHS COMPLIANT

FINISH:
JACKET: SMOOTH

SCALE:
NOT TO SCALE

ECD:
N/A

ITEM DESCRIPTION
RETRACTILE - NORTH AMERICAN
POWER SUPPLY CORD (1')

TOLERANCE
UNLESS OTHERWISE
SPECIFIED
.XXX ± .005
.XX ± .02
.X ± .03
FRACT. ± 1/32
ANGULAR ± 1/2°

APPROVED	DRAWN BY	DATE
STC	STC	9/10/07

PART NO. 17448 10 S2