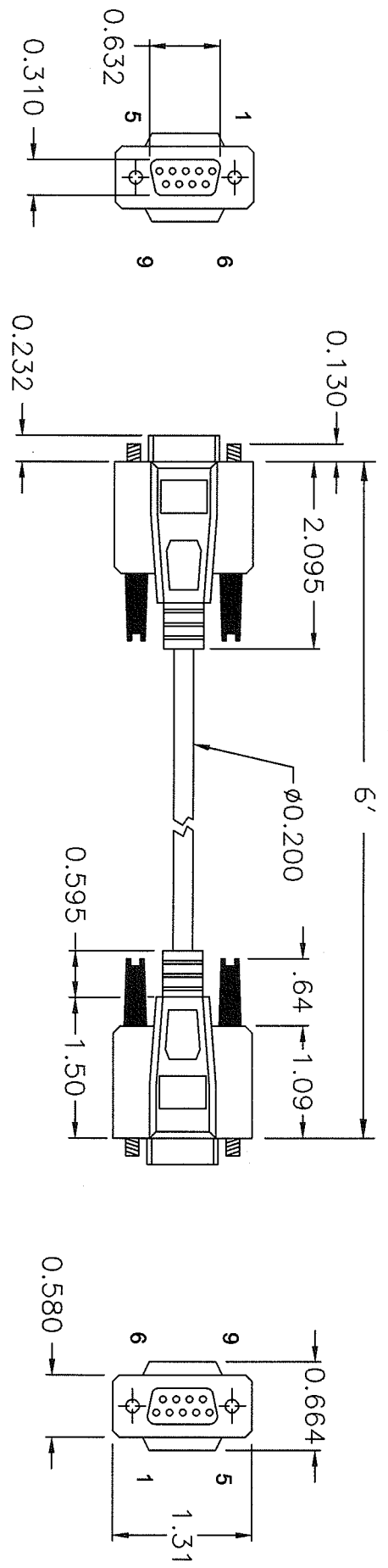
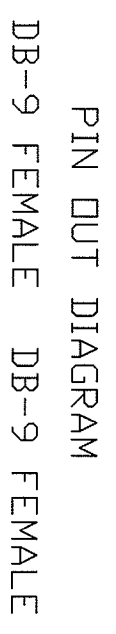


PART NO. 45-389

#4-40 SCREWS (4)



**SPECIFICATIONS :**  
**CABLE/HOOD: PVC, BIEGE**  
**SCREWS: # 4-40**



UNLESS OTHERWISE SPECIFIED,  
 DIMENSIONS ARE FOR REFERENCE  
 PURPOSES ONLY.

DRAWINGS ARE THE PROPERTY OF  
 GC ELECTRONICS. REPRODUCTION OR  
 DISTRIBUTION OF THIS DRAWING MUST  
 HAVE PRIOR WRITTEN CONSENT FROM  
 GC ELECTRONICS.

SHEET 1 OF 1 SCALE NTS: DIMENSIONS IN

**GC Electronics**

PART NAME NULL MODEM DB-9, 6 FT CABLE (F)/(F)

DRAWN S.R.S. 1/18/05 PART NO. 45-389

CHECKED REV.