

# C&K Rafx 16 Series Emergency Stop Pushbutton Switches



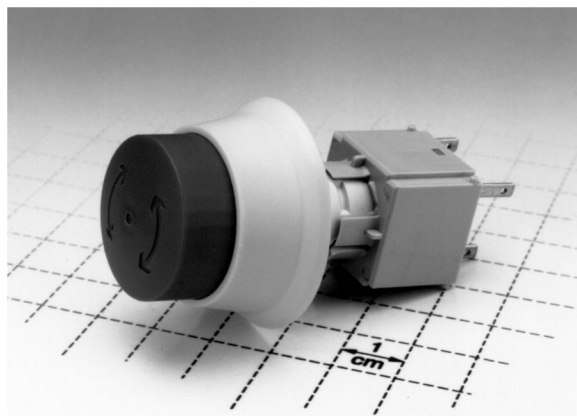
Models Available  
(Contact block only)

## Features/Benefits

- Instantly shuts down machinery
- Cannot be accidentally re-actuated
- Quick connect terminals
- Meets IEC EN 418 & CE requirements

## Typical Applications

- Machine process control
- Textile machinery
- Medical equipment



B

Pushbutton

## How To Order

To order, select actuator and contact block part numbers. Accessories available separately, see catalog section L. Other frame styles and illuminated versions available, consult Customer Service Center.

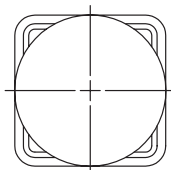
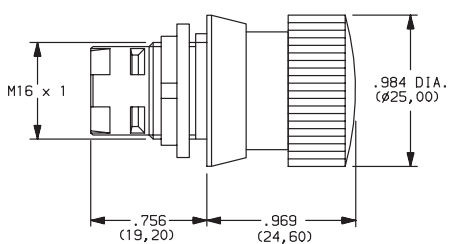
## Specifications

CONTACT RATING: Ag: 6 AMPS @ 250 V AC.  
Au: 250 mA @ 42 V AC/DC.  
CONTACT SYSTEM: Self cleaning bridge contact.  
CONTACT ARRANGEMENT: 1 N.C. & 1 N.O./2 N.O./2 N.C.  
CONTACT RESISTANCE: Ag: 20 milliohms; Au: < 50 milliohms.  
FIXING: Hexagon nut  
OPERATING LIFE: 30,000 cycles.  
OPERATING FORCE: > 30N.  
OPERATING TEMPERATURE: -25°C to +70°C; -13°F to +158°F.  
SWITCHING TRAVEL: Approximately 3mm.  
DEGREE OF PROTECTION: IP65; dust-proof, water splash and dew condensation.

## Materials

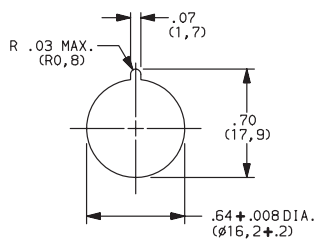
SWITCH HOUSING: PA  
COLLAR: PBTB.  
CONTACT BLOCK HOUSING: PA 12.  
ACTUATOR: PA.  
CONTACT MATERIAL: Silver nickel/gold.  
TERMINALS: Quick connect 2.8 x 0.8 tin plated.  
FLAMMABILITY OF PLASTIC MATERIALS: UL 94V-0.

## Non-illuminated Emergency Stop Pushbutton Switches



1.30074.1010301

### PANEL MOUNTING



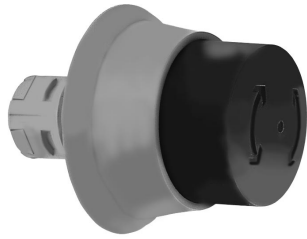
PANEL THICKNESS  
.02 - .20 (0.5 - 5.0)

NON-ILLUMINATED SWITCHES	
PART NUMBER	COLLAR COLOR
1.30074.1010301	Black
1.30074.1020301	Yellow

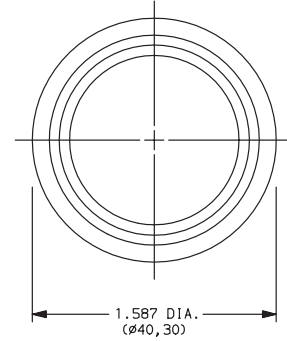
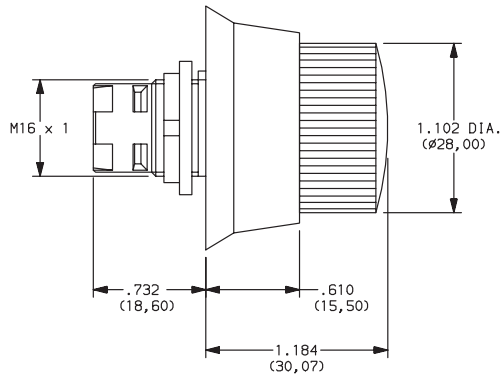
For contact block, see page B-90.

# C&K Rafx 16 Series Emergency Stop Pushbutton Switches

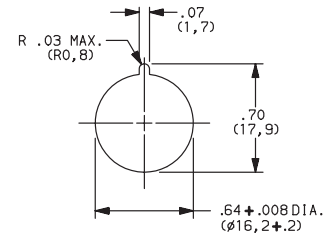
## Non-illuminated Emergency Stop Pushbutton Switch



1.30074.8210000



### PANEL MOUNTING



PANEL THICKNESS  
.02 - .20 (0.5 - 5.0)

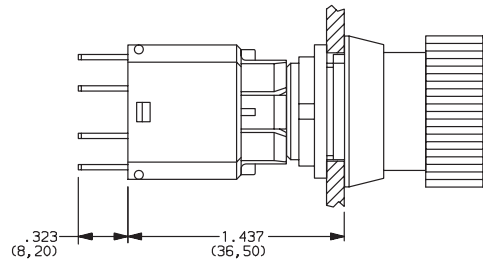
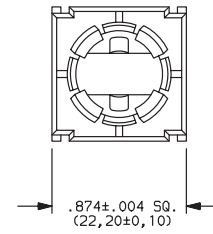
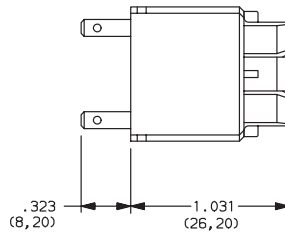
NON-ILLUMINATED SWITCH	
PART NUMBER	COLLAR COLOR
1.30074.8210000	Yellow

## Emergency Stop Pushbutton Switches with Universal Contact Block

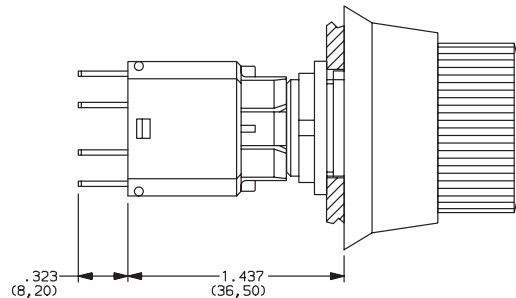


1.20123.0210000

1 N.C. + 1 N.O.



Contact Block with  
Emergency Stop Pushbutton Switch



Contact Block with  
Emergency Stop Pushbutton Switch

UNIVERSAL CONTACT BLOCK			
PART NUMBER	FUNCTION	MATERIAL/ CONTACT RATING	CONTACT ARRANGEMENT
1.20123.0210000	Momentary	Silver 250 V/ 6 A (4 A)	1 N.C. & 1 N.O.
1.20123.0220000			1 N.C.
1.20123.0230000			1 N.O.
1.20123.0240000			2 N.C.
1.20123.0250000			2 N.O.
1.20123.0310000	Momentary	Gold 42 V/ 250 mA	1 N.C. & 1 N.O.
1.20123.0320000			1 N.C.
1.20123.0330000			1 N.O.
1.20123.0340000			2 N.C.
1.20123.0350000			2 N.O.



B

Pushbutton