

DC Series
Tubeaxial
Cooling Fans
Model No. D36T10

3.62" Sq. x 1.00"
(92 mm Sq. x 25 mm)
34-55 CFM
(16.0-25.9 L/Sec.)



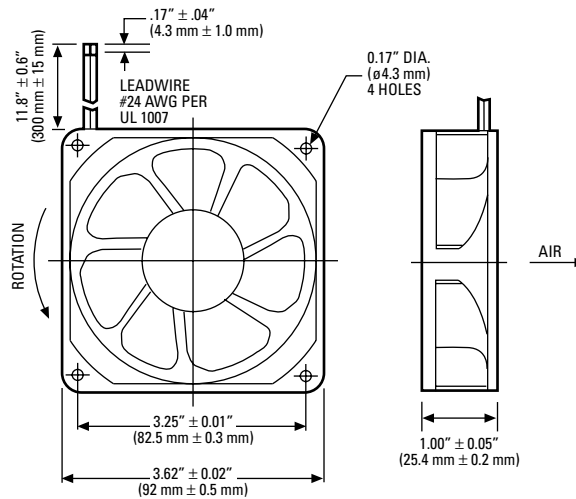
Features

- 7-blade impeller design provides:
 - Reduced noise
 - Improved performance
 - High efficiency
- Solid-state brushless motor design provides:
 - Auto restart
 - Low input power
 - Lower operating voltages
- Precision ball bearing system provides:
 - Longer life
 - Higher temperature extremes
 - Lower noise over time
 - Maximum shock and vibration resistance
- Designed to meet the rigid standards of UL, CSA, VDE, and CE.

Accessories:
Finger guards

General Specifications

- Frame:** Reinforced polybutylene plastic (UL94V-0 flame retardant)
- Impeller:** Reinforced polybutylene plastic (UL94V-0 rating)
- Bearings:** Precision, life-lubricated ball bearings
- Insulation:** Class A integral ground system rated @ 248°F (120°C)
- Weight:** 3.5 ozs. (100 grams)
- Operating Temperature Range:** 14° to 158°F (-10° to 70°C)
- Insulation Resistance:** 10 megohms minimum @ 250 VDC
- Dielectric Strength:** 500 VAC for 60 seconds
- Safety Protection:** Electronic locked rotor protected; polarity protected
- Life Expectancy:** 75,000 hours minimum @ 77°F (25°C)
- Options:** (Consult Factory)
Tachometer output
Locked rotor output sensor

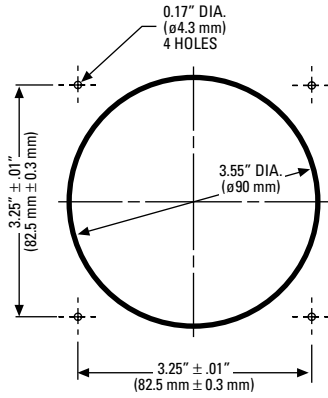


RED LEAD IS POSITIVE (+)
BLACK LEAD IS NEGATIVE (-)
WHITE LEAD IS TACHOMETER/SENSOR

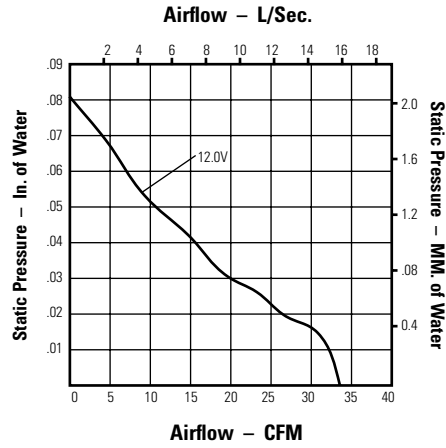
| Globe Motors Part Number | Nominal Voltage VDC | Voltage Operating Range VDC | Watts | Line Amps | RPM | Acoustic Noise dBA | Airflow (Min.) | |
|--------------------------|---------------------|-----------------------------|-------|-----------|------|--------------------|----------------|-------------------|
| | | | | | | | CFM | Liters per Second |
| D36-B10A-04W2-100 | 12 | 6.0 / 13.8 | 1.32 | 0.110 | 2100 | 30 | 34 | 16.0 |
| D36-B10A-04W3-100 | 12 | 6.0 / 13.8 | 2.64 | 0.220 | 2850 | 38 | 48 | 22.6 |
| D36-B10A-04W5-100 | 12 | 6.0 / 13.8 | 3.78 | 0.315 | 3200 | 41 | 55 | 25.9 |
| D36-B10A-05W2-100 | 24 | 10.0 / 27.6 | 1.44 | 0.060 | 2100 | 30 | 34 | 16.0 |
| D36-B10A-05W3-100 | 24 | 10.0 / 27.6 | 2.88 | 0.120 | 2850 | 38 | 48 | 22.6 |
| D36-B10A-05W5-100 | 24 | 10.0 / 25.0 | 3.84 | 0.160 | 3200 | 41 | 55 | 25.9 |

*Note: For tachometer output models, substitute "B" in part number. Part Number D36-B10A-04W2-100 would change to D36-B10B-04W2-100. Minimum order quantity may apply.
For locked rotor sensor output models, substitute "C" in part number. Part Number D36-B10A-04W2-100 would change to D36-B10C-04W2-100. Minimum order quantity may apply.

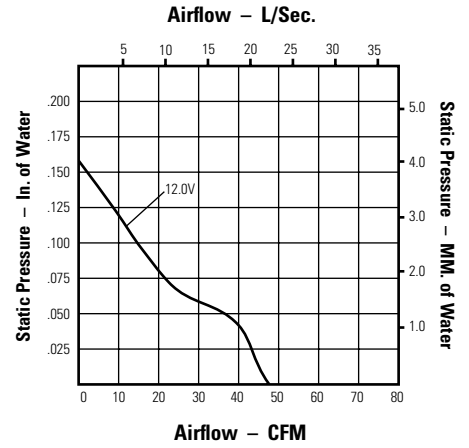
Installation Guide



Performance at Sea Level



D36-B10A-04W2-100



D36-B10A-04W3-100

Approvals



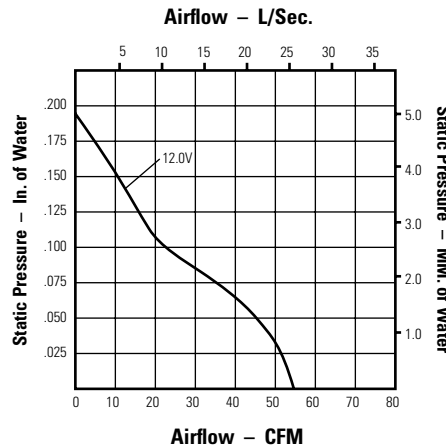
UL File No.
E105397



CSA File No.
72877



VDE File No.
17074-2611-0701

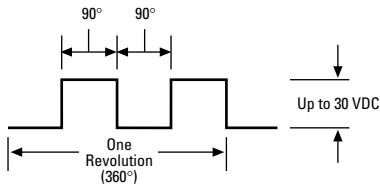


D36-B10A-04W5-100

All operating specifications measured at nominal operating voltage, free air at sea level

24 volt performance is identical to 12 volt fan performance

Tachometer Output (Open Collector Circuit)



NOTES:

Locked Rotor Output (Open Collector Circuit)

