


HBL2516 -- Twist-Lock Flanged Receptacle

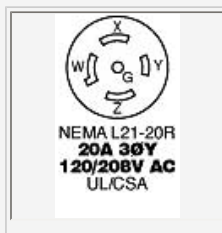


4P5W, 20A 3PH 120/208V AC, L21-20R, White Nylon

Product Specifications

Product Type	 <p>Twist-Lock Devices</p>
Product Item	Flanged Receptacle
Wiring Scheme	4 Pole, 5 Wire Grounding
Amperage	20A
Voltage	3 Phase Y 120/208V AC
NEMA Configuration	L21-20R
Item Style	Standard
Device Color	White
Horsepower	2
Terminal Retainer Material	Clear polycarbonate
Terminal Clamp Material	.08" (2) steel-nickel plated
Terminal Screw Material	#10-32 Brass (white finish on neutral screw when used) Multi-drive
Ground Screw Material	#10-32 Brass (green finish) Multi-drive

Body Holding Screw Material	Steel, zinc plated Multi-drive
Body Contact Carrier Material	Natural White Nylon
Contact Spring Material	Brass
Spring Binding Plate Material	Brass
Flanged Casing Material	Natural White Nylon
Mounting Screw Material	Nickel-plated Brass Round head screws
Ground Contact Material	.031" (.8) Brass
Ratings	Molded into face.
Catalog No.	Ink marked on nylon casing.
Dielectric Voltage Withstand	2,000V minimum.
Current Interrupting	Certified for current interrupting at full rated current.
Temperature Rise	Max 30C temperature rise at full rated current after 50 cycles of overload at 150% of rated current at a power factor of .75.
Terminal Accommodation	20A #12 AWG
Terminal Identification	Terminals identified in accordance with UL 498 (X, Y, Z, White, Green)
Flammability	HB or better per UL 94 or CSA 22.2 No. 0.6
Operating Temperatures	Maximum Continuous 75 C Minimum -40 C (w/o impact)
Listings	FED SPEC UL/CSA
Feature Info	Nylon casing, back wired.
Catalog Page	Click here for catalog page B51
Brochures	Click here for product brochure
Hubbellnet	Click here for Hubbellnet
Catalog Section	Click here for Section-B
UPC Number	78358503858
Weight in LBs	0.3



NEMA
Configuration



TWIST-LOCK® Devices

4 Pole, 5 Wire Grounding

20 Ampere, 3Ø Y 120/208, 277/480 and 347/600 Volts AC

Receptacles, INSULGRIP® Connector Bodies, Flanged Devices and Plugs



NEMA L21-20R
20A 3ØY
120/208V AC
UL/CSA
2 HP



NEMA L22-20R
20A 3ØY
277/480V AC
UL/CSA
5 HP



NEMA L23-20R
20A 3ØY
347/600V AC
UL/CSA

Single Flush Receptacles, Back and Side Wired

Description	Catalog Numbers		
Black nylon face.	HBL2510	HBL2520*	HBL2530*
Isolated ground, orange nylon face.	IG2510	-	-

*Not Fed Spec

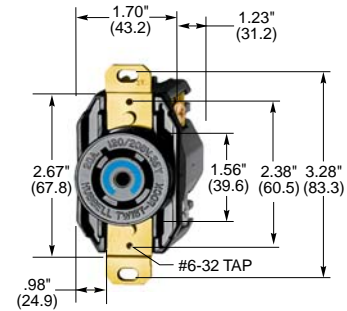
Insulgrip Connector Bodies IP20 SUITABILITY

Description	Catalog Numbers		
Black and white nylon.	HBL2513	HBL2523	HBL2533
Corrosion resistant, yellow nylon.	HBL25CM13	-	-

Note: Cord grip range .35"-1.15" (9-29).

Insulgrip Flanged Receptacles

Description	Catalog Numbers		
Nylon casing, back wired.	HBL2516	HBL2526	HBL2536



HBL2510



HBL2513



NEMA L21-20P
20A 3ØY
120/208V AC
UL/CSA



NEMA L22-20P
20A 3ØY
277/480V AC
UL/CSA
5 HP

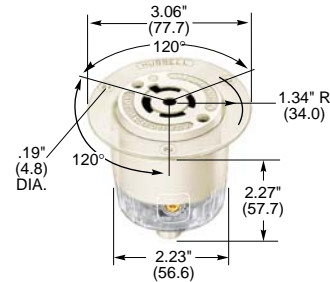


NEMA L23-20P
20A 3ØY
347/600V AC
UL/CSA

Insulgrip Plugs IP20 SUITABILITY

Description	Catalog Numbers		
Black and white nylon.	HBL2511	HBL2521	HBL2531
Corrosion resistant, yellow nylon.	HBL25CM11	-	-

Note: Cord grip range .35"-1.15" (9-29).



HBL2516

Insulgrip Flanged Inlets

Description	Catalog Numbers		
Nylon casing, back wired.	HBL2515	HBL2525	HBL2535

Notes: Only receptacles and plugs 480V AC or less are HP rated.

HP ratings for receptacles and plugs only.

All HP rating are AC only.

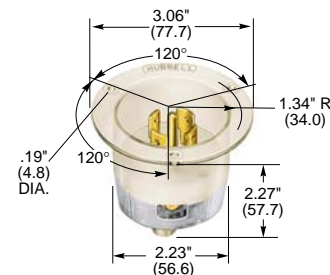
See pages B-70 and B-71 for accessories.

See page B-83 for technical data.

See page B-63 for switched enclosure.



HBL2511



HBL2515

