

## HBL2320SW -- Twist-Lock Watertight Safety-Shroud Receptacle



2P3W, 20A 250V, L6-20R, Watertight Housing & Flange

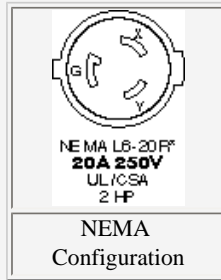
### Product Specifications

<b>Product Type</b>	 <p><b>Twist-Lock Devices</b></p>
<b>Product Item</b>	Single Receptacle
<b>Wiring Scheme</b>	2 Pole, 3 Wire Grounding
<b>Amperage</b>	20A
<b>Voltage</b>	250V AC
<b>NEMA Configuration</b>	L6-20R
<b>Item Style</b>	Shrouded Watertight
<b>Device Color</b>	Gray
<b>Horsepower</b>	2
<b>Terminal Retainer Material</b>	Clear polycarbonate
<b>Housing Material</b>	Impact modified PBT
<b>Terminal Clamp Material</b>	Steel, nickel plated .080" Curved, scalloped

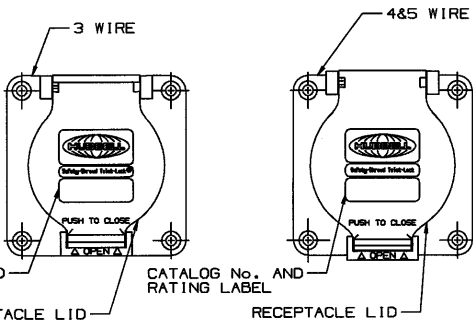
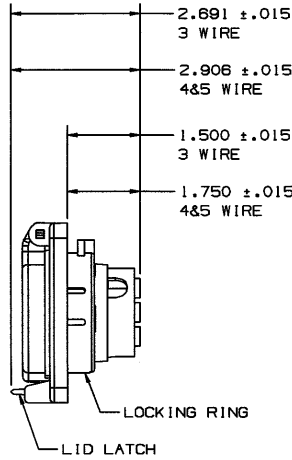
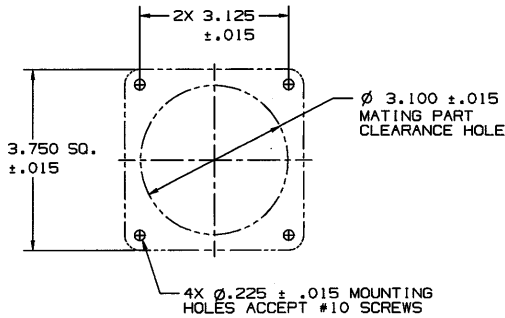
<b>Terminal Screw Material</b>	#10-32 Brass (white finish on neutral screw when used) Multi-drive
<b>Ground Screw Material</b>	#10-32 Brass (Green)
<b>Body Contact Carrier Material</b>	Natural White Nylon
<b>Contact Spring Material</b>	.031" Brass
<b>Spring Binding Plate Material</b>	.031" Brass
<b>Mounting Screw Material</b>	Stainless Steel 302/304 Multi-drive
<b>Ground Contact Material</b>	.031" Brass
<b>Rivet Material</b>	Steel
<b>Ratings</b>	Molded into body
<b>Catalog No.</b>	Marked onto body
<b>Dielectric Voltage Withstand</b>	2,000V minimum.
<b>Current Interrupting</b>	Certified for current interrupting at full rated current.
<b>Temperature Rise</b>	Max 30C temperature rise at full rated current after 50 cycles of overload at 150% of rated current at a power factor of .75.
<b>Terminal Accommodation</b>	#14 to #8 AWG Copper Only
<b>Terminal Identification</b>	Terminals identified in accordance with UL 498 (X, Y, Z, White, Green)
<b>Flammability</b>	VO per UL94 or CSA 22.2 No. 0.6
<b>Operating Temperatures</b>	Maximum Continuous 75 C Minimum -40 C (w/o impact)
<b>Moisture Resistance</b>	Type 4, 4X, 1, IP66 suitability
<b>Flange Gasket Material</b>	Closed-cell Neoprene foam
<b>Lid Gasket Material</b>	Closed-cell Neoprene foam
<b>Cover Hinge Pin Material</b>	Stainless Steel 302/304
<b>Housing and Flange Material</b>	Gray Valox
<b>Cover Spring Material</b>	Stainless Steel 302/304
<b>Listings</b>	FED SPEC UL/CSA
<b>Feature Info</b>	Gray Valox housing & flange.
<b>M Drawings</b>	<a href="#">Click here for M-Drawing</a>
<b>Catalog Page</b>	<a href="#">Click here for catalog page B23</a>
<b>Brochures</b>	<a href="#">Click here for product brochure</a>
<b>Hubbellnet</b>	<a href="#">Click here for Hubbellnet</a>
<b>Catalog Section</b>	<a href="#">Click here for Section-B</a>

<b>UPC Number</b>	78358523108
-------------------	-------------

<b>Weight in LBs</b>	0.55
----------------------	------



# M-7316 3



CATALOG No. AND RATING LABEL

CATALOG No. AND RATING LABEL

RECEPTACLE LID

RECEPTACLE <sup>1</sup>	CONFIGURATION RATING	MATING PLUG #	MATING NEMA PLUG #	HUBBELL	IEC COLOR CODE
3 WIRE	HBL 2310SW	20A 125V	HBL 2311SW	L5-20P	2311 YELLOW
	HBL 2320SW	20A 250V	HBL 2321SW	L6-20P	2321 BLUE
	HBL 2330SW	20A 277VAC	HBL 2331SW	L7-20P	2331 GRAY
4 WIRE	HBL 2410SW	20A 125/250V	HBL 2411SW	L14-20P	2411 ORANGE
	HBL 2420SW	20A 250V 30	HBL 2421SW	L15-20P	2421 BLUE
5 WIRE	HBL 2430SW	20A 480V 30	HBL 2431SW	L18-20P	2431 RED
	HBL 2510SW	20A 120/208V 30Y	HBL 2511SW	L21-20P	2511 BLUE
3 WIRE	HBL 2610SW	30A 125V	HBL 2611SW	L5-30P	2611 YELLOW
	HBL 2620SW	30A 250V	HBL 2621SW	L6-30P	2621 BLUE
	HBL 2710SW	30A 125/250V	HBL 2711SW	L14-30P	2711 ORANGE
4 WIRE	HBL 2720SW	30A 250V 30	HBL 2721SW	L15-30P	2721 BLUE
	HBL 2730SW	30A 480V 30	HBL 2731SW	L18-30P	2731 RED
	HBL 2740SW	30A 800V 30	HBL 2741SW	L19-30P	2741 BLACK
5 WIRE	HBL 2810SW	30A 120/208V 30Y	HBL 2811SW	L21-30P	2811 BLUE

<sup>1</sup>TYPES 4,4X,12 WHEN CLOSED OR CONNECTED     <sup>2</sup>TYPES 1 WHEN CONNECTED

U.L. LISTED  
CSA CERTIFIED

LIST OF PARTS		
DESCRIPTION	MATERIAL	FINISH
RECEPTACLE	PBTB	
HOUSING LID	PBTB	
LOCKING RING	PBTB	
GASKET	CBR	
SCREWS	302 SS	

3	CONVERTED ALL DIMS TO 3 PL DECIMAL AND ADDED TOL PER DYN #7772	JCA	8/18/00
2	RELEASED FOR PRODUCTION ADDED U.L. LISTED & CSA CERTIFIED TO DYN #11878 CATALOG #12 AND TO PRINTING LABEL # APPROVED TABLE PER DYN #2070	JCA	11/16/94
1	RELEASED 2777-9	JCA	10/11/94

THE DESIGN AND DIMENSIONS OF THE PRODUCT SHOWN ON THIS DRAWING ARE SUBJECT TO CHANGE WITHOUT NOTICE

TITLE SAFETY-SHROUD™ TWIST-LOCK® RECEPTACLES

TOLERANCES UNLESS OTHERWISE SPECIFIED FRACTIONS ±1/64 DECIMALS ±.005 ANGLES ±2°	WIRING DEVICE-KELLEMS HUBBELL, INCORPORATED BRIDGEPORT, CT
DR. BY EEM	APP. BY JCA
TR. BY	SCALE 1/2
CHK'D BY JCA	DATE 10/5/94

QUESTION SHEET FOR CONT. NO.  
 SEE TABLE  
 REPAIRABLE  NON-REPAIRABLE

# TWIST-LOCK® Devices

## 2 Pole, 3 Wire Grounding

20 Ampere, 125, 250 Volts and 277 Volts AC

### Watertight Safety-Shroud TWIST-LOCK® System



**UL Listed, CSA Certified to Type 4, 4X, & 12**

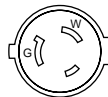
**IP66**  
SUITABILITY



NEMA L5-20R  
20A 125V  
UL/CSA  
1 HP



NEMA L6-20R  
20A 250V  
UL/CSA  
2 HP\*

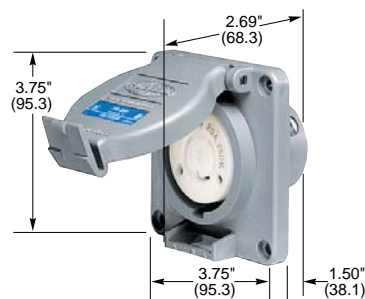


NEMA L7-20R  
20A 277V AC  
UL/CSA  
2 HP

### Watertight Safety-Shroud Receptacles, Back Wired

Description	Catalog Numbers		
Gray Valox® housing & flange.	<b>HBL2310SW</b>	<b>HBL2320SW</b>	<b>HBL2330SW</b>

Note: Receptacles only fit boxes listed on Page B-72.



**HBL2320SW**

### Watertight Safety-Shroud Connector Bodies

Description	Catalog Numbers		
Black Valox housing, White Valox clamps.	<b>HBL2313SW</b>	<b>HBL2323SW</b>	<b>HBL2333SW</b>



NEMA L5-20P  
20A 125V  
UL/CSA  
1 HP



NEMA L6-20P\*  
20A 250V  
UL/CSA  
2 HP\*



NEMA L7-20P  
20A 277V AC  
UL/CSA  
2 HP

### Watertight Safety-Shroud Plugs

Description	Catalog Numbers		
Black Valox housing, White Valox clamps.	<b>HBL2311SW</b>	<b>HBL2321SW</b>	<b>HBL2331SW</b>



**HBL2323SW**



**HBL2321SW**

### Watertight Safety-Shroud Flanged Inlets

Description	Catalog Numbers		
Gray Valox housing and flange.	<b>HBL2315SW</b>	<b>HBL2325SW</b>	<b>HBL2335SW</b>

Notes: Only receptacles and plugs 480V AC or less are HP rated.  
\*Also suitable for 208V.  
HP ratings are AC only.  
Cord grip range for plugs and connector bodies .300"-.930" (9-24), #16-3 Type SJ to #8-3 Type S, SO.  
For technical information see page B-84.



**HBL2325SW**

### CIRCUIT-LOCK® Unfused Safety-Shroud Mechanical Interlock for Twist-Lock® Receptacles

Description	Catalog Number
Mechanical Interlock accommodates 20A and 30A watertight safety-shroud receptacles.	<b>HBLMITL**</b>

Note: \*\*Not shown, see pages B-64 and B-65 for details.

®Valox is a registered trademark of General Electric Company.

