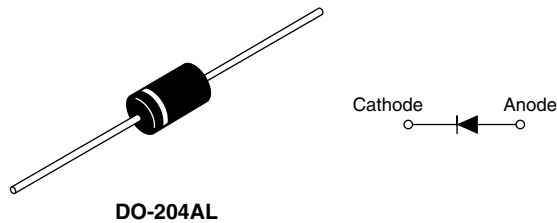


Schottky Rectifier, 2 A


DO-204AL

FEATURES

- Low profile, axial leaded outline
- High frequency operation
- Very low forward voltage drop
- High purity, high temperature epoxy encapsulation for enhanced mechanical strength and moisture resistance
- Guard ring for enhanced ruggedness and long term reliability
- Lead (Pb)-free plating
- Designed and qualified for industrial level


RoHS
COMPLIANT

PRODUCT SUMMARY

$I_{F(AV)}$	2 A
V_R	60 V

DESCRIPTION

The 21DQ06 axial leaded Schottky rectifier has been optimized for very low forward voltage drop, with moderate leakage. Typical applications are in switching power supplies, converters, freewheeling diodes, and reverse battery protection.

MAJOR RATINGS AND CHARACTERISTICS

SYMBOL	CHARACTERISTICS	VALUES	UNITS
$I_{F(AV)}$	Rectangular waveform	2	A
V_{RRM}		60	V
V_F	2 Apk, $T_J = 125\text{ }^\circ\text{C}$	0.55	
T_J	Range	- 40 to 150	$^\circ\text{C}$

VOLTAGE RATINGS

PARAMETER	SYMBOL	21DQ06	UNITS
Maximum DC reverse voltage	V_R	60	V
Maximum working peak reverse voltage	V_{RWM}		

ABSOLUTE MAXIMUM RATINGS

PARAMETER	SYMBOL	TEST CONDITIONS	VALUES	UNITS
Maximum average forward current See fig. 4	$I_{F(AV)}$	50 % duty cycle at $T_C = 106\text{ }^\circ\text{C}$, rectangular waveform	2	A
Maximum peak one cycle non-repetitive surge current See fig. 6	I_{FSM}	5 μs sine or 3 μs rect. pulse	340	
		10 ms sine or 6 ms rect. pulse	60	
Non-repetitive avalanche energy	E_{AS}	$T_J = 25\text{ }^\circ\text{C}$, $I_{AS} = 1\text{ A}$, $L = 8\text{ mH}$	4.0	mJ
Repetitive avalanche current	I_{AR}	Current decaying linearly to zero in 1 μs Frequency limited by T_J maximum $V_A = 1.5 \times V_R$ typical	0.5	A

ELECTRICAL SPECIFICATIONS						
PARAMETER	SYMBOL	TEST CONDITIONS		VALUES		UNITS
				TYP.	MAX.	
Maximum forward voltage drop	$V_{FM}^{(1)}$	2 A	$T_J = 25\text{ }^\circ\text{C}$	0.53	0.60	V
		4 A		0.67	0.75	
		2 A	$T_J = 125\text{ }^\circ\text{C}$	0.49	0.55	
		4 A		0.61	0.67	
Maximum reverse leakage current	$I_{RM}^{(1)}$	$T_J = 25\text{ }^\circ\text{C}$	$V_R = \text{Rated } V_R$	0.02	0.50	mA
		$T_J = 125\text{ }^\circ\text{C}$		7.0	10	
Typical junction capacitance	C_T	$V_R = 5 V_{DC}$ (test signal range 100 kHz to 1 MHz) $25\text{ }^\circ\text{C}$		120		pF
Typical series inductance	L_S	Measured lead to lead 5 mm from package body		8.0		nH

Note

(1) Pulse width < 300 μs , duty cycle < 2 %

THERMAL - MECHANICAL SPECIFICATIONS				
PARAMETER	SYMBOL	TEST CONDITIONS	VALUES	UNITS
Maximum junction and storage temperature range	$T_J^{(1)}, T_{Stg}$		- 40 to 150	$^\circ\text{C}$
Maximum thermal resistance, junction to ambient	R_{thJA}	DC operation Without cooling fin	100	$^\circ\text{C/W}$
Typical thermal resistance, junction to lead	R_{thJL}	DC operation See fig. 4	25	
Approximate weight			0.33	g
			0.012	oz.
Marking device		Case style DO-204AL (D-41)	21DQ06	

Note

(1) $\frac{dP_{tot}}{dT_J} < \frac{1}{R_{thJA}}$ thermal runaway condition for a diode on its own heatsink

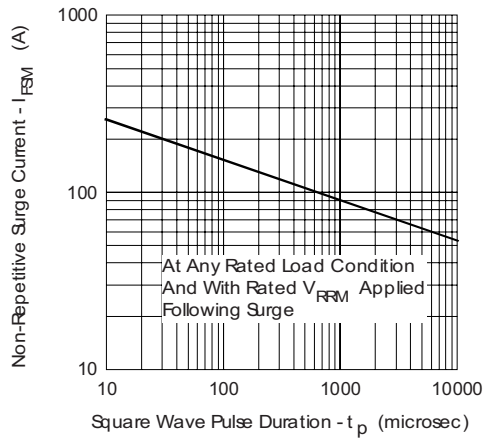


Fig. 6 - Maximum Non-Repetitive Surge Current

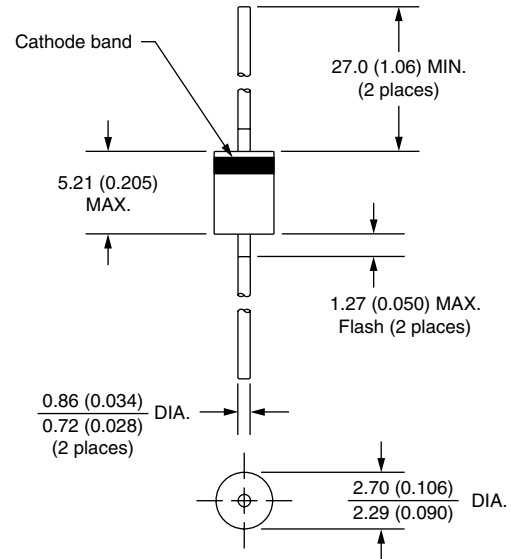
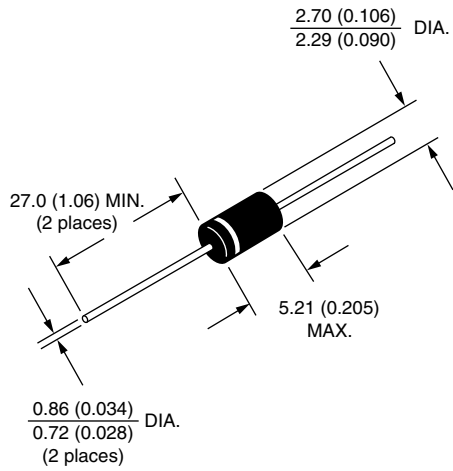
ORDERING INFORMATION TABLE

Device code	21	D	Q	06	TR
	①	②	③	④	⑤

- 1** - 21 = 2.1 A (axial and small packages - current is x 10)
- 2** - D = DO-41 package
- 3** - Q = Schottky Q.. series
- 4** - 06 = Voltage rating: 60 V
- 5** -
 - TR = Tape and reel package (5000 pcs)
 - TB = Tape and box package (ammunition - 3000 pcs)
 - None = Box package (1000 pcs)

Axial DO-204AL (DO-41)

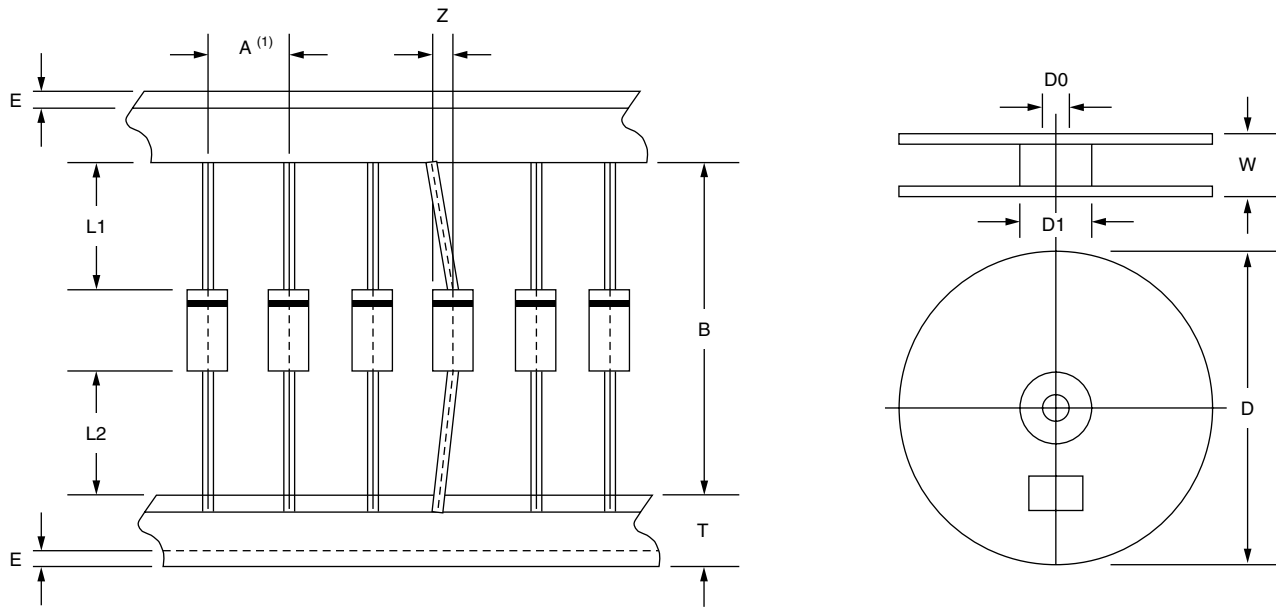
DIMENSIONS in millimeters (inches)



Schottky Axial < 4 A for DO-204AL (DO-41)

Axial devices are packed in accordance with EIA standard RS-296-D and specification.

COMPONENT OUTLINE	COMPONENT PITCH A $\pm 0.5 \text{ mm (0.020")}$	INNER TAPE PITCH B $\pm 1.5 \text{ mm (0.059")}$	CUMULATIVE PITCH TOLERANCE	QUANTITY PER REEL	QUANTITY PER CARTON
DO-41	5.0 mm	26.0 mm	2.0 mm/20 pitch	5000	20 000
DO-41	5.0 mm	52.4 mm	2.0 mm/10 pitch	5000	20 000



ITEM	SYMBOL	SPECIFICATIONS (mm)	SPECIFICATIONS (INCHES)
Component alignment	Z	1.2 maximum	0.048 maximum
Tape width	T	6.0 ± 0.4	0.236 ± 0.016
Exposed adhesive	E	0.8 maximum	0.032 maximum
Body eccentricity	$ L1-L2 $	1.0 maximum	0.040 maximum
Reel outside diameter	D	330.0	13.0
Reel inner diameter	D1	85.7 ± 0.3	3.375 ± 0.012
Feed hole diameter	D0	16.6 ± 0.4	0.655 ± 0.016
Reel width ⁽²⁾	W	79.0 ± 1.0	3.110 ± 0.040

Notes

(1) Each component lead shall be sandwiched between tapes for a minimum of 3.2 mm (0.126")

(2) The reel width "W" for 26 mm taping is $50.0 \pm 1.0 \text{ mm (1.97" } \pm 0.040\text{")}$