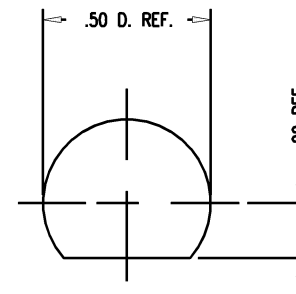
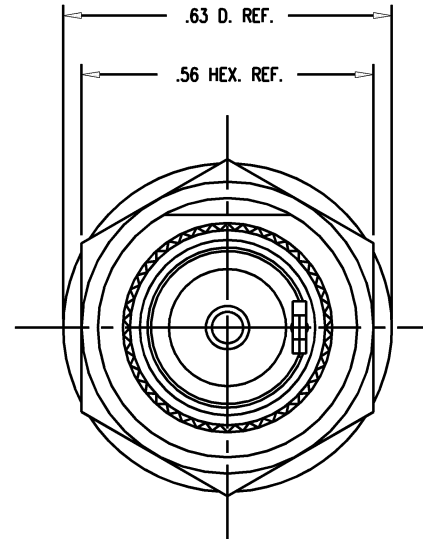
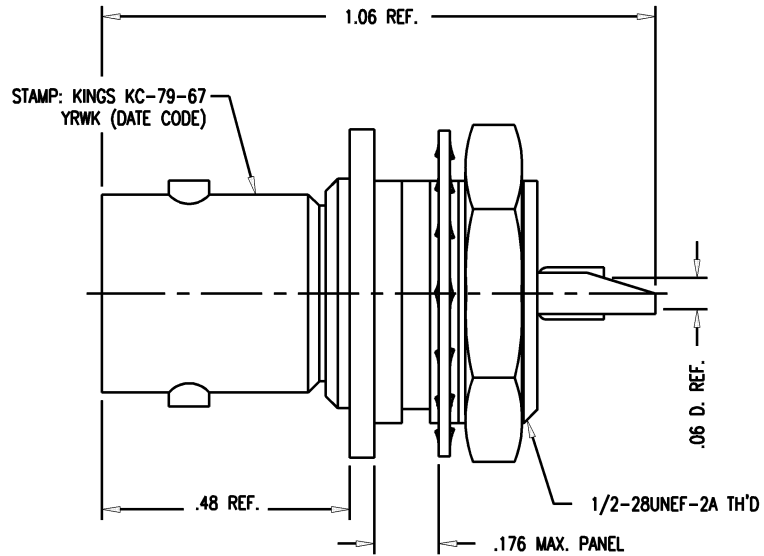


GSD

KC-79-67



MOUNTING HOLE

GSD

REVISIONS

ISSUE	CHANGES
18	CN 33598 E REDRAWN JCA 12/12/91
19	CN 37846 C TML 06/07/99

JCA2286

SCALE	4:1
APPROX SURFACE AREA	
USED ON	
REF:	TEKTRONIX 131-274-00-AG
RECEPTACLE, ISOLATED GROUND, BNC	
DRAWN JCA	DATE 12/12/91
DESIGN MJB	DATE 12/16/91
APPR.	DATE

KINGS
ELECTRONICS CO., INC.
ROCK HILL, SOUTH CAROLINA 29730

KC-79-67

NOTES:

- INTERFACE PER MIL-STD-348, FIG. 301-2.
- SAME AS KC-79-67-MC7 EXCEPT FINISH & MARKING.
- MATERIALS:
INSULATORS: TEFLON, ASTM-D-1457
LOCKWASHER: PHOS. BRONZE, QQ-B-750
CENTER CONTACT } BER. COP., ASTM-B-196
LUG
ALL OTHER PARTS: BRASS, ASTM-B16
- FINISHES:
CENTER CONTACT: SILVER PLATE PER QQ-S-365
ALL OTHER METAL PARTS: KINGS TARNISH RESISTANT FINISH (TR-5)
- ELECTRICAL CHARACTERISTICS:
NOMINAL IMPEDANCE: 50 OHMS
VOLTAGE RATING: 500 VRMS
FREQUENCY RANGE: DC TO 4 GHz
DIELECTRIC WITHSTANDING VOLTAGE: 1500 VRMS
INSULATION RESISTANCE: 5000 MEGOHMS MIN.
CONTACT RESISTANCE: CENTER-2.0 MILLIOHMS MAX.