

**+85°C Low Profile Radial Lead Aluminum Electrolytic Capacitors**



**Part Number: 477RSS035M**

[Detailed Specifications](#)

[General Specifications \(PDF\)](#)

[Special Order Options](#)

[RSS document \(PDF\)](#)



This part is RoHS compliant

**Electrical Specifications**

**Capacitance:**

470 uF

**Tolerance:**

-20 %, +20 %

**Temperature Range:**

-40°C to +85°C

**Dissipation Factor:**

0.12 at 120 Hz

**WVDC:** 35 volts DC

**SVDC:** 44 volts DC

**ESR:**

0.423 Ohms at 120 Hz and 20°C

**Ripple Current:**

524 mA at 120 Hz and 85°C

**Impedance:**

**Impedance Ratios:**

-25°C/20°C - 2

-40°C/20°C - 4

**Leakage Current:**

.01CV or 3uA, whichever is greater  
494.0 uA after 2 Minutes

**Load Life:**

2000 Hours at 85°C with 100% of rated voltage and with 0% of rated ripple current

**Frequency Multipliers**

50 Hz 120 Hz 400 Hz 1 KHz 10 KHz 100 KHz

0.8 1 1.23 1.32 1.5 1.5

**Temperature Multipliers**

45°C 60°C 65°C 70°C 75°C 85°C 105°C 125°C

1.8 1.5 1.5 1.3 1.3 1 0 0

**Physical Specifications**

**Diameter (D):**

10 mm +0.5 mm

**Length (L):**

12.5 mm +1.5 mm

**Lead Wire Diameter (d):**

0.6 mm +0.05 mm

**Lead Spacing:**

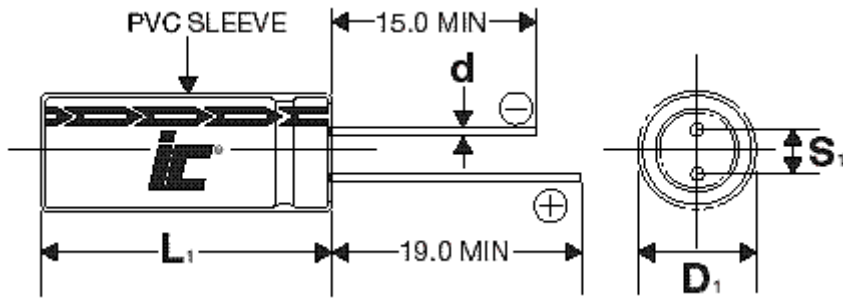
5 mm +/- 0.5 mm

**Lead Length:**

15 mm

**Coating:**

YELLOW PVC Sleeving



 **Add To Sample Cart**  
(You can always remove it later)