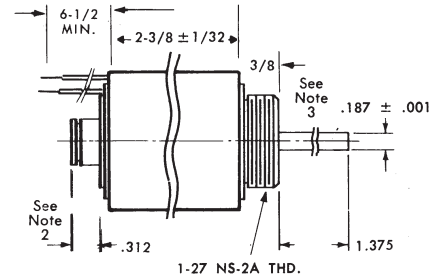
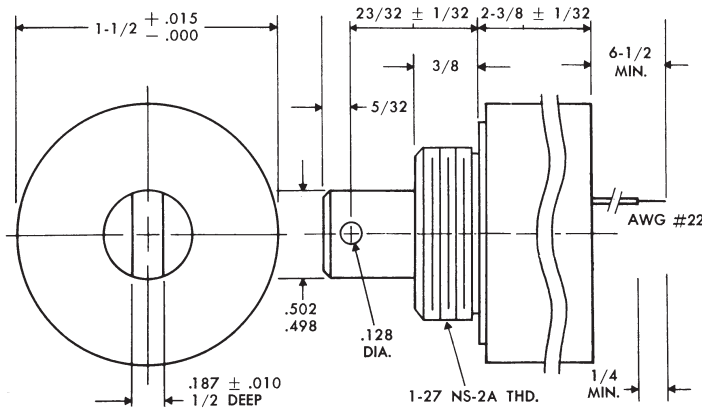
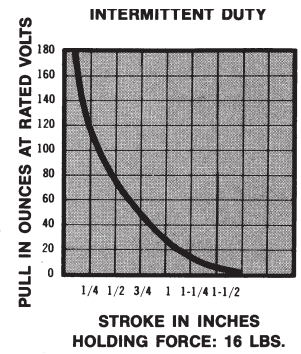
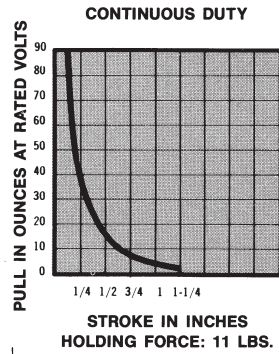


Type C24-38



Notes:

1. Solenoid shown in energized position.
2. Weight is 18 ozs.
3. Largest size thread that may be threaded on push rod #10.
4. Push force approximately 90% of pull forces shown.

Type C24-38

Specifications	
Size	1½" Diameter x 2¾" Long (From Mounting Surface)
Weight	18 Oz. Max.
Mounting	1-27 Threaded Bushing (Nut and Lockwasher Supplied)
Dielectric Strength	500 VRMS
Insulation Material	Class "A" (105° C)
Life Expectancy	10 Million Cycles at Rated Load
Nominal Coil Power	Continuous Duty—10 Watts Intermittent Duty (10%)—60 Watts (One Minute Max. on Time)

Standard Coils		
Nominal Volts (D.C.)	Resistance (OHMS ± 10%) at 25°C	
	Continuous Duty	Intermittent Duty
6	3.6	.6
12	14.5	2.4
24	58.0	9.6
110	1323.0	220.0
Other Coils and Duty Cycles Available Upon Request		

Catalog Number	Electroswitch P/N	Voltage	Duty Cycle	Coil Power (Watts)	Pull (Ounces)				Weight (Ounces)
					0.125	0.250	0.500	0.75	
C24-38C24DC-AY	4-6319-513	24	cont.	10.0	90.0	40.0	15.0	8.0	18
C24-381024DC-AY	4-6319-503	24	10%	60.0	180.0	120.0	75.0	45.0	18
C24-38C12DC-AY	4-6319-512	12	cont.	10.0	90.0	40.0	15.0	8.0	18
C24-381012DC-AY	4-6319-502	12	10%	60.0	180.0	120.0	75.0	45.0	18
					Push (Ounces)				
C24-38C12DC-AP	4-6319-612	12	cont.	9.0	80.0	36.0	13.5	7.0	18