



➔ **Product Type**  
**Miniature Rocker Switches**

➔ **Product Series**  
**622/632-Series**

➔ **Description**

The 622/632-Series miniature rocker switches are nonilluminated or illuminated and are available in single or double pole configurations. These switches provide 100 amp inrush capability. They fit into industry standard cutout dimensions, and include a quick-make contact mechanism. Other features include a small, shallow base, a contemporary actuator design and availability of a single pole circuit with an independent lamp. These switches are offered in a single throw and maintained circuit. They come in a variety of rocker colors, terminations, lamp voltages and legend options.

<b>Certifications</b>	UL CSA
<b>Number of Poles</b>	1 & 2 pole
<b>Ratings</b>	10A 250VAC 16A 125VAC 12A  8A 250VAC 1/2HP 125VAC 1/2HP
<b>Dielectric Strength</b>	1,500 V RMS (minimum)

<b>Insulation Resistance</b>	50 megohms (minimum)
<b>Base Material</b>	Polysulfone Flammability Rating - UL 94 V-0
<b>Actuator Style</b>	Solid Color Rocker Translucent Solid Color Rocker
<b>Actuator Material</b>	Polycarbonate
<b>Terminal Options</b>	Solder Lugs .187 QC Tabs
<b>Mounting Method</b>	Snap-In
<b>Mounting Hole Dimensions</b>	.508" x .756"; 12.9mm x 19.2mm
<b>Value Added</b>	Custom colors and legends available LED's Wire leads with connectors

**622/632-Series Miniature Rocker Switches**



A high powered offering packed into a compact sized envelope, the 622/632-Series is a staple of the Appliance, Food Service, Transportation, and General Purpose markets. The silver-alloy butt contacts will handle inrush spikes up to 125 amps and steady state current to 16A 125VAC. The lighted 632-Series features a multitude of illumination circuit options available with LED, incandescent and neon style lamps.

**Dielectric Strength**

UL/CSA: 1000V - live to dead metal parts & opposite polarity

**Electrical Life**

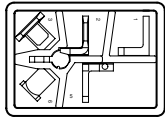
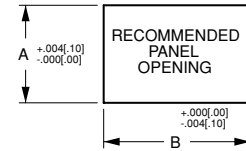
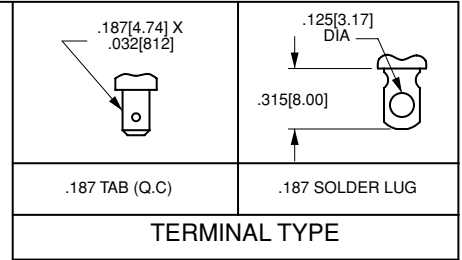
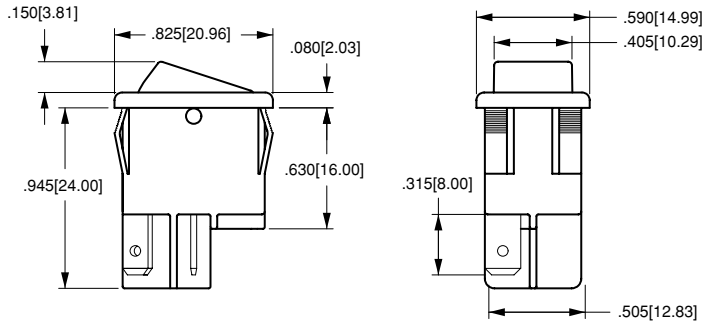
50,000 cycles

**Mechanical Life**

100,000 cycles

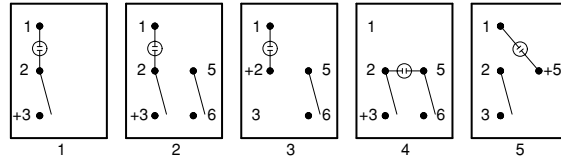
**Operating Temperature**

32°F to 185°F (0°C to 85°C)



632 SCHEMATIC

UNBALLASTED



PANEL THICKNESS	A	B
.030[.76]-.050[1.27]	.508[12.90]	.756[19.20]
.050[1.27]-.078[1.98]	.508[12.90]	.764[19.40]
.078[1.98]-.125[3.17]	.508[12.90]	.780[19.81]

**632121 - 1 B - K N**

1 Base Part Number      2 Actuator Color\*      3 Base Color      4 Lamp\*      5 Legend

**1 BASE PART NUMBER: SERIES/CIRCUITRY/RATING<sup>2</sup>/TERMINATION**  
 8A 250VAC; 12A 125VAC; 1/2 HP 125-250VAC  
 622-SERIES NON-ILLUMINATED ROCKER

ON-NONE-OFF (Single Pole)  
 ON-NONE-OFF (Double Pole)

**632-SERIES ILLUMINATED ROCKER**

ON-NONE-OFF (Single Pole, dependent lamp) schematic 1  
 ON-NONE-OFF (Single Pole, independent lamp) schematic 3  
 ON-NONE-OFF (Single Pole, independent lamp unballasted) schematic 5  
 ON-NONE-OFF (Double Pole, dependent lamp w/ 5 terms.) schematic 2  
 ON-NONE-OFF (Double Pole, dependent lamp w/ 4 terms.) schematic 4

Solder Lugs	.187 Tabs
622121	622122
622221	622222
632121	632122
632321	632322
632521	632522
632221	632222
632421	632422

**2 ACTUATOR COLOR\***

622 (non illuminated)  
 B black  
 W white

632 (illuminated)  
 1 clear amber  
 2 clear red  
 3 clear blue<sup>3</sup>  
 4 clear green  
 5 clear

**3 BASE COLOR\***

B black      W white

**4 LAMP VOLTAGE/STYLE\***

Lamp	A
N 622 (non illuminated)	6V incandescent
1 unballasted LED	12V incandescent
2 6V LED	18V incandescent
3 12V LED	24V incandescent
4 24V LED	J 125V neon
	K 250V neon

**5 ROCKER LEGEND**

hot stamp	Legend
NO LEGEND	N
OFF-ON vertical	A
OFF-ON horizontal	B
I-O horizontal	D
I-O vertical	E
O on rocker radius	F

NOTES

- For all incandescent or LED lamps specify 5 in 5th digit of part number. Example 632151-1B-CN
- 10A 250VAC, 16A 125 VAC rating available for select single pole circuits, consult factory for details.
- Available with incandescent lamps only.