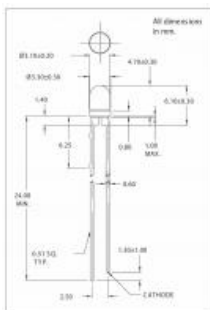




Products

LEDs

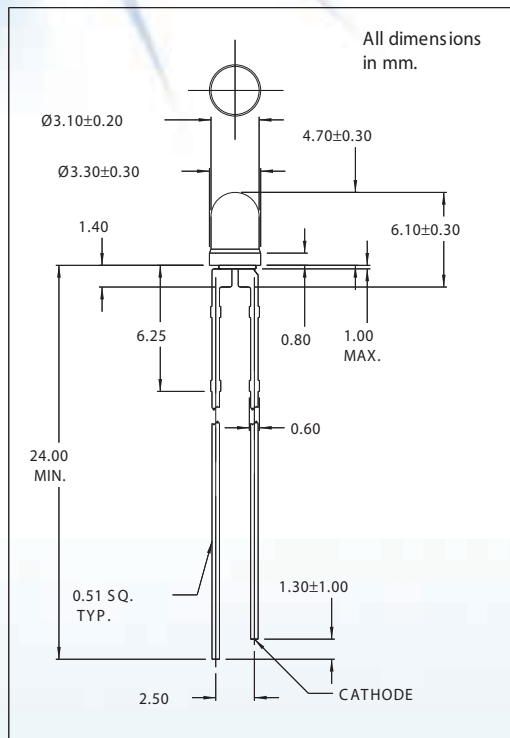
CML IT is a world leader in the manufacturing of LEDs and LED assemblies. CML offers a wide variety of products utilizing LEDs as a light source. Our line of discrete LEDs consists of both through hole and SMT products in all of the standard industry sizes including 3mm, 5mm, 0603, 0805, 1206, PLCC and any others. All CML-IT LEDs are available off-the-shelf in a wide variety of colors and intensities. Binning for through LEDs is one competitive service of CML Innovative Technologies, please contact us.



Part Number: 4303F3
Serial Number: 4303F
LED Type: THRU HOLE
Industry Size: T-1
Metric Size: 3.0 mm
Output Color: AMBER
Epoxy: AMBER DIFFUSED
Peak Wave length (nm): 603
Minimum MCD: All
Typical MCD: 16
Forward Volt (Typical): 2.2
Forward Volt (Max): 3.0
Rate Current (mA): 10.0
Viewing Angle (°): 55
Operating Temperature: -0.294117647
Storage Temperature: -0.3
Power Dissipation: 135
Cont Forward Current Max: 30.0
RoHS Status: Yes

4303F Series Solid State LED Lamps-Super Brite T-1 (3mm)

DESCRIPTION AND FEATURES



T-1 Super Brite LEDs

- High intensity light output
- Diffused lens
- Wide viewing angle - 90°

ELECTRO-OPTICAL CHARACTERISTICS AND RATINGS

PART NUMBER	4303F1	4303F3	4303F5	4303F7
Output Color	Red	Amber	Green	Yellow
Diffusion	Diffused	Diffused	Diffused	Diffused
Package Color	Red	Amber	Green	Yellow
Test Current (mA)	10	10	10	10
Forward Voltage Typ. (V)	2.0	2.2	2.2	2.1
Forward Voltage Max. (V)	3.0	3.0	3.0	3.0
Luminous Intensity Min. (mcd)	3.6	3.0	16.0	6.3
Luminous Intensity Typ. (mcd)	10.0	7.0	10.0	10.0
Luminous Intensity Max. (mcd)	3.0	3.0	3.0	3.0
Peak Wavelength (nm)	650	603	562	585
Viewing Angle 2θ 1/2 (degrees)	90	60	90	90
Power Dissipation (mW)	120	135	120	120
Peak Forward Current @ 1Ms-300 PPS (A)	1.0	.5	.09	1.0
Reverse Voltage (IR=100µA) (V)	5	5	5	5