

## Item # 731-0041 Model 711/731 Electromechanical Hour Meter



### Model 711/731 Electromechanical Hour Meter

The Redington Model 711/731 provides a family of compact 7 figure, AC or DC Hour Meters. Models are available in the standard industry housings, 2-Hole rectangular, flush-round and flush-rectangular. DC Models are quartz controlled for high reliability and accuracy. A choice of two rectangular panel cutouts are offered 1.45 inch x 0.95 inch (36.8 x 24.1mm) or 1.45 inch x 0.87 inch (36.8mm x 2.1mm). The Round meter has a panel cutout of 1.99 inch (50.5mm).

---

### Specifications

---

<b>Model No.</b>	731
<b>Mounting</b>	Flush Rectangular
<b>Reset</b>	Non-reset
<b>Termination</b>	1/4 inch (6.3mm) spade terminals
<b>Display</b>	7 figures, 0.14 inch (3.6mm) 99999.99
<b>Display Height</b>	0.14 Inch
<b>Display Height</b>	3.6 mm
<b>No. of Digits</b>	7
<b>Records</b>	99999.99 hours
<b>Input Voltage</b>	10-28 VDC
<b>Power</b>	0.4 watts
<b>Operating Temperature</b>	-40 to +180 °F
<b>Operating Temperature</b>	-40 to +82 °C
<b>Storage Temperature</b>	-40 to +185 °F
<b>Storage Temperature</b>	-40 to +85 °C
<b>Case Material</b>	Black Polymer
<b>Weight</b>	1.2 oz
<b>Weight</b>	35 gm
<b>Panel Cutout</b>	1.45 x 0.87 Inch
<b>Panel Cutout</b>	36.8 x 22.1 mm
<b>Approvals</b>	CE Compliant, UL/cUL Recognized
<b>Front Panel</b>	IP65
<b>Transient Immunity</b>	EMI: ± 400V

<b>Alternator Load Dump</b>	150V inductive switching, reverse polarity and over voltage protection
<b>Shock</b>	55 g's
<b>Vibration</b>	20 g's
<b>Humidity</b>	95% RH, SAE J 1378
<b>Stock Availability</b>	No
<b>Quartz Accuracy</b>	0.01%



**Description**

The Redington Model 711/731 provides a family of compact 7 figure, AC or DC Hour Meters. Models are available in the standard industry housings, 2-Hole rectangular, flush-round and flush-rectangular. DC Models are quartz controlled for high reliability and accuracy. A choice of two rectangular panel cutouts are offered 1.45" X 0.95" [36.8mm X 24.1mm] or 1.45" X 0.87" [36.8mm X 2.1mm]. The Round meter has a panel cutout of 1.99" [50.5mm].

**Features**

- 7 figure, 99999.99
- Various voltage inputs
- Quartz accuracy (DC)
- Large figures, 0.14" [3.6mm]
- CE Compliant
- UL Recognized/CSA Certified for AC
- UL/cUL Recognized for DC

**Options**

- Special voltages
- Terminations
- Panel cutout

**Specifications**

**Figures:** 7 figures, 0.14" [3.6mm] 99999.99  
**Reset:** Non-reset  
**Voltages:** 24, 115 or 230VAC (± 10%), 50 or 60 Hz 10-28VDC  
**Power:** 2 watts AC, 0.4 watts DC  
**Mounting:** Clip or mounting holes  
**Termination:** 1/4" [6.3mm] spade terminals with screws (AC)  
 1/4" [6.3mm] spade terminals (DC)  
**Accuracy:** 0.01% (DC) quartz  
**Case Material:** Black polymer  
**Agency Approvals:** CE Compliant  
 UL Recognized/CSA Certified for AC  
 UL/cUL Recognized for DC  
**Weight:** 1.2oz. [35g]

**Environmental:**  
**Front Panel:** IP65  
**Operating Temperature:** -22°F to +180°F [-30°C to +82°C]  
**Storage Temperature:** -40°F to +185°F [-40°C to +85°C]  
**Vibration:** 1g [10/500Hz] IEC 68-T2-34  
**Shock:** 30g [18ms] IEC 68-T2-27  
 25g [16ms] IEC 68-T2-19

**Models**

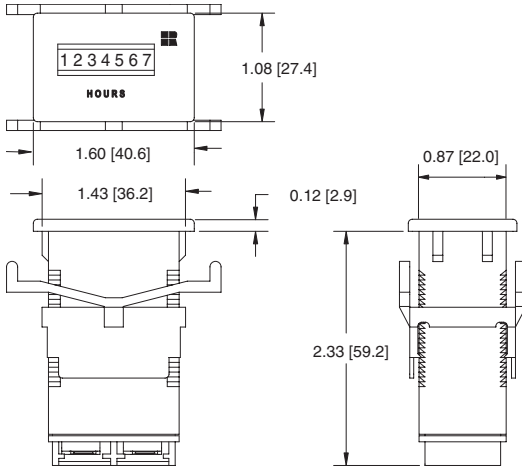
Models	Voltage AC	Mount	Panel Cut-out		
			1.45 X .87	1.45 X .95	1.99
711-0013	115VAC/60Hz	Round			X
711-0014	230VAC/60Hz	Round			X
<b>711-0113</b>	115VAC/60Hz	Flush Rect	X		
<b>711-0114</b>	24VAC/60Hz	Flush Rect.	X		
711-0120	115VAC/60Hz	Flush Rect		X	
711-0123	230VAC/60Hz	Flush Rect.		X	
<b>711-0130</b>	115VAC/60Hz	2-Hole	X		
711-0131	230VAC/60Hz	2-Hole	X		
711-0132	24VAC/60Hz	2-Hole	X		
711-0133	115VAC/50Hz	2-Hole	X		
711-0138	230VAC/60Hz	Flush Rect.	X		

Models	Voltage DC	Mount	Panel Cut-out		
			1.45 X .87	1.45 X .95	1.99
731-0006	10-28VDC	Round			X
<b>731-0040</b>	10-28VDC	2-Hole			
731-0041	10-28VDC	Flush Rect	X		
731-0042	10-28VDC	Flush Rect		X	
731-0051	10-28VDC	2-Hole		X	

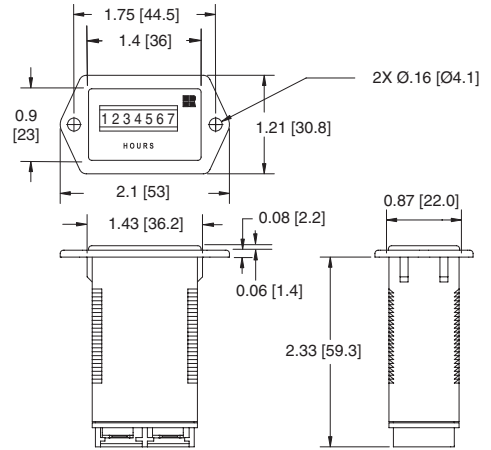
\* Items in bold are normally in factory stock.



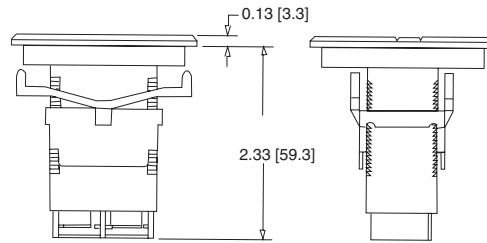
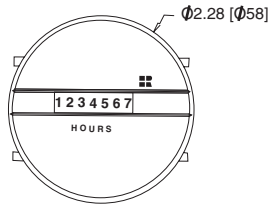
Dimensions



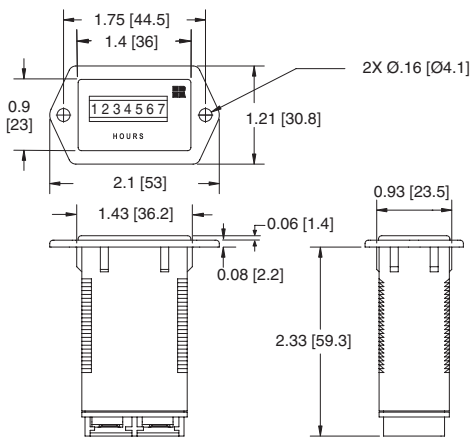
PANEL OPENING 1.45 [36.8] X 0.87 [22.1]  
PANELTHICKNESS 0.50" [12.7]



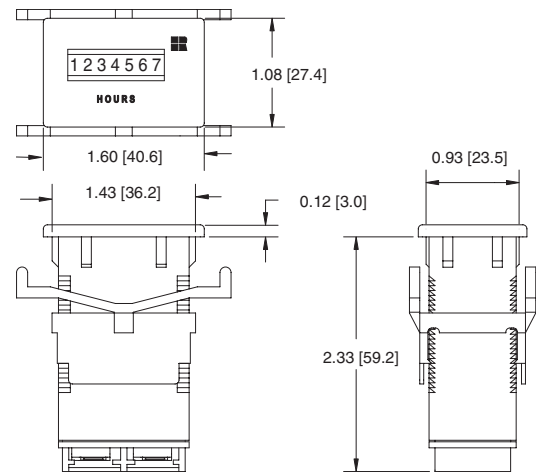
PANEL OPENING 1.45 [36.8] X 0.87 [22.1]



PANEL OPENING 1.99 [50.5] DIA



PANEL OPENING 1.45 [36.8] X 0.95 [24.1]



PANEL OPENING 1.45 [36.8] X 0.95 [24.1]  
PANELTHICKNESS 0.50" [12.7]

Applications

Medical equipment



Test equipment



Office equipment

