

**Tippette Switches**



The Tippette Series is a traditionally styled rocker switch, available in sealed or unsealed versions. These switches are appropriate for use in those applications not requiring the more stringent sealing protection of the V-Series and L-Series switches. The Tippette Series is available in both illuminated and non-illuminated versions and features a wide variety of circuits, actuator styles and bracket options. This versatile offering includes international agency certifications and ratings to 26 amps for select circuits.

**Electrical**

Contact Rating . . . . .	15 amps, 125 VAC 10 amps, 250 VAC 3/4 HP 125-250 VAC 15 amps, 12-30 VDC
Life . . . . .	25,000 cycles circuit dependent 50,000 cycles circuit dependent consult factory for applicable circuits.
Contacts . . . . .	Fine silver, silver cad-oxide
Terminals . . . . .	Brass or copper/silver plate 1/4" (6.3mm) Quick Connect terminations standard. Solder lug - Brass Tin Plated Wire Lead 16 gauge standard 105°C 600VAC Screw Terminals - Brass

**Mechanical**

Endurance . . . . . 100,000 cycles minimum

**Physical**

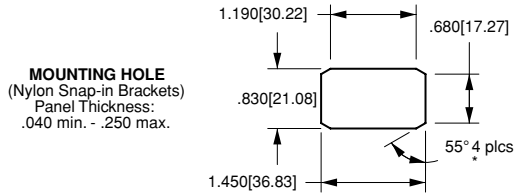
Lighted . . . . .	Incandescent - rated 10,000 hours Neon - rated 25,000 hours
Seals . . . . .	Bracket - Actuator WBL/MBL optional external gasket panel seal
Base . . . . .	Phenolic (150°C)
Rocker/Bracket . . . . .	Nylon 66 (105°C)

**Agency Certifications**



Select circuits and constructions with IEC approvals are available. Consult factory.

**Mounting**



\*Angled corners are suggested for optimum fit. Standard rectangular cutout is acceptable.

**TIGA51 - 6M - BL - MBL**

<sup>1</sup> Base Part Number

<sup>2</sup> Actuator Style

<sup>3</sup> Actuator Color

<sup>4</sup> Bracket

**1 BASE PART NUMBER: SERIES/POLES/CIRCUITRY<sup>8, 11, 13</sup>/RATING<sup>7</sup>/TERMINATION<sup>10</sup>**  
**10A 250VAC, 15A 125VAC, 3/4 HP 125-250VAC, 15A 6-28VDC<sup>7</sup>**  
**Single Pole in Double Pole base<sup>2</sup>**

solder .250		screw wire		lug tab		term. leads		
TIGA50	TIGA51	TIGA54	TIGA55	ON-NONE-OFF	TIGK50	TIGK51	TIGK54	TIGK55
TIGA5A	TIGA5B	TIGA5E	TIGA5F	(ON)-NONE-OFF	TIGK5A	TIGK5B	TIGK5E	TIGK5F
TIGA5L	TIGA5M	TIGA5S	TIGA5T	ON-NONE-(OFF)	TIGK5L	TIGK5M	TIGK5S	TIGK5T
TIGB50	TIGB51	TIGB54	TIGB55	ON-NONE-ON	TIGL50	TIGL51	TIGL54	TIGL55
TIGB5A	TIGB5B	TIGB5E	TIGB5F	ON-NONE-(ON)	TIGL5A	TIGL5B	TIGL5E	TIGL5F
TIGC50	TIGC51	TIGC54	TIGC55	ON-OFF-ON	TIGM50	TIGM51	TIGM54	TIGM55
TIGC5A	TIGC5B	TIGC5E	TIGC5F	ON--OFF-(ON)	TIGM5A	TIGM5B	TIGM5E	TIGM5F
TIGC5L	TIGC5M	TIGC5S	TIGC5T	(ON)-OFF-(ON)	TIGM5L	TIGM5M	TIGM5S	TIGM5T

**Double Pole**

solder .250		screw wire		lug tab		term. leads		
TIGK50	TIGK51	TIGK54	TIGK55	ON-NONE-OFF	TIGK50	TIGK51	TIGK54	TIGK55
TIGK5A	TIGK5B	TIGK5E	TIGK5F	(ON)-NONE-OFF	TIGK5A	TIGK5B	TIGK5E	TIGK5F
TIGK5L	TIGK5M	TIGK5S	TIGK5T	ON-NONE-(OFF)	TIGK5L	TIGK5M	TIGK5S	TIGK5T
TIGL50	TIGL51	TIGL54	TIGL55	ON-NONE-ON	TIGL50	TIGL51	TIGL54	TIGL55
TIGL5A	TIGL5B	TIGL5E	TIGL5F	ON-NONE-(ON)	TIGL5A	TIGL5B	TIGL5E	TIGL5F
TIGM50	TIGM51	TIGM54	TIGM55	ON-OFF-ON	TIGM50	TIGM51	TIGM54	TIGM55
TIGM5A	TIGM5B	TIGM5E	TIGM5F	ON--OFF-(ON)	TIGM5A	TIGM5B	TIGM5E	TIGM5F
TIGM5L	TIGM5M	TIGM5S	TIGM5T	(ON)-OFF-(ON)	TIGM5L	TIGM5M	TIGM5S	TIGM5T

**Three Pole**

solder .250		screw wire		lug tab		term. leads		
TIHK50	TIHK51	TIHK54	TIHK55	ON-NONE-OFF	TIHK50	TIHK51	TIHK54	TIHK55
TIHK5A	TIHK5B	TIHK5E	TIHK5F	(ON)-NONE-OFF	TIHK5A	TIHK5B	TIHK5E	TIHK5F
TIHK5L	TIHK5M	TIHK5S	TIHK5T	ON-NONE-(OFF)	TIHK5L	TIHK5M	TIHK5S	TIHK5T
TIHL50	TIHL51	TIHL54	TIHL55	ON-NONE-ON	TIHL50	TIHL51	TIHL54	TIHL55
TIHL5A	TIHL5B	TIHL5E	TIHL5F	ON-NONE-(ON)	TIHL5A	TIHL5B	TIHL5E	TIHL5F
TIHM50	TIHM51	TIHM54	TIHM55	ON-OFF-ON	TIHM50	TIHM51	TIHM54	TIHM55
TIHM5A	TIHM5B	TIHM5E	TIHM5F	ON--OFF-(ON)	TIHM5A	TIHM5B	TIHM5E	TIHM5F
TIHM5L	TIHM5M	TIHM5S	TIHM5T	(ON)-OFF-(ON)	TIHM5L	TIHM5M	TIHM5S	TIHM5T

**VDE APPROVED**  
**10A 250VAC, 15A 125VAC, 12(6)A 250VAC T85**  
**Single Pole in Double Pole base<sup>2</sup>**

solder .250		wire		lug tab		lead	
TIGA90	TIGA91	TIGA95		ON-NONE-OFF	TIGK90	TIGK91	TIGK95
TIGB90	TIGB91	TIGB95		ON-NONE-ON	TIGL90	TIGL91	TIGL95
TIGC90	TIGC91	TIGC95		ON-OFF-ON	TIGM90	TIGM91	TIGM95

**Additional ratings up to 20A 125-277VAC, 1 1/2HP 125 VAC, 2HP 250VAC are available.**  
**Consult factory for specifics.**

**3 ACTUATOR COLOR<sup>9</sup>**  
**BL black WH white RD red**

**4 BRACKET STYLE<sup>9</sup>**

<b>A</b>	Screw Mount <sup>5</sup>
<b>B</b>	Screw Mount <sup>5, 14</sup>
<b>C</b>	Screw Mount <sup>5</sup>
<b>H</b>	Screw Mount <sup>5</sup>
<b>NBL</b>	Nylon Black
<b>WBL</b>	Watershedding Black <sup>4</sup>
<b>MBL</b>	Marine Style Black <sup>5</sup>
<b>FN</b>	Metal Snap-In <sup>5</sup>
<b>FN BLK</b>	Black Metal Snap-In <sup>5</sup>
<b>FN SS</b>	Stainless Steel Snap-In <sup>5</sup>
<b>FW</b>	Wide Stainless Steel Snap-In <sup>5</sup>

- NOTES
- 1 NBL, FN, & FW brackets only.
  - 2 For single pole switch in a single pole base, specify TIL with single pole circuitry/rating/termination.
  - 3 NBL, WBL, & MBL brackets only. With 6M actuator, brackets also will be matte finish.
  - 4 6M & 6S actuators only
  - 5 Not available with 6M & 6S actuators.
  - 6 Consists of WBL bracket, neoprene seal, and dummy rivets at open holes. Consult factory for agency approval status. All ratings are appropriate for usage in low voltage applications.
  - 7 For additional special circuits, see page 21.
  - 9 Custom colors are available, consult factory.
  - 10 .187 tab and PC terminations are also available. Consult factory for catalog number callout.
  - 11 ( ) momentary
  - 12 Not available with WBL or MBL style brackets.
  - 13 Additional circuits available. See page 21.
  - 14 Available with single pole TIL-Series only.
  - 15 Available with bracket A, C or H only.
  - 16 Not available with MBL or H brackets. Can be supplied as a double rocker to control separate poles of a TIG, TH or TII switch. Consult factory for details.

**2 ACTUATOR STYLE**

<b>1S</b>	Angular/Smooth Face Gloss <sup>12</sup>	<b>6M</b>	Curved/Smooth Face Matte <sup>3</sup>
<b>1C</b>	Angular/Cross Serations Gloss <sup>12</sup>	<b>6S</b>	Curved/Smooth Face Gloss <sup>3</sup>
<b>1F</b>	Flatted/Smooth Face Gloss <sup>12</sup>	<b>7S</b>	Rounded Paddle/Smooth Face Gloss <sup>1</sup>
<b>1L</b>	Angular/Longline Serations Gloss <sup>1, 12</sup>	<b>7N</b>	Witch's Hat/Narrow <sup>15</sup>
<b>2L</b>	Long Smooth/Narrow <sup>16</sup>	<b>7P</b>	Witch's Hat/Wide <sup>15</sup>

**LTILA51 - 6M - BL - RC - MBL - 12V**

<sup>1</sup> Base Part Number

<sup>2</sup> Actuator Style

<sup>3</sup> Actuator Color

<sup>4</sup> Lens Color

<sup>5</sup> Bracket

<sup>6</sup> Lamp Voltage

**1 BASE PART NUMBER: SERIES/POLES/ILLUMINATION/CIRCUITRY<sup>12</sup>/RATING<sup>10</sup>/TERMINATION<sup>14</sup>**  
**10A 250VAC, 15A 125VAC, 3/4 HP 125-250VAC, 15A 15-28VDC**  
**illuminated Single Pole in Double Pole base**

solder .250		screw wire		lug tab		term. leads		
LTILA50	LTILA51	LTILA54	LTILA55	ON-NONE-OFF	LTIGK50	LTIGK51	LTIGK54	LTIGK55
LTILA5A	LTILA5B	LTILA5E	LTILA5F	(ON)-NONE-OFF	LTIGK5A	LTIGK5B	LTIGK5E	LTIGK5F
LTILA5L	LTILA5M	LTILA5S	LTILA5T	ON-NONE-(OFF)	LTIGK5L	LTIGK5M	LTIGK5S	LTIGK5T
LTILB50	LTILB51	LTILB54	LTILB55	ON-NONE-ON	LTIGL50	LTIGL51	LTIGL54	LTIGL55
LTILB5A	LTILB5B	LTILB5E	LTILB5F	ON-NONE-(ON)	LTIGL5A	LTIGL5B	LTIGL5E	LTIGL5F
LTILC50	LTILC51	LTILC54	LTILC55	ON-OFF-ON	LTIGM50	LTIGM51	LTIGM54	LTIGM55
LTILC5A	LTILC5B	LTILC5E	LTILC5F	ON--OFF-(ON)	LTIGM5A	LTIGM5B	LTIGM5E	LTIGM5F
LTILC5L	LTILC5M	LTILC5S	LTILC5T	(ON)-OFF-(ON)	LTIGM5L	LTIGM5M	LTIGM5S	LTIGM5T

**illuminated Double Pole**

solder .250		screw wire		lug tab		term. leads		
LTIGK50	LTIGK51	LTIGK54	LTIGK55	ON-NONE-OFF	LTIGK50	LTIGK51	LTIGK54	LTIGK55
LTIGK5A	LTIGK5B	LTIGK5E	LTIGK5F	(ON)-NONE-OFF	LTIGK5A	LTIGK5B	LTIGK5E	LTIGK5F
LTIGK5L	LTIGK5M	LTIGK5S	LTIGK5T	ON-NONE-(OFF)	LTIGK5L	LTIGK5M	LTIGK5S	LTIGK5T
LTIGL50	LTIGL51	LTIGL54	LTIGL55	ON-NONE-ON	LTIGL50	LTIGL51	LTIGL54	LTIGL55
LTIGL5A	LTIGL5B	LTIGL5E	LTIGL5F	ON-NONE-(ON)	LTIGL5A	LTIGL5B	LTIGL5E	LTIGL5F
LTIGM50	LTIGM51	LTIGM54	LTIGM55	ON-OFF-ON	LTIGM50	LTIGM51	LTIGM54	LTIGM55
LTIGM5A	LTIGM5B	LTIGM5E	LTIGM5F	ON--OFF-(ON)	LTIGM5A	LTIGM5B	LTIGM5E	LTIGM5F
LTIGM5L	LTIGM5M	LTIGM5S	LTIGM5T	(ON)-OFF-(ON)	LTIGM5L	LTIGM5M	LTIGM5S	LTIGM5T

**Additional ratings up to 12A 250VAC, 17A 125 VAC, 3/4 HP 125 VAC, 1HP 250VAC are available.**  
**Consult factory for specifics.**  
**Three pole switch is also available: Substitute H for fourth digit of part number. ex. LTIHK51**

**2 ACTUATOR STYLE<sup>4</sup>**

<b>1S</b>	Angular/Smooth Face Gloss <sup>1</sup>
<b>1C</b>	Angular/Cross Serations Gloss <sup>1</sup>
<b>1L</b>	Angular/Longline Serations Gloss <sup>1</sup>
<b>6M</b>	Curved/Smooth Face Matte <sup>3</sup>
<b>6S</b>	Curved/Smooth Face Gloss <sup>3</sup>
<b>7S</b>	Rounded Paddle/Smooth Face Gloss <sup>2</sup>

**3 ACTUATOR COLOR<sup>11</sup>**  
**BL black WH white RD red**

**4 LENS COLOR<sup>13</sup>**

<b>AM</b>	amber	<b>RC</b>	red	<b>GN</b>	green <sup>7</sup>
<b>LU</b>	blue <sup>7</sup>	<b>CL</b>	clear	<b>WH</b>	white

**5 BRACKET STYLE<sup>11</sup>**

<b>NBL</b>	Nylon Black
<b>WBL</b>	Watershedding Black <sup>5</sup>
<b>MBL</b>	Marine Style Black <sup>5, 6</sup>
<b>FN</b>	Metal Snap-In <sup>4, 6</sup>
<b>FN BLK</b>	Black Metal Snap-In <sup>4, 6</sup>
<b>FN SS</b>	Stainless Steel Snap-In <sup>4, 6</sup>

**6 LAMP VOLTAGE**

<b>incandescent</b>					
<b>125N</b>	125 volt	<b>250N</b>	250 volt		
<b>neon<sup>9</sup></b>					
<b>6V</b>	6 volt	<b>12V</b>	12 volt	<b>18V</b>	18 volt
<b>24V</b>	24 volt	<b>28V</b>	28 volt		

- NOTES
- 1 NBL, FN, & FW brackets only. Double pole circuits provided with 3 pole base.
  - 2 LTIL-Series with NBL, FN, & FW brackets only.
  - 3 NBL, WBL, & MBL brackets only. With 6M actuator, bracket will also be matte finish.
  - 4 1S, 1C, 1L & 7S with NBL bracket only available with LTIL-Series.
  - 5 6M, 6S actuators only.
  - 6 Not available with 6M and 6S actuators.
  - 7 Not recommended with neon lamps.
  - 8 Consists of WBL bracket, neoprene seal, dummy rivets at open holes. Consult factory for agency approval status.
  - 9 Not recommended with blue or green lenses.
  - 10 All ratings are appropriate for usage in low voltage applications.
  - 11 Custom colors and additional bracket styles are available, consult factory.
  - 12 ( ) momentary
  - 13 All double throw circuits supplied with two lenses. To specify two different lens colors, specify second color, after first color. (ex. LTIGM51-6S-BL-RC/GN-WBL-12V)
  - 14 .187 tab and PC terminations are also available. Consult factory for catalog number callout.

**1C**  
CROSS-LINE W/ONE LENS



WITH .250 TAB  
TERMINALS  
AND NBL BRACKET

**1L**  
LONG-LINE W/ONE LENS



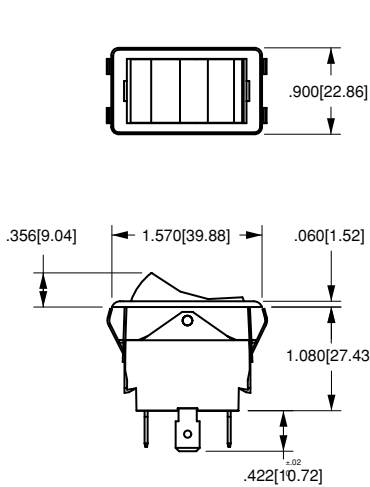
WITH SOLDER LUG  
TERMINAL  
AND NBL BRACKET

**1S**  
SMOOTH W/ONE LENS



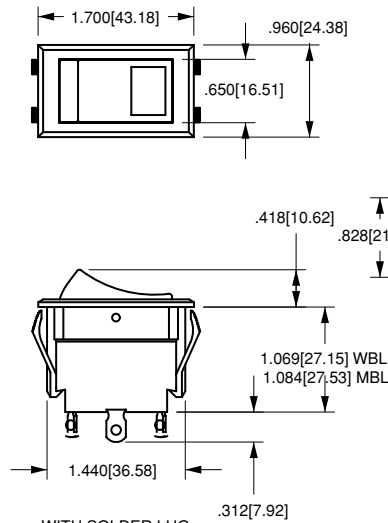
WITH .250 TAB  
TERMINALS  
AND NBL BRACKET

**1F**  
FLATTED STYLE NO LENS



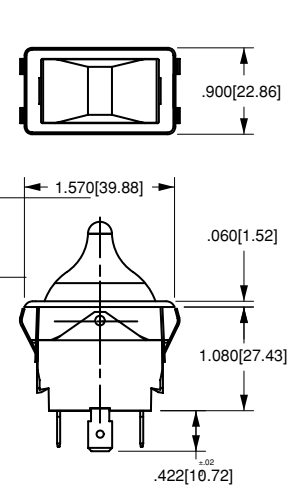
WITH .250 TAB  
TERMINALS  
AND FN BRACKET

**6M, 6S**  
CURVED W/ONE LENS



WITH SOLDER LUG  
TERMINALS  
AND WBL/MBL BRACKET

**7S**  
TOGGLE-STYLE W/ONE LENS

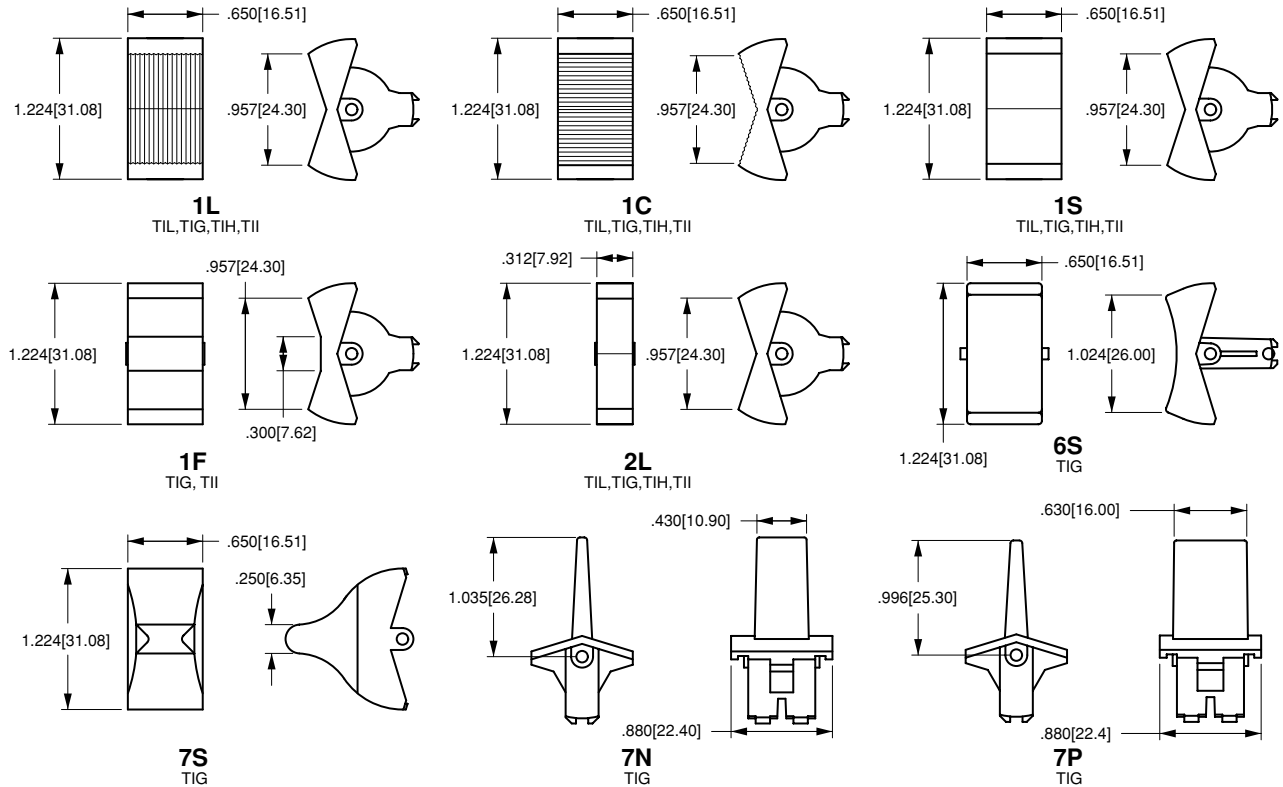


WITH .250 TAB  
TERMINALS  
AND FN BRACKET

**1C**  
TII-SERIES CROSS-LINE W ONE LENS



WITH .250 TAB TERMINALS AND A BRACKET



**Special Circuits for Tippette Rocker Switches**

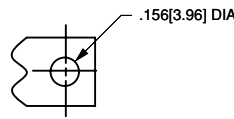
Circuit	Position 1	Position 2	Position 3
Progressive Two Circuit			
<b>GG</b>	BOTH CIRCUITS ON	ONE CIRCUIT ON	OFF
<b>GG</b>	BOTH CIRCUITS (ON)	ONE CIRCUIT ON	OFF
Single Pole Triple Throw			
<b>GE</b>	ON	ON	ON
Two Circuit			
<b>GH</b>	CIRCUIT 1 ON	BOTH CIRCUITS ON	CIRCUIT 2 ON
<b>GP</b>	CIRCUIT 2 ON	CIRCUIT 1 ON	OFF
Reversing Double Pole Double Throw			
<b>GO</b>	ON	OFF	ON
<b>GX</b>	ON	NONE	ON

( ) Indicates momentary function.

**Dimensional Specifications: in. [mm]**



**TAPPED HOLE**  
Standard with  
A & B Brackets



**CLEARANCE HOLE**  
Standard with  
C Bracket



**MOUNTING HOLE**  
(Nylon Snap-in Brackets)  
Panel Thickness:  
.030 min. - .250 max.

\* Angled corners are suggested for optimum fit. Standard rectangular cutout is acceptable.

TIL	TIG	TII	TIH
<p><b>A</b> TIL</p>	<p><b>A</b> TIG</p>	<p><b>A</b> TII</p>	<p><b>A</b> TIH</p>
<p><b>B</b> TIL</p>	<p><b>B</b> TIG, TII</p>		
<p><b>C*</b> TIL</p>	<p><b>C</b> TIG</p>	<p><b>C</b> TIH, TII</p>	

