

## 2 SERIES

- **MINIATURE BAYONET NON-GROUNDED OR GROUNDED LAMPHOLDERS**
- **6" WIRE LEADS • ELECTRO-TINNED PLATED STEEL SHELL**
- **VULCANIZED FIBER SLEEVE ON NON-GROUNDED UNITS**
- **MAXIMUM RATING: 75 WATTS, 125 VOLTS**

### Overview

The 2 Series lampholders are constructed with a electro-tinned plated steel shell and 6" wire leads. Lampholders can be supplied as either non-grounded or grounded units. Non-grounded units are supplied with an insulating gray vulcanized fiber sleeve and two wire leads. Grounded units are supplied with one wire lead. A separate ground wire is available upon request. Many bracket and mounting options are available including several 5/8" mounting hole plug buttons and a threaded bushing for 19/64" mounting holes. Lampholders are designed for use with miniature bayonet lamps.

### Specifications

**Shell:** electro-tinned plated steel.

**Sleeve:** gray vulcanized fiber sleeve supplied with non-grounded lampholders.

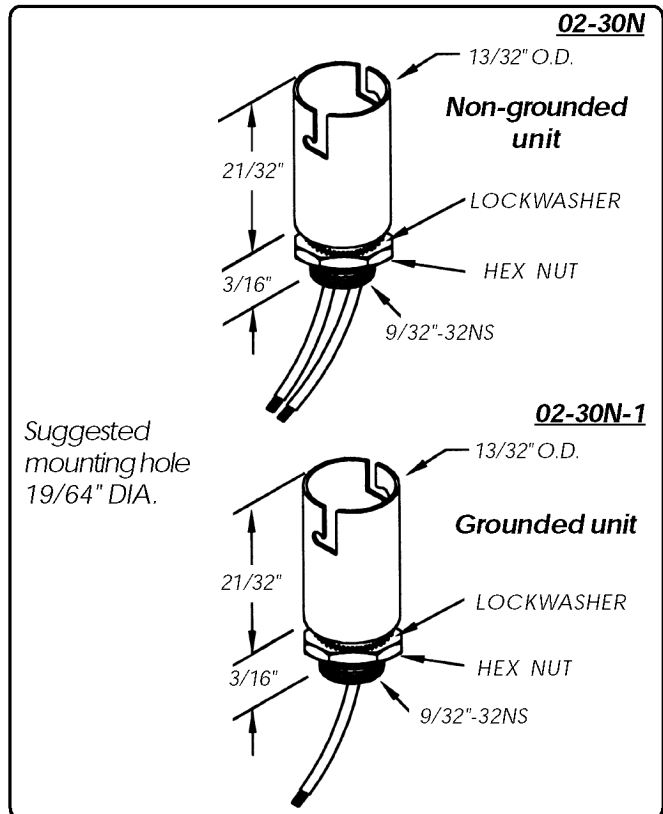
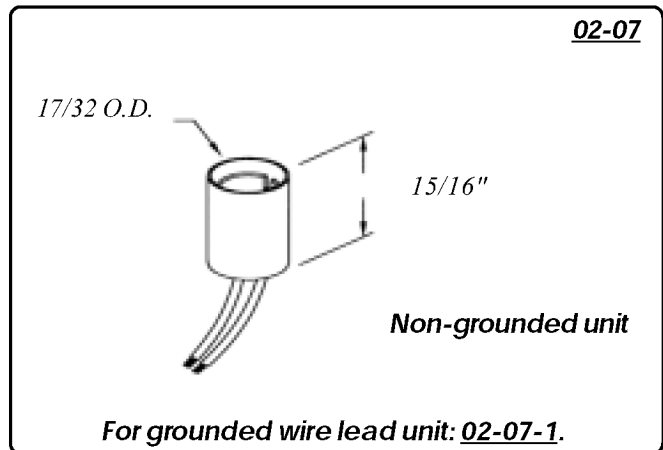
**Wire leads: 6" Leads:** #22 AWG, black & white, tinned copper with overcoat, PVC insulated, UL/CSA rated 80°C, stripped 1/2". Non-grounded units are supplied with two 6" wire leads. Grounded units are supplied with one black 6" wire lead. Custom wire lengths, stripping, termination and wire types are also available.

**Mounting brackets:** .025" to .032" zinc plated steel. Custom brackets and plating types are available.

**Threaded bushing:** for 19/64" diameter mounting hole. Supplied with lockwasher and hex nut.

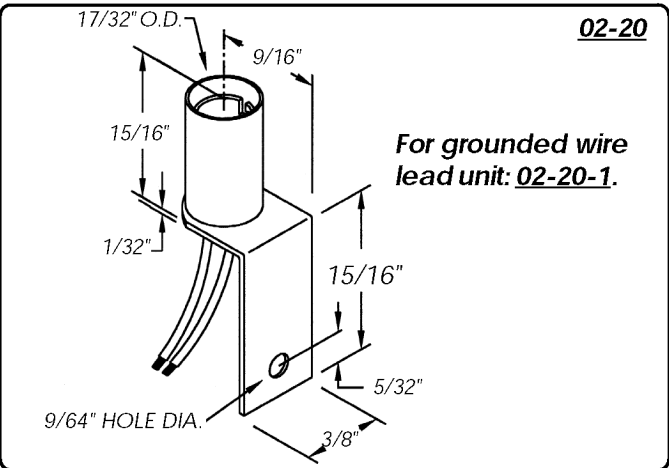
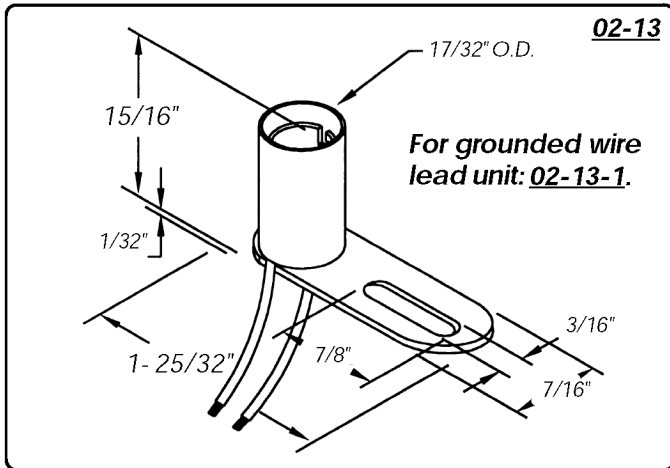
**Plug buttons:** zinc-plated steel for 5/8" mounting hole.

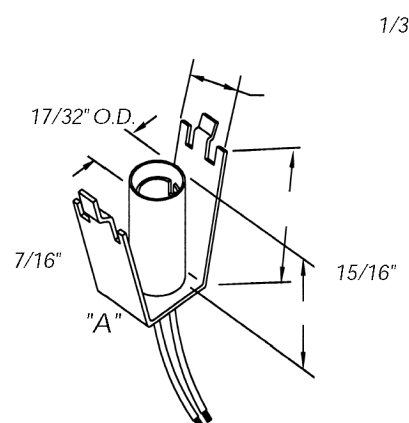
**Maximum rating:** 75 Watts, 125 Volts.



**2 Series**  
**Maximum Rating: 75 Watts, 125 Volts**  
**Non-Grounded or Grounded Units**

**Electro-Tinned Plated Steel Shell**  
**6" Wire Leads**  
**(Non-Grounded Units Have Fiber Sleeve)**

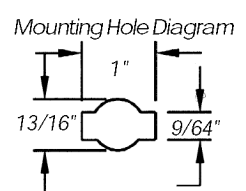




Bracket No.	"A" Dimension
-14	7/8"
-15	1-1/4"
-18	1-1/2"
-82	1"

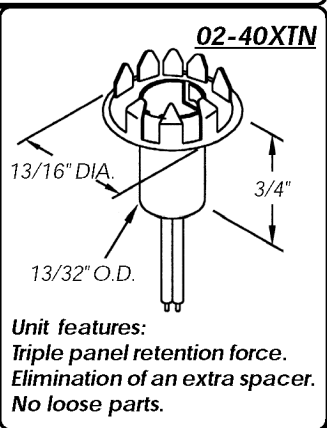
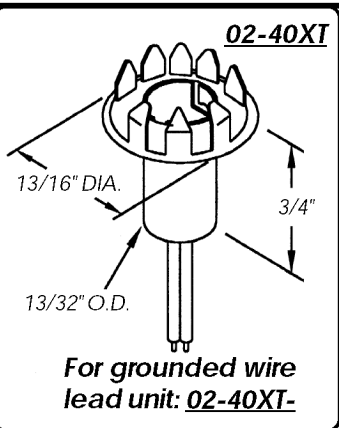
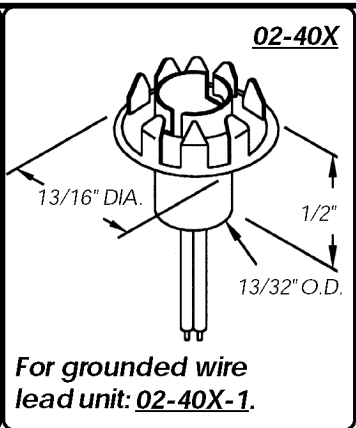
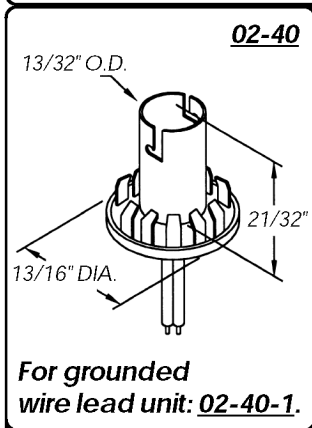
Maximum Panel Thickness .045"

**02-14**  
**02-15**  
**02-18**  
**02-82**



Mounting Hole Diagram

**For grounded wire lead units:**  
**02-14-1, 02-15-1, 02-18-1, 02-82-1.**



Plug buttons: zinc-plated steel, for 5/8" hole with panel thickness range 1/16" to 3/32".