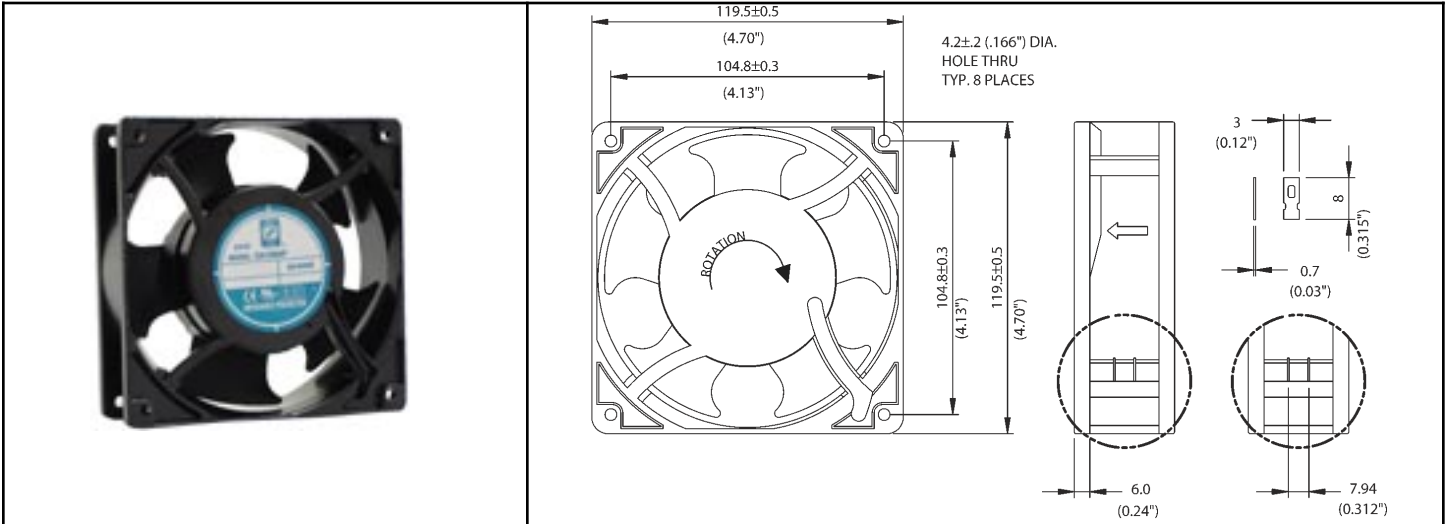


# OA109 Series



AC Fan - 115V, 230V, Dual Voltage  
120x38mm (4.7"x 1.5")



Frame	Diecast Aluminum	<u>Operating Temperature</u> Ball Bearing -20C ~ +80C Sleeve Bearing -10C ~ +50C	
Impeller	PBT, UL94V-O plastic		
Connection	2x 300mm Lead wires or terminals	<u>Life Expectancy</u> Ball Bearing 60,000 hours (L10 at 40C) Sleeve Bearing 30,000 hours (L10 at 40C)	
Motor	AC shaded pole, impedance and thermally protected		
Bearing System	Dual ball or Sleeve	<u>Dual Voltage</u> Fans can be configured to run on 115V or 230V. Connection via 4x leads	
Insulation Resistance	10M ohm between leadwire and frame (500VDC)		
Dielectric Strength	1 min at 1500 VAC, 50/60Hz		

Model Number	Speed (RPM)	Airflow (CFM)	Noise (dB)	Volts AC	Voltage Range	Watts	Max. Static Pressure (\"H2O)
OA109AP-11-1*	3000	110	37	115	80~130	15	.28
OA109AP-11-2*	2300	71	30	115	80~130	11	.24
OA109AP-11-3*	1600	51	25	115	80~130	8	.15
OA109AP-22-1*	3000	110	37	230	160~260	15	.28
OA109AP-22-2*	2300	71	30	230	160~260	11	.24
OA109AP-22-3*	1600	51	25	230	160~260	8	.15
OA109AP-11/22-1W**	3000	110	37	115/230	80~260	15	.28
OA109AP-11/22-2W**	2300	71	30	115/230	80~260	11	.24
OA109AP-11/22-3W**	1600	51	25	115/230	80~260	8	.15

\* Indicate "TB" (Terminal Ball Bearing), "WB" (12" Wire Leads, Ball Bearing), "TS" (Terminal, Sleeve Bearing), "WS" (12" Wire Leads, Sleeve Bearing)  
 \*\* Indicate "B" (Ball Bearing) or "S" (Sleeve Bearing)

10557 Metric Drive  
Dallas, Texas 75243



OrionFans.com  
Information and data is subject to change without prior notification.