
MULTI-FUNCTION MODULE FILTERS



Primary Power Components Division

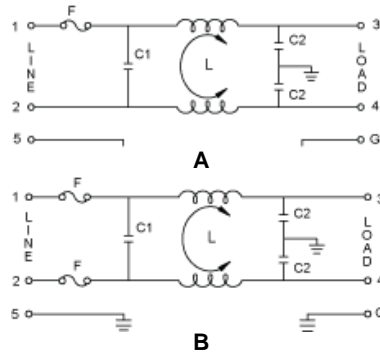
[EMI Filter Cross Reference](#)

[EMI Filter Inquiry Form](#)

**RoHS
Compliant**

860 Series Fused General Purpose Filters

A compact filter with an IEC connector and single fuse holder (5 x 20) providing common and differential mode EMI suppression

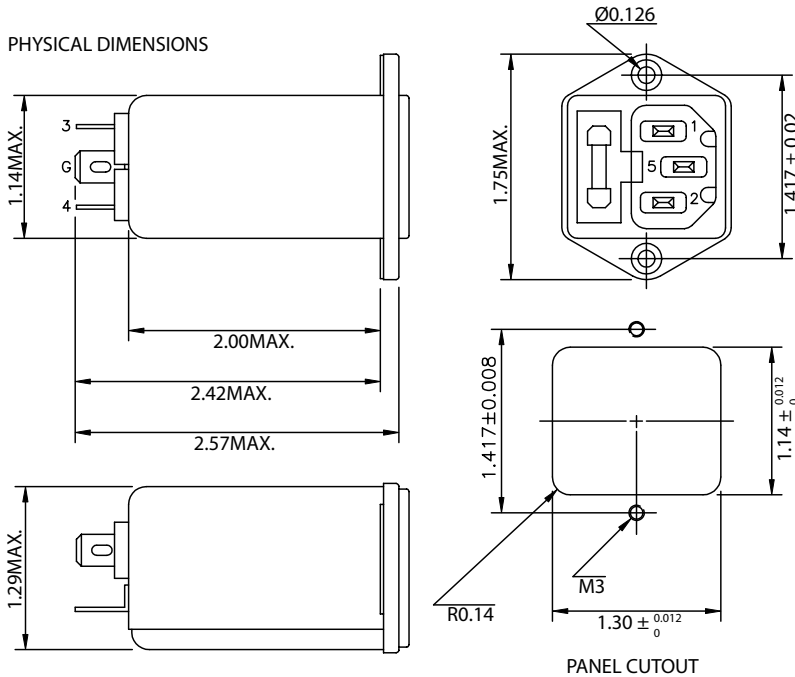


Part Number		Electrical Schematic	Similar to Corcom	Amp Rating	Size L x W x H
860-02/001		A	1EGG1-1	2	2.57 x 1.14 x 1.29
860-02/006		B	-	2	2.24 x 1.12 x 1.28
860-04/002		A	3EGG1-1	4	2.57 x 1.14 x 1.29
860-04/014		B	3EGG1-2	4	2.24 x 1.12 x 1.28
860-06/005		A	6EGG1-1	6	2.57 x 1.14 x 1.29
860-06/016		B	6EGG1-2	6	2.24 x 1.12 x 1.28

THESE DRAWINGS ARE THE PROPERTY OF QUALTEK ELECTRONICS AND NOT TO BE REPRODUCED FOR OR COMMUNICATED TO A THIRD PARTY WITHOUT THE EXPRESS WRITTEN PERMISSION OF AN OFFICER OF QUALTEK ELECTRONICS.

REVISION		
REV.	DESCRIPTION	APPROVED
B	RoHS Compliance	DP

1. PHYSICAL DIMENSIONS



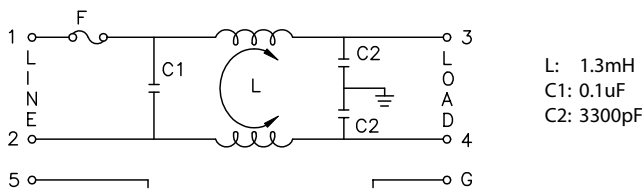
ELECTRICAL CHARACTERISTICS:

- 1-1. VOLTAGE RATING.....115/250VAC
- 1-2. CURRENT RATING
 A. @ 115 VAC.....6 A RMS MAX
 B. @ 250 VAC.....6 A RMS MAX
- 1-3. OPERATING FREQUENCY.....50/60Hz
- 1-4. LEAKAGE CURRENT: EACH LINE TO GROUND
 A. @ 115 VAC 60Hz.....0.25 mA MAX
 B. @ 250 VAC 50Hz.....0.45 mA MAX
- 1-5. HIPOT RATING (FOR ONE MINUTE)
 A. LINE TO GROUND.....2250 VDC
 B. LINE TO LINE.....1450 VDC
- 1-6. MINIMUM INSERTION LOSS IN dB: (AT 50 OHM SYSTEM)

FREQ. MHz	.01	.05	.10	.15	.50	1.0	5.0	10	30
COM. MODE dB	/	/	15	20	30	35	50	55	45
DIF. MODE dB	/	/	4	6	15	20	40	45	45

- 1-7. OPERATING TEMPERATURE.....-25° TO +85° C
- 1-8. SAFETY:
- 1-9. RoHS COMPLIANT

2. ELECTRICAL SCHEMATIC



CONTROLLED

Dim range (mm)		Tolerance +/- (mm)		Qualtek Electronics Corp. PPC DIVISION	
0-1	0.15	1-6	0.20	Part Number: 860-06/005	
6-18	0.30	Description: EMI FILTER			
18-50	0.50	UNIT: in			
50-120	0.70	Drawn / Date			
120-250	0.90	B.ZHANG			
250-500	1.20				