

Mini Incandescents

T-1 3/4 Bulb

Line No.	Part Number	Category	Base Type	Design Volts	Design Amps	MSCD	Filament Type	Rated Life	Fig No.	Foot Notes
1	86		W2.1x4.9d	6.3	0.2	0.4	C-2F	20,000	44	
2	386		Midget Grooved	14	0.08	0.3	C-2F	15,000	46	

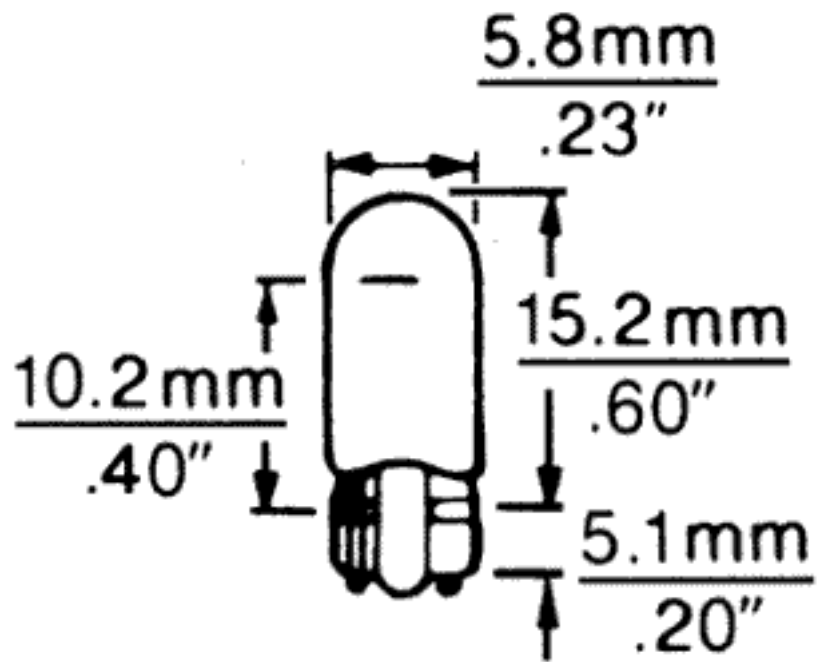


Fig. 44