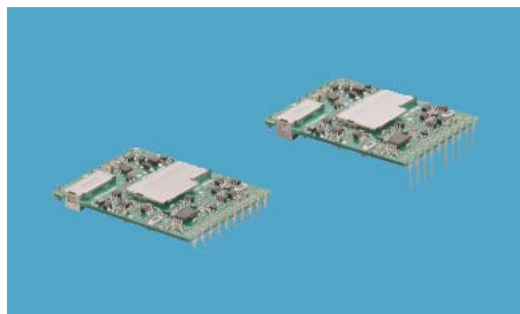


SFS15



Features

- High reliability : not built-in aluminum and tantalum electrolytic capacitor
- Built-in Remote ON/OFF
- Parallel operation
- SMD mounting type and through-hole mounting type
- High efficiency (synchronous rectifier circuit)
- Alarm
- Built-in Over Current Protection
- Built-in Over Voltage Protection
- Built-in Low Voltage Protection
- RoHS Compliant

Safety Agency Approvals

UL60950-1, C-UL, EN60950-1

CE Markings

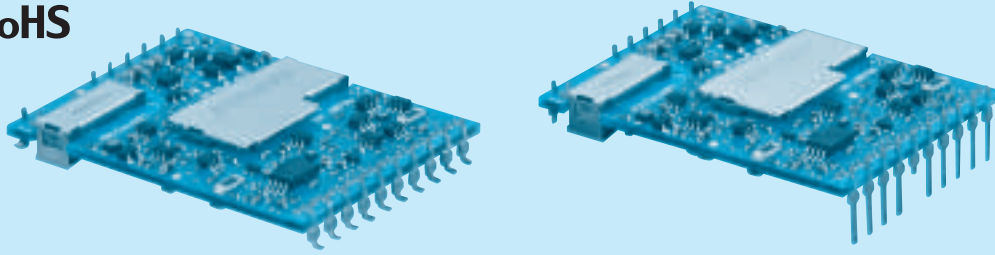
Low Voltage Directive

5 year warranty(refer to Instruction Manual)

Model	Input Voltage [V]	Output Wattage [W]	DC Output [V/A]
SFS15241R5	DC 18 - 36	7.8	1.5V 5.2A
SFS15241R8	DC 18 - 36	8.1	1.8V 4.5A
SFS15242R5	DC 18 - 36	11.25	2.5V 4.5A
SFS15243R3	DC 18 - 36	14.85	3.3V 4.5A
SFS152405	DC 18 - 36	15	5V 3A
SFS152412	DC 18 - 36	15	12V 1.25A
SFS152415	DC 18 - 36	15	15V 1A
SFS152481R2	DC 36 - 76	6.24	1.2V 5.2A
SFS152481R5	DC 36 - 76	7.8	1.5V 5.2A
SFS152481R8	DC 36 - 76	8.1	1.8V 4.5A
SFS1524802	DC 36 - 76	9	2V 4.5A
SFS152482R5	DC 36 - 76	11.25	2.5V 4.5A
SFS152483R3	DC 36 - 76	14.85	3.3V 4.5A
SFS1524805	DC 36 - 76	15	5V 3A
SFS1524812	DC 36 - 76	15	12V 1.25A
SFS1524815	DC 36 - 76	15	15V 1A



RoHS



- ① Series name
- ② Single output
- ③ Output wattage
- ④ Input voltage
24:DC18 - 36V
48:DC36 - 76V
- ⑤ Output voltage
- ⑥ Mounting type
(Soldering process)
B : SMD(Pb-free solder)
C : DIP(Pb-free solder)

MODEL	SFS15241R5	SFS15241R8	SFS15242R5	SFS15243R3	SFS152405	SFS152412	SFS152415
MAX OUTPUT WATTAGE[W]	7.8	8.1	11.25	14.85	15.0	15.0	15.0
DC OUTPUT	1.5V 5.2A	1.8V 4.5A	2.5V 4.5A	3.3V 4.5A	5V 3A	12V 1.25A	15V 1A

SPECIFICATIONS

	MODEL	SFS15241R5	SFS15241R8	SFS15242R5	SFS15243R3	SFS152405	SFS152412	SFS152415	
INPUT	VOLTAGE[V]	DC18 - 36							
	CURRENT[A]	*1 0.39typ	0.4typ	0.54typ	0.7typ	0.69typ	0.7typ	0.7typ	
	EFFICIENCY[%]	*1 83typ	85typ	87typ	89typ	90typ	89typ	89typ	
	START-UP VOLTAGE[V]	DC16 - 18							
	HYSTERESIS VOLTAGE[V]	DC1 min							
OUTPUT	VOLTAGE[V]	1.5	1.8	2.5	3.3	5	12	15	
	CURRENT[A]	5.2	4.5	4.5	4.5	3	1.25	1	
	VOLTAGE ACCURACY[%]	+5, -3							
	RIPPLE[mVp-p]	25max					120max		
	RIPPLE NOISE[mVp-p]	50max					150max		
	START-UP TIME[ms]	20 - 200max (DCIN 24V, Io=100%)							
PROTECTION CIRCUIT AND OTHERS	OUTPUT VOLTAGE SETTING *1	±1% of rated output voltage							
	OVERCURRENT PROTECTION	Works over 103% of rating							
	OVERVOLTAGE PROTECTION	Works at 120 - 140% of rating							
	LOWVOLTAGE PROTECTION	Works at 90% max of rating							
	REMOTE ON/OFF	Provided(RC open : ON, short between RC and +Vin : OFF)							

SFS

MODEL	SFS15481R2	SFS15481R5	SFS15481R8	SFS154802	SFS15482R5	SFS15483R3	SFS154805	SFS154812	SFS154815
MAX OUTPUT WATTAGE[W]	6.24	7.8	8.1	9.0	11.25	14.85	15.0	15.0	15.0
DC OUTPUT	1.2V 5.2A	1.5V 5.2A	1.8V 4.5A	2V 4.5A	2.5V 4.5A	3.3V 4.5A	5V 3A	12V 1.25A	15V 1A

SPECIFICATIONS

	MODEL	SFS15481R2	SFS15481R5	SFS15481R8	SFS154802	SFS15482R5	SFS15483R3	SFS154805	SFS154812	SFS154815	
INPUT	VOLTAGE[V]	DC36 - 76									
	CURRENT[A]	*1 0.16typ	0.2typ	0.2typ	0.22typ	0.27typ	0.35typ	0.35typ	0.35typ	0.35typ	
	EFFICIENCY[%]	*1 82typ	83typ	85typ	86typ	87typ	89typ	90typ	89typ	89typ	
	START-UP VOLTAGE[V]	DC32 - 36									
	HYSTERESIS VOLTAGE[V]	DC2 min									
OUTPUT	VOLTAGE[V]	1.2	1.5	1.8	2	2.5	3.3	5	12	15	
	CURRENT[A]	5.2	5.2	4.5	4.5	4.5	4.5	3	1.25	1	
	VOLTAGE ACCURACY[%]	+5, -3									
	RIPPLE[mVp-p]	25max							120max		
	RIPPLE NOISE[mVp-p]	50max							150max		
	START-UP TIME[ms]	20 - 200max (DCIN 48V, Io=100%)									
PROTECTION CIRCUIT AND OTHERS	OUTPUT VOLTAGE SETTING *1	±1% of rated output voltage									
	OVERCURRENT PROTECTION	Works over 103% of rating									
	OVERVOLTAGE PROTECTION	Works at 120 - 140% of rating									
	LOWVOLTAGE PROTECTION	Works at 90% max of rating									
	REMOTE ON/OFF	Provided(RC open : ON, short between RC and +Vin : OFF)									

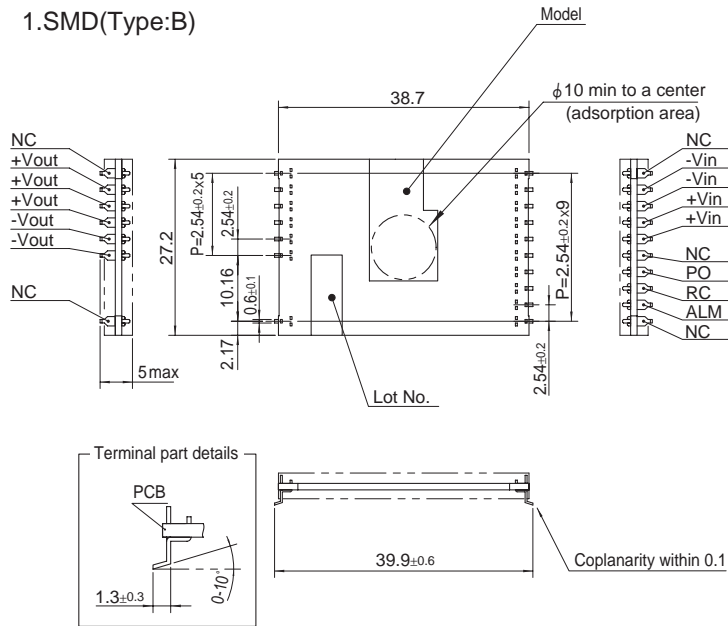
GENERAL SPECIFICATIONS

ISOLATION	INPUT-OUTPUT	DC1,500V 1minute, DC500V 50MΩ min (20±15°C)
ENVIRONMENT	OPERATING TEMP.,HUMID.AND ALTITUDE	-40 to +85°C, 20 - 95%RH (Non condensing), 3,000m (10,000feet) max
	STORAGE TEMP.,HUMID.AND ALTITUDE	-40 to +100°C, 20 - 95%RH (Non condensing), 9,000m (30,000feet) max
	VIBRATION	10 - 55Hz, 49.0m/s ² (5G), 3minutes period, 60minutes each along X, Y and Z axis
	IMPACT	196.1m/s ² (20G), 11ms, once each X, Y and Z axis
SAFETY	AGENCY APPROVALS	UL60950-1, C-UL (CSA60950-1), EN60950-1
OTHERS	CASE SIZE/WEIGHT	38.7×5.0×27.2mm (W×H×D) /12g max
	COOLING METHOD	Convection

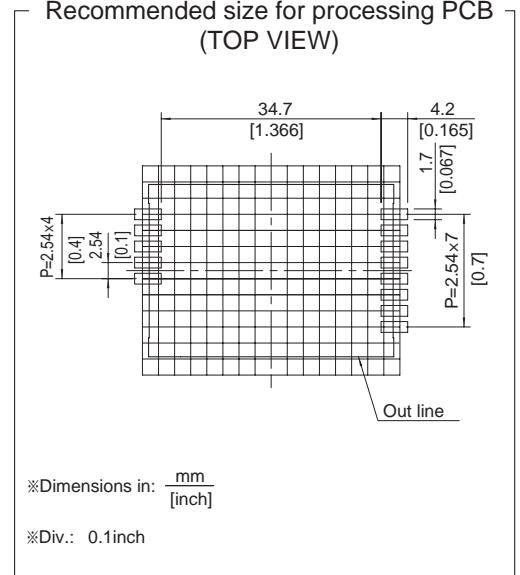
*1 At rated input(DC24V, DC48V), rated load and 25°C

External view

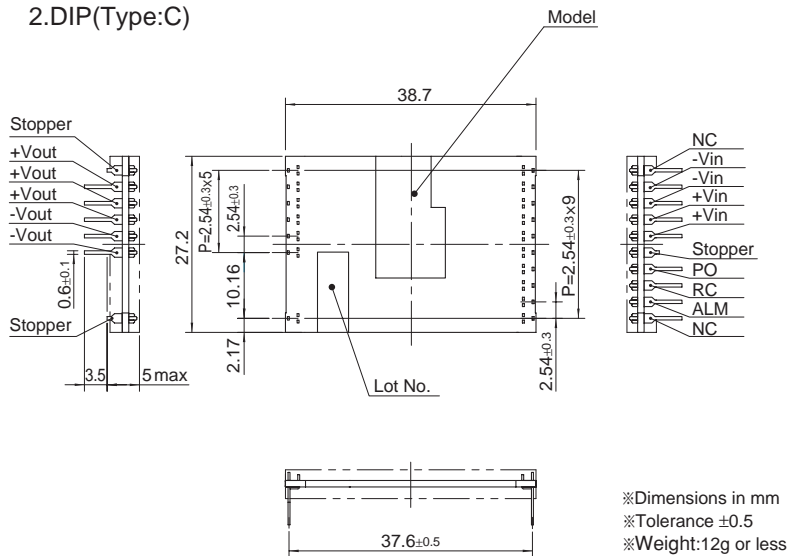
1.SMD(Type:B)



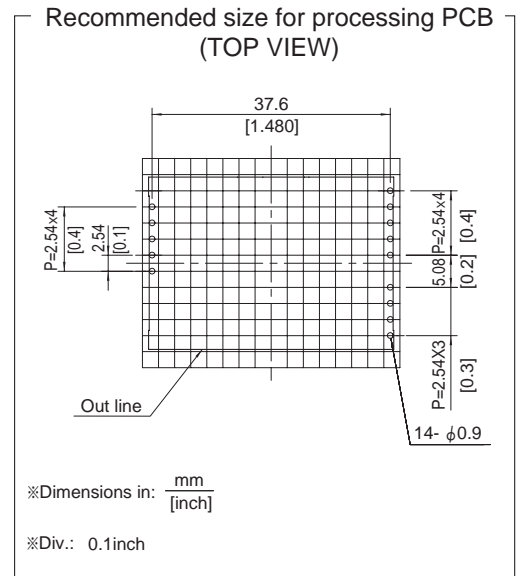
Recommended size for processing PCB (TOP VIEW)



2.DIP(Type:C)



Recommended size for processing PCB (TOP VIEW)



SFS