

---

**MULTI-FUNCTION MODULE FILTERS**



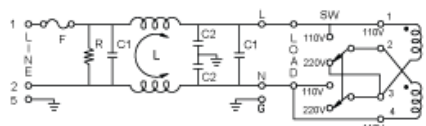
Primary Power Components Division

**[EMI Filter Cross Reference](#)**

**[EMI Filter Inquiry Form](#)**

**RoHS  
Compliant**

---

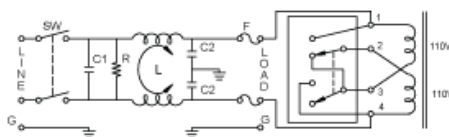


**C**

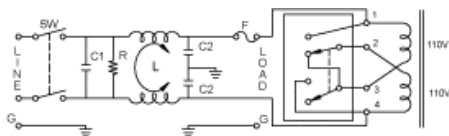
Part Number		Electrical Schematic	Amp Rating 115-250	Size L x W x H	IEC Conn	Fuse Holder	Power Switch	Voltage Selector
862-06/001		A	6	2.65 x 2.17 x 1.15	Yes	Yes	--	No
862-06/002		B	6	2.65 x 2.17 x 1.15	Yes	Yes	S P	No
862-06/003		B	6-4	2.65 x 2.17 x 1.15	Yes	Yes	D P	No
862-06/007		C	6	2.65 x 2.17 x 1.15	Yes	Yes	--	Yes

### 864 Series Multi-Function Module Filters

A multi-function power entry module filter that incorporates an IEC connector, double pole power switch, voltage selector switch, and optional single or double fuse holder (5 x 20 ) or (6.3 x 32) offering space savings.



**A**



**B**

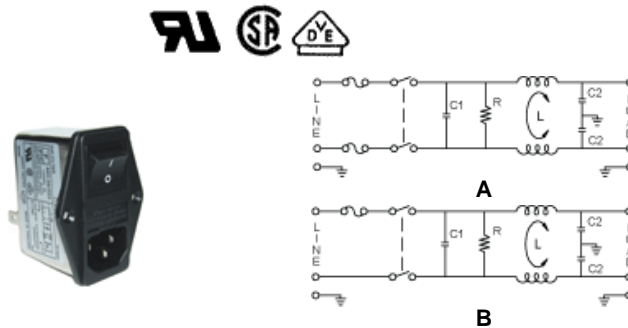
Part Number		Electrical Schematic	Amp Rating	Size L x W x H	IEC Conn	Fuse Holder	Power Switch	Voltage Selector
864-03/001		A	3	3.61 x 1.99 x 2.37	Yes	Double*	D P	Yes
864-03/003		B	3	3.61 x 1.99 x 2.37	Yes	Single*	D P	Yes
864-06/005		A	6	3.61 x 1.99 x 2.37	Yes	Double*	D P	Yes
864-06/007		B	6	3.61 x 1.99 x 2.37	Yes	Single*	D P	Yes
864-10/009		A	10-6**	3.61 x 1.99 x 2.37	Yes	Double*	D P	Yes
864-10/011		B	10-6**	3.61 x 1.99 x 2.37	Yes	Single*	D P	Yes

\* UL Rated 10A 125 and 250. VAC, CSA, VDE Rated 6A 250 VAC

\*\* UL 10A 125/250 VAC, CSA 6A 125/250 VAC, VDE 6A 250VAC

### 880 Series Multi-Function Module Filters

A multi-function power entry module filter that incorporates an IEC connector, double pole power switch, voltage selector switch, and optional single or double fuse holder (5 x 20 ) offering space savings.

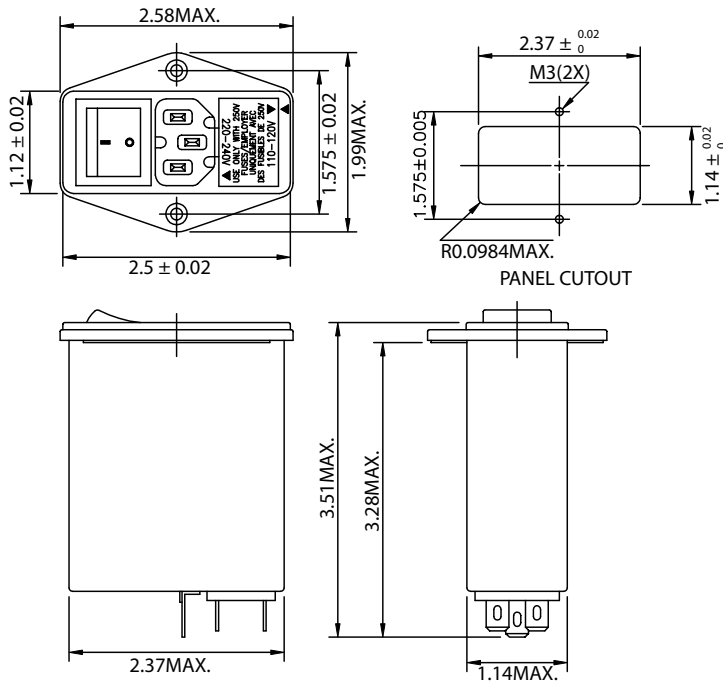


Part Number		Electrical Schematic	Amp Rating	Size L x W x H	IEC Conn	Fuse Holder	Power Switch	Voltage Selector
880-01/001		A	1	2.46 x 1.97 x 2.34	Yes	Double	D P*	No
880-01/004		B	1	2.46 x 1.97 x 2.34	Yes	Single	D P*	No

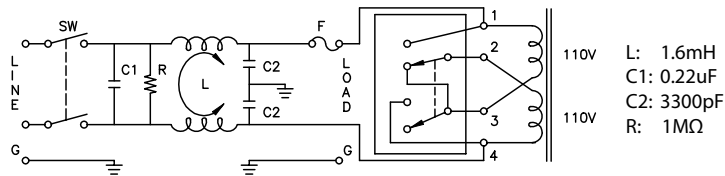
THESE DRAWINGS ARE THE PROPERTY OF QUALTEK ELECTRONICS AND NOT TO BE REPRODUCED FOR OR COMMUNICATED TO A THIRD PARTY WITHOUT THE EXPRESS WRITTEN PERMISSION OF AN OFFICER OF QUALTEK ELECTRONICS.

REVISION		
REV.	DESCRIPTION	APPROVED
B	RoHS Compliancy	DP

1. PHYSICAL DIMENSIONS



2. ELECTRICAL SCHEMATIC



ELECTRICAL CHARACTERISTICS:

- 1-1. VOLTAGE RATING.....115/250VAC
  - 1-2. CURRENT RATING  
 A. @ 115/250 VAC.....10 A RMS MAX  
 B. @ 250 VAC (VDE).....6(4) A RMS MAX
  - 1-3. OPERATING FREQUENCY.....50/60Hz
  - 1-4. LEAKAGE CURRENT: EACH LINE TO GROUND  
 A. @ 115 VAC 60Hz.....0.25 mA MAX  
 B. @ 250 VAC 50Hz.....0.45 mA MAX
  - 1-5. HIPOT RATING (FOR ONE MINUTE)  
 A. LINE TO GROUND.....2250 VDC  
 B. LINE TO LINE.....1450 VDC
  - 1-6. MINIMUM INSERTION LOSS IN dB: (AT 50 OHM SYSTEM)
- | FREQ. MHz    | .01 | .05 | .10 | .15 | .50 | 1.0 | 5.0 | 10 | 30 |
|--------------|-----|-----|-----|-----|-----|-----|-----|----|----|
| COM. MODE dB | /   | 10  | 15  | 20  | 20  | 30  | 40  | 40 | 30 |
| DIF. MODE dB | /   | 2   | 5   | 8   | 15  | 30  | 40  | 45 | 35 |
- 1-7. OPERATING TEMPERATURE.....-25° TO +85° C
  - 1-8. SAFETY:
  - 1-9. RoHS COMPLIANT

**CONTROLLED**

Dim range (mm)	Tolerance +/- (mm)	Qualtek Electronics Corp. PPC DIVISION	
		Part Number: 864-10/011	
0-1	0.15	Description: EMI FILTER	
1-6	0.20	UNIT: in	
6-18	0.30		
18-50	0.50		
50-120	0.70	Drawn / Date	
120-250	0.90	B.ZHANG	
250-500	1.20		