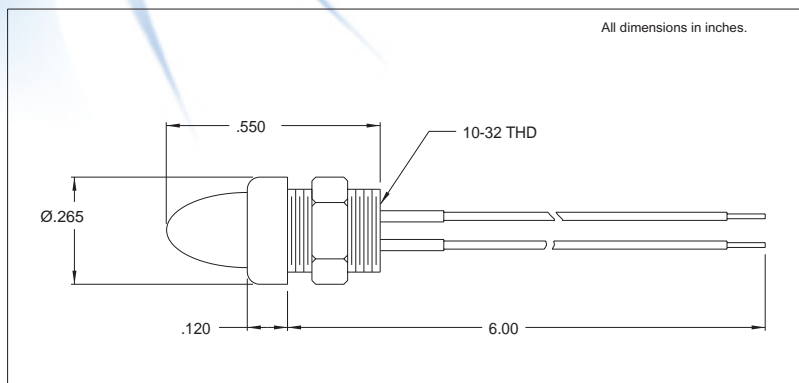


**Astrolite LED Indicator Lights**

**DESCRIPTION AND FEATURES**



The Chicago Miniature Lamp Astrolite indicator lights provide versatile solid state indication in an aesthetically pleasing economical, compact, panel mountable package. Luminous intensities as high as 300 mcd are available. As special order, these indicator lights can be provided with a voltage dropping resistor built into the lead for operation at higher voltages.

**SPECIFICATIONS**

Mounting Hole:	Ø.193 "D" hole
Mounting Centers:	.334
Maximum Panel Thickness:	.188
Bezel/Shank Material:	Chrome Plated Brass
Hex Nut:	Nickel Plated Brass
Wire Leads:	26 AWG Stranded, 105°C PVC Insulation, black to Anode, white to Cathode

**ELECTRO-OPTICAL CHARACTERISTICS**

Part Number	Emitted Color	Lens Color	Lens Type	Luminous Intensity		Forward Voltage		Viewing Angle (degrees)	Peak Wavelength (nm)	V <sub>R</sub>	Max. I <sub>F</sub>
				Min. (mcd)	Typ. (mcd)	Typ.	Max.				
6039-004-304R	H.E. Red	Red	Light Diff.	0.4	1.5	1.6	2.0	50	630	5.0	35 mA
6039-004-304G	H.E. Grn.	Green	Light Diff.	2.0	12.0	2.2	3.0	50	565	5.0	35 mA
6039-004-304Y	Yellow	Yellow	Light Diff.	1.5	8.0	2.1	3.0	50	585	5.0	35 mA
6039-004-304S	H.E. Red	Red	Diffused	12.5	30.0	2.0	2.5	60	625	5.0	30 mA
6039-004-304H	H.E.Gr.	Green	Diffused	5.0	15.0	2.2	2.5	60	565	5.0	25 mA
6039-004-304Z	Yellow	Yellow	Diffused	5.0	15.0	2.1	2.5	60	590	5.0	30 mA
6039-004-304UR	Ultra Red	Red	Diffused	100.0	300.0	1.85	2.5	60	660	5.0	30 mA