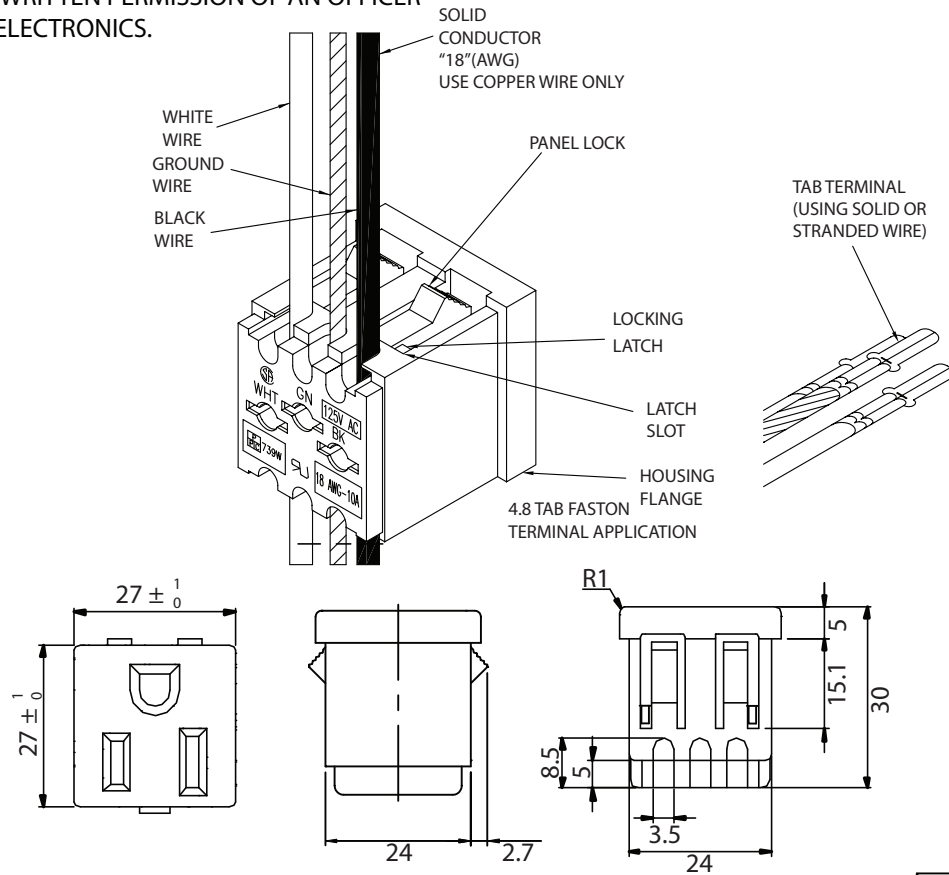
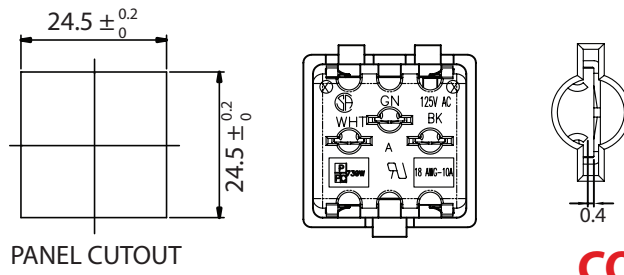
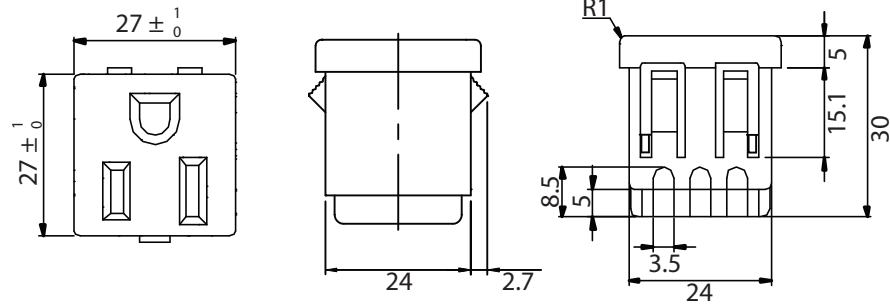
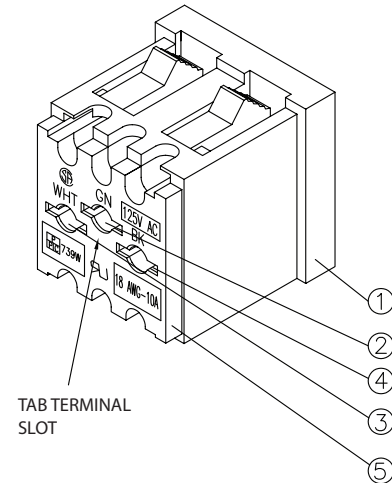


THESE DRAWINGS ARE THE PROPERTY OF QUALTEK ELECTRONICS AND NOT TO BE REPRODUCED FOR OR COMMUNICATED TO A THIRD PARTY WITHOUT THE EXPRESS WRITTEN PERMISSION OF AN OFFICER OF QUALTEK ELECTRONICS.



REVISION			
REV.	DESCRIPTION	DATE	APPROVED
B	RoHS Compliancy	06-01-06	DP
C	Specifications Update	09-14-07	DP



CONTROLLED

NOTES:
 USE COPPER WIRE ONLY
 RATING: 10A 125V AC
 APPROVALS: UL,cUL, CSA
 PANEL THICKNESS: 0.8~1.8mm
 RoHS COMPLIANT

5	Cover back of the body, NYLON Black Color	1
4	Contact PIN Bronze Strip t=0.4mm Cu-Plated	1
3	Contact PIN Bronze Strip t=0.4mm Ni-Plated	1
2	Contact PIN Bronze Strip t=0.4mm Cu-Plated	1
1	Body Insulator NYLON Black Color	1

Dim range (mm)	Tolerance +/- (mm)	Qualtek Electronics Corp. PPC DIVISION		
		Part Number: 739W-X2/04	RoHS Compliant	
0-1	0.15	Description: AC RECEPTACLE		
1-6	0.20		UNIT: mm	REV. C
6-18	0.30			
18-50	0.50			
50-120	0.70	Drawn / Date	Checked / Date	Approved / Date
120-250	0.90	B.ZHANG 01-22-02	01-22-02	JJH / 01-22-02
250-500	1.20			