

Basic Rack PDU

Rack PDU, Basic, 1U, 20A, 120V, (10)5-20; 5-20P



APC Basic Rack PDU , Input: 120V , Input Connections: NEMA 5-20P , Cord Length: 12 feet (3.66 meters) , Output: 120V , Output Connections: NEMA 5-20R

Includes: Installation guide, Rack Mounting brackets

Standard Lead Time: Usually in Stock

AP9563 Features

19 inch Rack-Mountable	Supplies redundant AC power to connected equipment. Two AC lines power the unit and if the primary AC power fails, the unit will automatically switch to the alternate power source.
Vertical mounting capability	
Horizontal mounting capability	

Basic Rack PDU Features & Benefits

Agility	
Rack-Mountable	Includes horizontal, vertical, and toolless-mount varieties. Puts power where it is needed most - in the racks near the equipment.
Single input power source	Supply power from one branch whip to multiple pieces of equipment, conveniently powering rack-mount equipment. Saves time and money during installation by using one branch whip and standard connections.
Wide range of input and output connections	Product family includes a variety of input and output connections to distribute 120V, 208V, or 230V power to multiple outlets. Having a variety of inputs and outputs allow users to adapt to varying power requirements. APC offers units that bring up to 14.4kW using a single branch whip.
Total Cost of Ownership	
Low Cost Power Distribution	Provides a number of outlets to bring power to rack equipment at an affordable price.

Product Distribution

Bermuda, Brazil, Canada, Colombia, Costa Rica, Dominican Republic, Ecuador, El Salvador, Guatemala, Honduras, Jamaica, Mexico, Netherlands Antilles, Nicaragua, Panama, Puerto Rico, Taiwan, Trinidad And Tobago, United States, Venezuela

Output

Nominal Output Voltage	120V
Maximum Total Current Draw per Phase	20A
Output Connections	(10) NEMA 5-20R



Input

Nominal Input Voltage	120V
Input Frequency	50/60 Hz
Regulatory Derated Input Current (North America)	16A
Input Connections	NEMA 5-20P
Cord Length	3.66 meters
Number of Power Cords	1
Maximum Input Current per phase	20A
Load Capacity	2400 VA



Physical

Net Weight	2.50 KG
Maximum Height	44.00 mm
Maximum Width	447.00 mm
Maximum Depth	57.00 mm
Shipping Weight	3.64 KG
Shipping Height	70.00 mm
Shipping Width	464.00 mm
Shipping Depth	229.00 mm
Color	Black

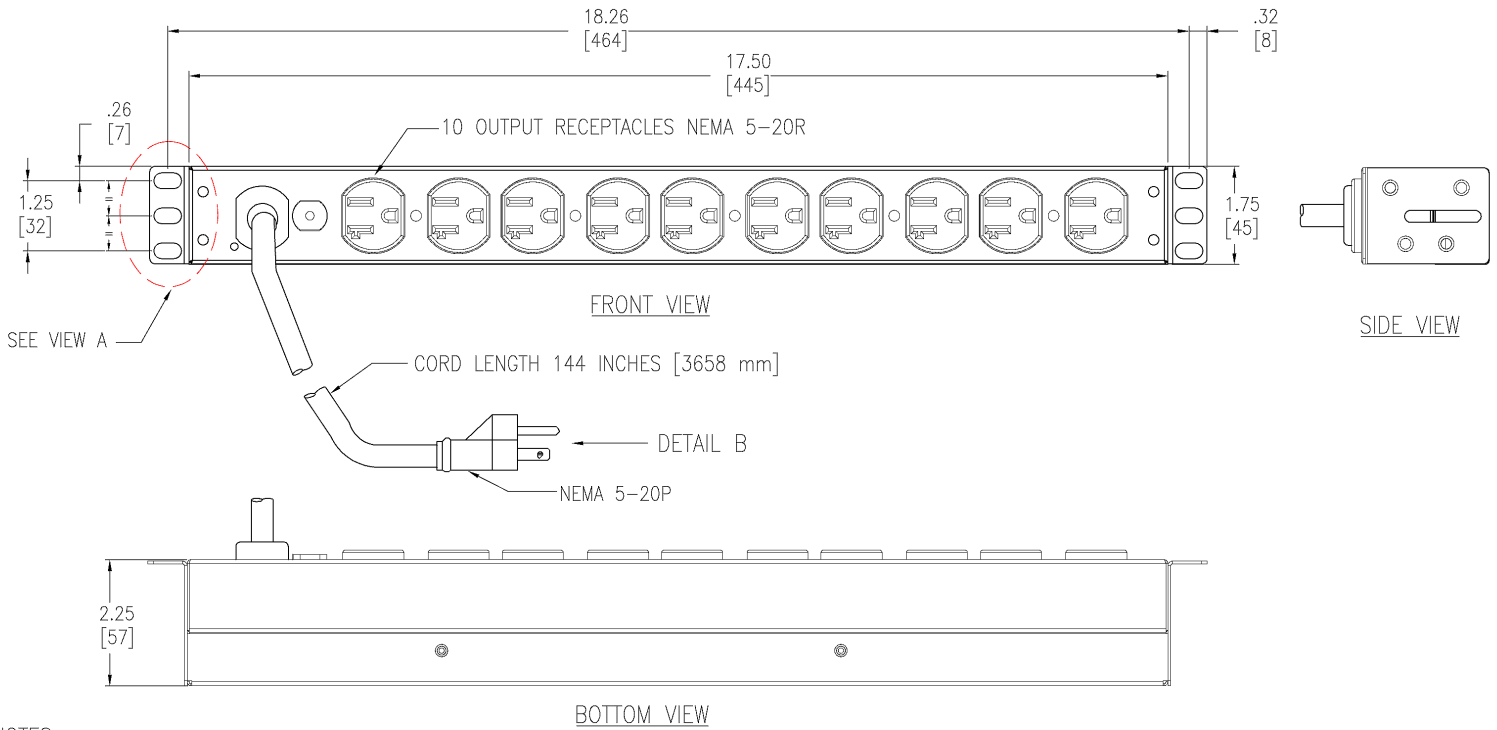
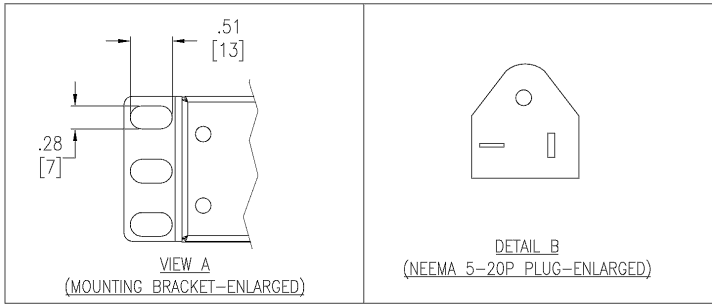
Environmental

Operating Environment	-5 - 45 °C
Operating Relative Humidity	0%
Operating Elevation	0-3000 meters
Storage Temperature	-25 - 65 °C

Storage Relative Humidity	0%
Storage Elevation	0-15000 meters

Conformance

Regulatory Approvals	cUL Recognized,CSA,UL 1363,UL Recognized
Standard Warranty	2 years repair or replace
ROHS/WEEE Compliance	RoHS



NOTES:

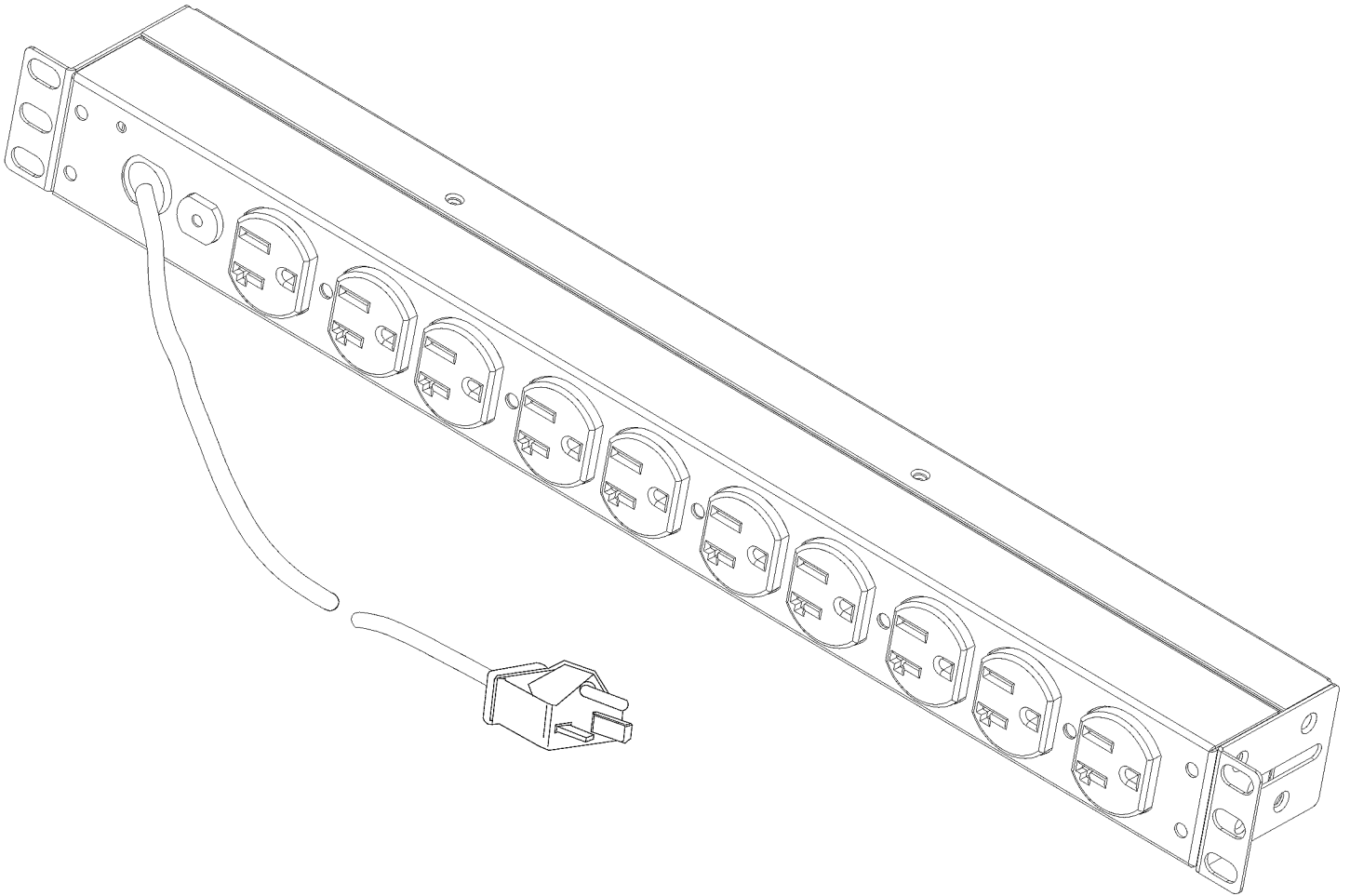
1. ALL DIMENSIONS ARE IN INCHES [MILLIMETERS].
2. NET WEIGHT IS 5.50 LBS [2.50 kg]
3. INSTALLATION MUST COMPLY WITH ALL APPLICABLE NATIONAL AND LOCAL CODES.

THIS DRAWING AND SPECIFICATIONS HEREIN ARE THE PROPERTY OF AMERICAN POWER CONVERSION AND SHALL NOT BE COPIED, REPRODUCED OR USED IN WHOLE OR IN PART, AS THE BASIS FOR THE MANUFACTURE OR SALE OF ITEMS WITHOUT WRITTEN PERMISSION FROM APC. THIS DRAWING IS BASED UPON LATEST AVAILABLE INFORMATION AND IS SUBJECT TO CHANGE WITHOUT NOTICE.

TITLE:	RACK PDU, BASIC 1U, 20A, 120V, INPUT: NEMA 5-20P OUTPUT: (10) NEMA 5-20R MAIN MECHANICAL	DWG NO:	AP9563-MM1	REV.	1
DRAWN BY:	JAYAPRAKASH	CHECKED BY:	T.HORSTMANN		
PROJECT:	SUBMITTAL DRAWINGS	SHEET:	1 OF 2	ENGINEER:	J.RING/ E.SILVA



ISOMETRIC VIEW



THIS DRAWING AND SPECIFICATIONS HEREIN ARE THE PROPERTY OF AMERICAN POWER CONVERSION AND SHALL NOT BE COPIED, REPRODUCED OR USED IN WHOLE OR IN PART, AS THE BASIS FOR THE MANUFACTURE OR SALE OF ITEMS WITHOUT WRITTEN PERMISSION FROM APC. THIS DRAWING IS BASED UPON LATEST AVAILABLE INFORMATION AND IS SUBJECT TO CHANGE WITHOUT NOTICE.

TITLE: RACK PDU, BASIC
1U, 20A, 120V, INPUT: NEMA 5-20P
OUTPUT: (10) NEMA 5-20R
ISOMETRIC VIEW
PROJECT: SUBMITTAL DRAWINGS SHEET 2 OF 2

DWG NO: AP9563-MM2
REV. 1
DRAWN BY: JAYAPRAKASH
CHECKED BY: T.HORSTMANN
ENGINEER: J.RING/ E.SILVA

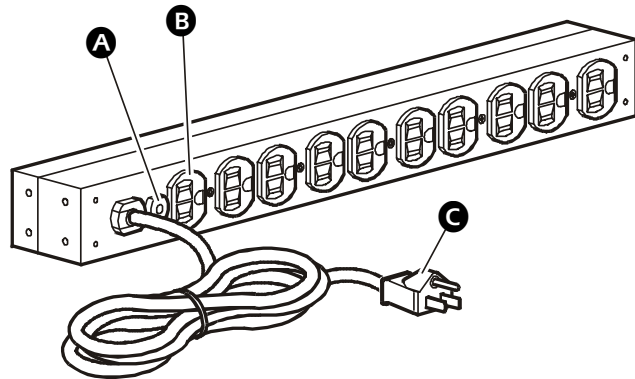




Power Distribution Units AP9562, AP9563, and AP9564

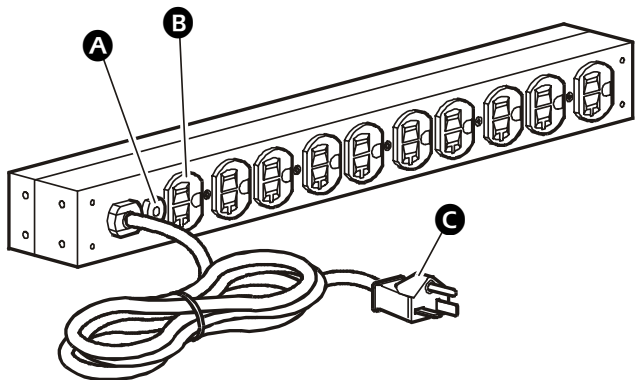
AP9562, AP9563, and AP9564 are 15- and 20-amp Rack Power Distribution Units (PDUs) that provide 120-volt power to rack-mounted equipment.

AP9562



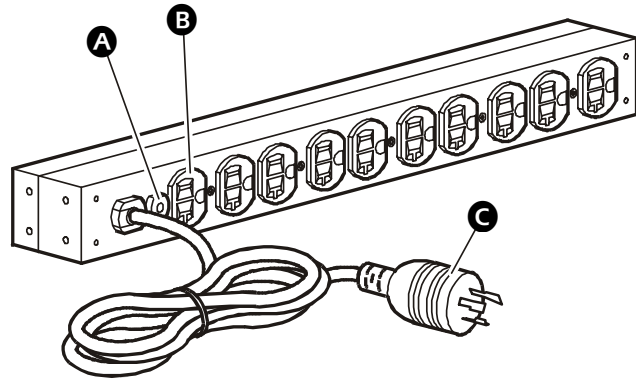
- A** 15-amp circuit breaker (1)
- B** NEMA 5-15 outlets (10)
- C** 12-foot NEMA 5-15 power cord

AP9563



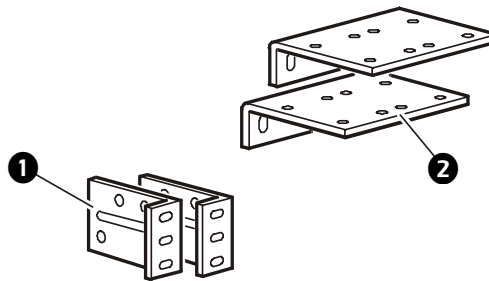
- A** 20-amp circuit breaker (1)
- B** NEMA 5-20 outlets (10)
- C** 12-foot NEMA 5-20 power cord

AP9564



- A** 20-amp circuit breaker (1)
- B** NEMA 5-20 outlets (10)
- C** 12-foot NEMA L5-20 power cord

Mounting brackets



- 1** Brackets for horizontal mounting
- 2** Brackets for vertical mounting



Note

Each PDU is packaged with two types of mounting brackets (for horizontal and vertical mounting). Choose your mounting orientation and attach the appropriate brackets to the PDU for installation.

Specifications

	AP9562	AP9563	AP9564
Electrical			
Input voltage range	100–120 V		
Maximum current draw	15 A	20 A	20 A
Physical			
Size (h×w×d)	1.75×17.6×2.25 in (4.45×44.7×5.72 cm)		
Shipping size (h×w×d)	2.75×18.25×9.0 in (6.99×46.35×22.86 cm)		
Weight	5.5 lb (2.5 kg)		
Shipping weight	8.0 lb (3.6 kg)		
Environmental			
Elevation (above MSL)	Operating: 0–10,000 ft (0–3000 m) Storage: 0–50,000 ft (0–15 000 m)		
Relative humidity	Operating: 0 to 95%, non-condensing Storage: 0 to 95%, non-condensing		
Temperature	Operating: 23 to 113° F (–5 to 45° C) Storage: –13 to 149° F (–25 to 65° C)		
Compliance			
Safety	UL/cUL Recognized; UL 1363		