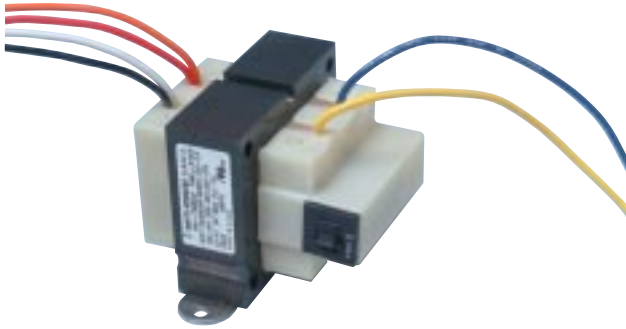


CLASS 2 FOOT MOUNT TRANSFORMERS – 50, 60 & 75VA



APPLICATIONS:

- Commercial Dryers
- Deep Fryers
- Greenhouse Controls
- HVAC – Heating, Ventilation, Air Conditioning Systems
- Security Systems
- Video Games
- Automatic Doors
- Solar Heating Controls

AVAILABLE INPUT VOLTAGES:

- 120/208/240V


TRANSFORMER TERMINATIONS:

- 11" Color Coded Leads

FEATURES:

- Convenient Mounting Plate
- Protective Plastic Covers
- Integral Circuit Breaker

GENERAL INFORMATION

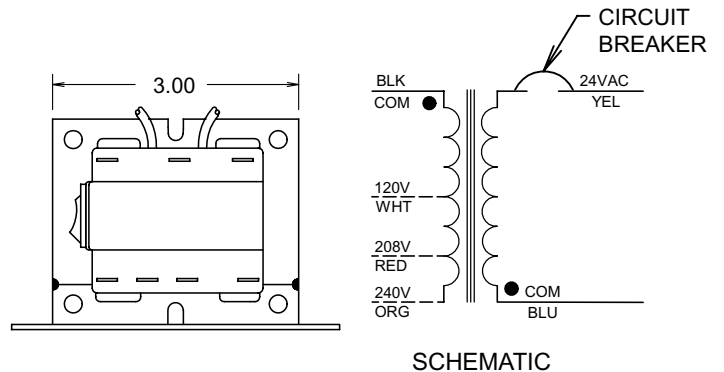
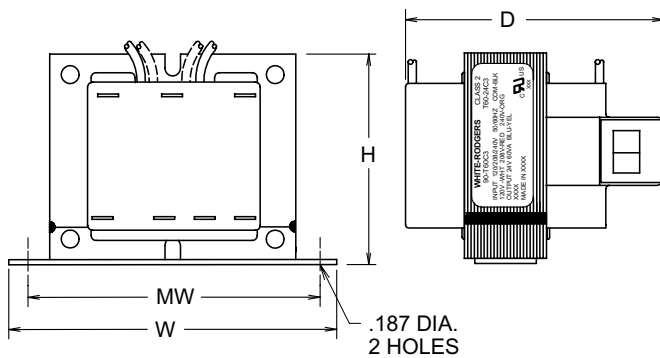
Safety Agency Certification:  U.S. U.L. File No. E33334
Recognized under Category XOKV2/XOKV8

NEC Classification: Class 2

U.L. Insulation Class: Class B (130°C Max)

Output Voltage: 24VAC

OUTLINE DRAWING



W-R PART NUMBER	STANCOR PART NUMBER	INPUT VOLTAGE	FREQ Hz	OUTPUT VOLTAGE	OUTPUT CURRENT	VA	MOUNTING	PRI TERM.	SEC TERM.	DIMENSIONS-INCHES				Wt. (Lbs)
										H	W	D	MW	
90-T50C3	T50-24C3	120/208/240	50/60	24	2.08	50	FOOT	LEADS	LEADS	2.62	4.00	3.25	3.56	2.12
90-T60C3	T60-24C3	120/208/240	50/60	24	2.50	60	FOOT	LEADS	LEADS	2.62	4.00	3.25	3.56	2.19
90-T75C3	T75-24C3	120/208/240	50/60	24	3.12	75	FOOT	LEADS	LEADS	2.62	4.00	3.53	3.56	2.48