

AC Series
Tubaxial
Cooling Fans
Model No. A31T15

3.15" Sq. x 1.50"
(80 mm Sq. x 38 mm)
18-34 CFM
(9-16 L/Sec.)



Features

- Reliable shaded-pole motor construction
- Precision ball bearing system provides:
 - Longer life
 - Higher temperature extremes
 - Lower noise over time
 - Maximum shock and vibration resistance
- Rugged die-cast aluminum housing for maximum heat dissipation

Accessories:

- Finger guards
- Power cords
- Filters
- Screen guards

General Specifications

Frame: Die-cast aluminum painted black for moisture and corrosion resistance

Impeller: Reinforced polybutylene plastic (UL94V-0 rating)

Bearings: Precision, life-lubricated ball bearings

Insulation: Class A integral ground system rated @ 248°F (120°C)

Weight: 10.6 ozs. (300 grams)

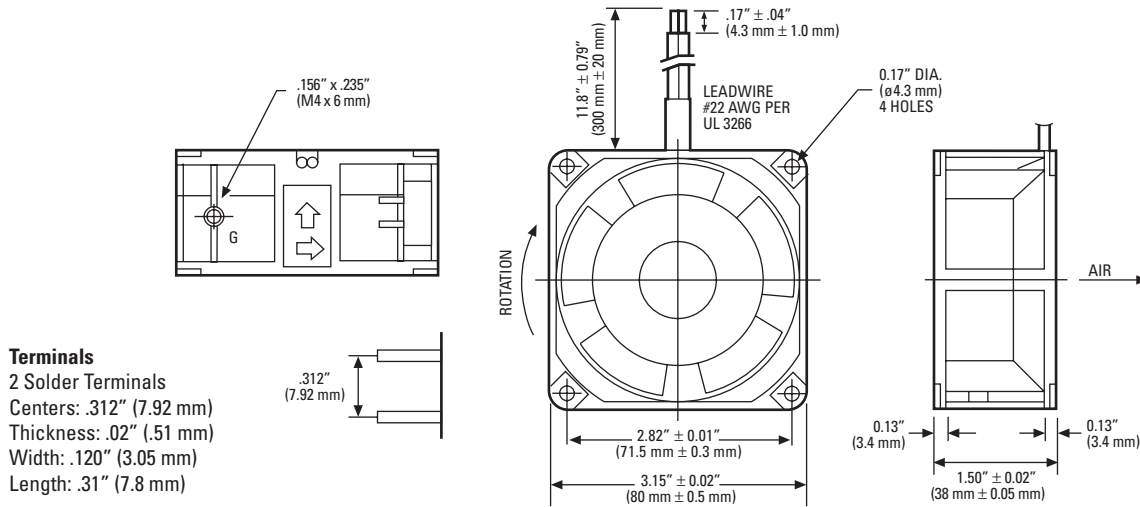
Temperature Range: -40° to 158°F (-40° to 70°C)

Insulation Resistance: 100 megohms minimum @ 500 VDC

Dielectric Strength: 1500 VAC for 3 seconds

Safety Protection: Impedance protected

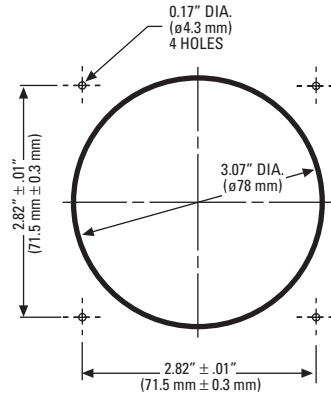
Life Expectancy: 75,000 hours minimum @ 77°F (25°C)



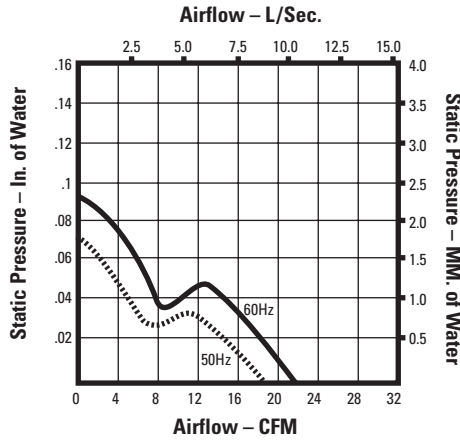
Terminals
2 Solder Terminals
Centers: .312" (7.92 mm)
Thickness: .02" (.51 mm)
Width: .120" (3.05 mm)
Length: .31" (7.8 mm)

Globe Motors Part Number	Nominal Voltage VAC	Frequency Hz	Watts	Line Amps	Locked Rotor Amps	RPM	Acoustic Noise dBA	Airflow (Min.)	
								CFM	Liters per Second
A31-B15A-15T1-000	115	50 / 60	4.2 / 4.0	0.056 / 0.043	0.065 / 0.060	1750 / 2500	23 / 25	18 / 26	8.5 / 12.3
A31-B15A-15T2-000	115	50 / 60	4.5 / 4.2	0.059 / 0.023	0.090 / 0.080	2200 / 2750	27 / 31	21 / 28	9.9 / 13.2
A31-B15A-15T3-000	115	50 / 60	6.9 / 6.7	0.125 / 0.100	0.160 / 0.140	2750 / 3300	33 / 38	28 / 34	13.2 / 16.0
A31-B15A-15W1-000	115	50 / 60	4.2 / 4.0	0.050 / 0.043	0.065 / 0.060	1750 / 2500	23 / 25	18 / 26	8.5 / 12.3
A31-B15A-15W2-000	115	50 / 60	4.5 / 4.2	0.027 / 0.023	0.090 / 0.080	2200 / 2750	27 / 31	21 / 28	9.9 / 13.2
A31-B15A-15W3-000	115	50 / 60	6.9 / 6.7	0.125 / 0.100	0.160 / 0.140	2750 / 3300	33 / 38	28 / 34	13.2 / 16.0
A31-B15A-23W1-000	230	50 / 60	4.6 / 4.7	0.044 / 0.024	0.060 / 0.055	1900 / 2550	23 / 25	19 / 25	9.0 / 11.8
A31-B15A-23W2-000	230	50 / 60	4.7 / 4.5	0.044 / 0.023	0.055 / 0.050	2300 / 2900	29 / 31	22 / 29	10.4 / 13.7
A31-B15A-23W3-000	230	50 / 60	6.6 / 6.8	0.060 / 0.043	0.080 / 0.070	2750 / 3300	33 / 38	27 / 34	12.7 / 16.0

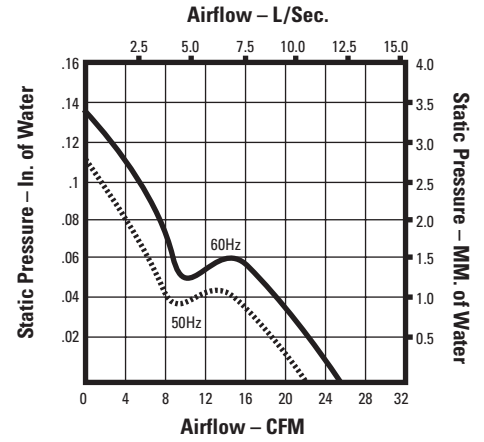
Installation Guide



Performance at Sea Level



A31-B15A-15T1-000
A31-B15A-15W1-000



A31-B15A-15T2-000
A31-B15A-15W2-000

Approvals



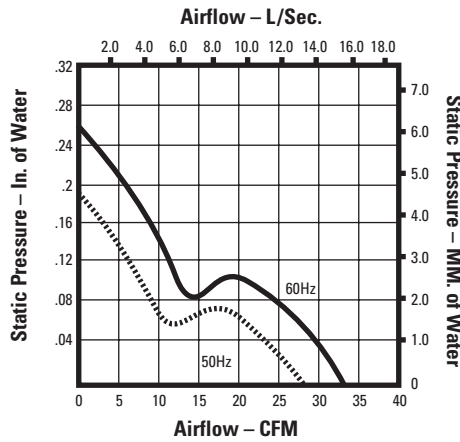
UL File No.
E105397



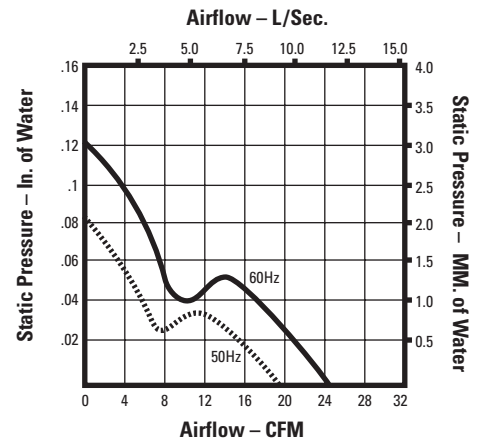
CSA File No.
72877



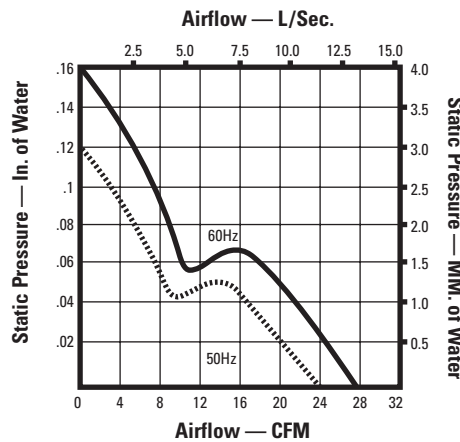
NOTES:



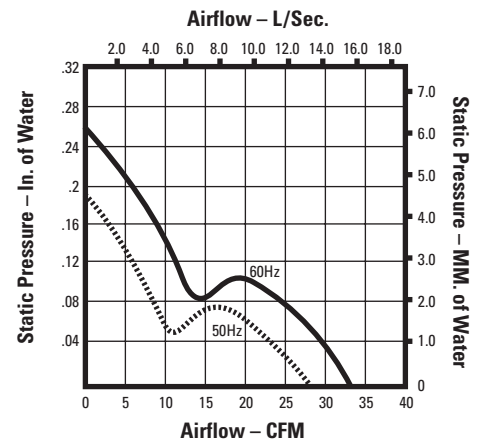
A31-B15A-15T3-000
A31-B15A-15W3-000



A31-B15A-23W1-000



A31-B15A-23W2-000



A31-B15A-23W3-000

All operating specifications measured at nominal operating voltage, free air at sea level