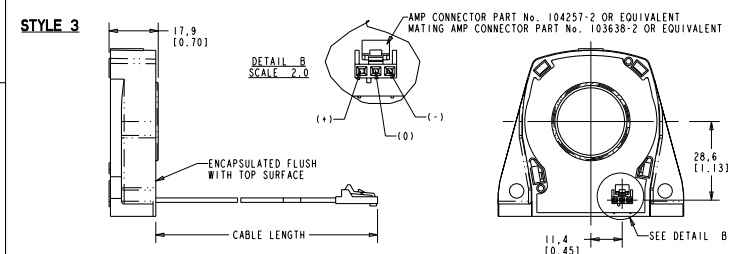
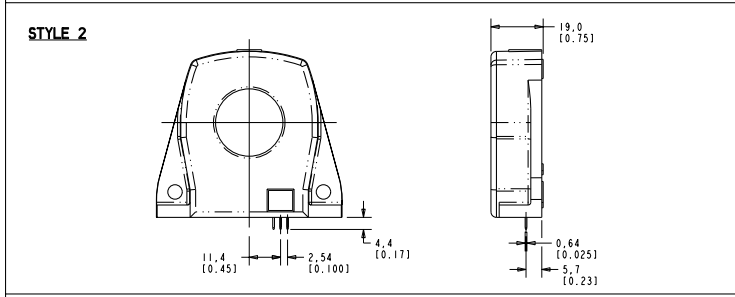
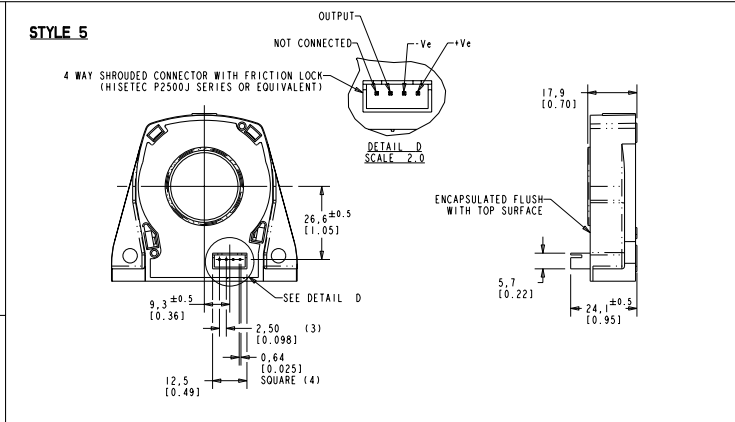
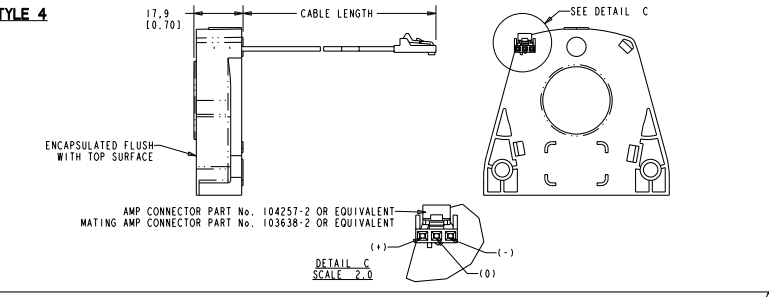
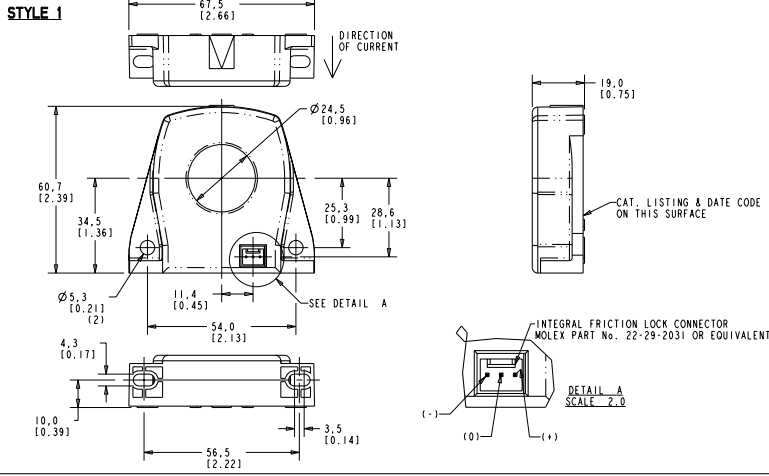


CATALOGUE LISTING	ISSUE	STYLE	SUPPLY VOLTAGE	SENSING RANGE			OUTPUT NOMINAL	MAXIMUM COIL RESISTANCE AT 70°C	No. OF TURNS	SECONDARY CONNECTION	CABLE LENGTH
				NOMINAL	MAXIMUM DC	MAX AC Pk					
CSNS300M	1	1	±12V TO ±15V	300A	600A	600A	150mA	34Ω	2000	INTEGRAL CONNECTOR	200 ±5 (7.9 ±0.1) 330 (13) 64 (2.5)
CSNS300P	1	2								PCB MOUNTING PINS	
CSNS300F	1	3								CONNECTOR ON RIBBON CABLE	
CSNS300F-001	2	4									
CSNS300F-002	2	4								INTEGRAL CONNECTOR	
CSNS300M-001	1	5	825A	31Ω							
CSNS300M-500	1	1	±18V								

- NOTES:-  
 1. HOUSING MATERIAL IS GLASS FILLED PBT.  
 2. OPERATING TEMPERATURE : -40°C TO +85°C.  
 3. PRIMARY CONNECTION : THROUGH HOLE.



DIMENSIONS ARE IN MILLIMETRES (INCHES)		FOR EXPLANATION OF DIMENSIONS, TOLERANCES, NOTES ETC. SEE B.S.308		THIRD ANGLE PROJECTION	THE COPYRIGHT OF THIS DRAWING IS THE PROPERTY OF HONEYWELL LTD. THE DRAWING IS SUPPLIED IN CONFIDENCE AND MUST NOT BE USED FOR ANY PURPOSE OTHER THAN THAT FOR WHICH IT IS SUPPLIED.
DRAWN		TITLE <b>300A NULL BALANCE CURRENT SENSOR</b>		SHT 1 OF 1	
CHECKED		TOLERANCES UNLESS OTHERWISE STATED		DRAWING NUMBER	
APPROVED		±0.2		SCALE 1/1	
DIMENSIONS SPECIFIED ARE TO BE MET BEFORE PROTECTIVE COATINGS ARE APPLIED		Honeywell		MTG-CSN-320	
				DO NOT SCALE PRINT	
				A2 FORMAT ISSUE 4	