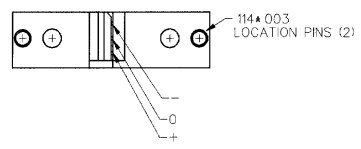
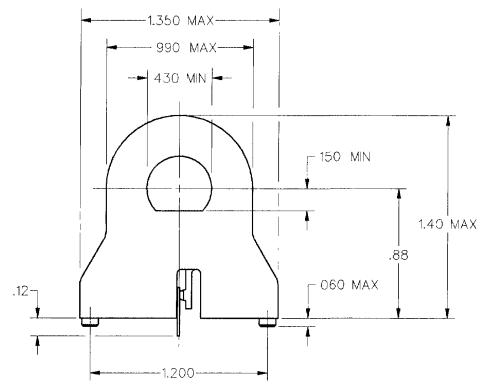
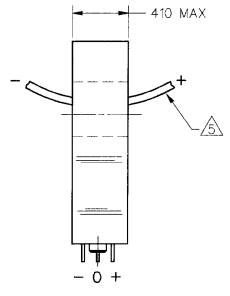
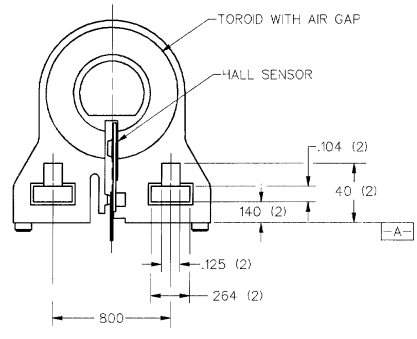
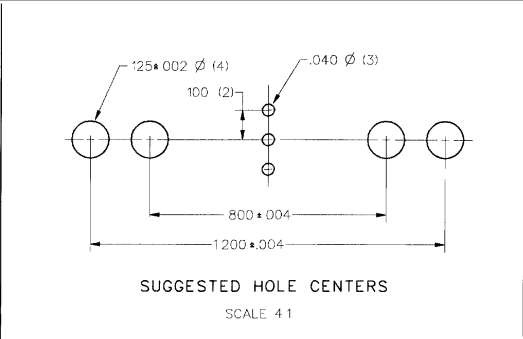


FORMTEK DRAWING NUMBER **CSLA1CH** RELEASE NO. PR-138333 RELEASE XR0334-CS
 DRAWING NUMBER **4** PAGE 1 OF 1
 DATE **6 MAR 00** BY **SAV** CHECKED **6 MAR 00**

M CSLA1CH



- NOTES**
- 1 - AIR GAP IN TOROID IS .178
 - 2 - GAUSS LEVEL IN AIR GAP IS 2.45 TO 2.70 GAUSS PER V/I
 - 3 - RECOMMENDED MOUNTING IS 4-40 SQUARE NLT AND .375 LONG 4-40 SCREW
 - 4 - SEE 91SS12-2 FOR ELECTRICAL CHARACTERISTICS
- CAUTION**
CONVENTIONAL CURRENT FLOW IN DIRECTION INDICATED WILL CAUSE AN INCREASE IN HALL VOLTAGE



THIS DRAWING COVERS A PROPRIETARY ITEM AND IS THE PROPERTY OF MICRO SWITCH, A DIVISION OF HONEYWELL. THIS DRAWING IS NOT TO BE COPIED OR USED WITHOUT THE APPROVAL OF MICRO SWITCH.

MICRO SWITCH
a Honeywell Division

CURRENT SENSOR

CSLA1CH

REVISIONS: CATALOG LISTING
REV. 005 9/920

THIRD ANGLE PROJECTION	
SCALE	2 : 1
DO NOT SCALE PRINT	
UNLESS OTHERWISE SPECIFIED TOLERANCES ARE	
ONE PLACE (.)	±.030
TWO PLACES (.00)	±.015
THREE PLACES (.000)	±.005
ANGLES	±
WEIGHT	

MASTER REDUCED