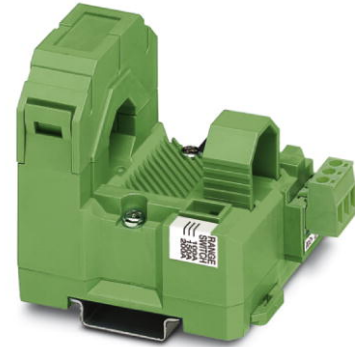


MCR-SL-S-400-U


Order No.: 2813473



<http://eshop.phoenixcontact.de/phoenix/treeViewClick.do?UID=2813473>


MCR current measuring transducer, for measuring sinusoidal and non-sinusoidal alternating currents, input current 0...400 A, output voltage 0...(5) 10 V



Commercial data	
GTIN (EAN)	
sales group	H531
Pack	1 pcs.
Customs tariff	85437090
Catalog page information	Page 394 (IF-2009)

Product notes

WEEE/RoHS-compliant since:
05/31/2006



<http://www.download.phoenixcontact.com>
Please note that the data given here has been taken from the online catalog. For comprehensive information and data, please refer to the user documentation. The General Terms and Conditions of Use apply to Internet downloads.

Technical data	
Input data	
Input	Current measuring input
Input current range	0 A ... 400 A (0...200/300/400 A)
Operate threshold	1% (of final value)
Setting range for min. input current	0 A ... 200 A

Setting range for max. input current	0 A ... 400 A
Overload capacity	Depending on laid conductor
Surge strength	Depending on through connected conductor
Frequency measuring range	30 Hz ... 6000 Hz
Connection method	Clamp-on cable design, diameter 18.5 mm

Output data

Output name	Voltage output
Voltage output signal	0 V ... 10 V
	0 V ... 5 V
Max. output voltage	((0 V ... 10 V) 14 V, (0 V ... 5 V) 7 V)
Load/output load voltage output	$\geq 10 \text{ k}\Omega$

Power supply

Supply voltage range	20 V DC ... 30 V DC
Max. current consumption	< 30 mA

Connection data

Connection method	Pluggable screw connection
Conductor cross section solid min.	0.2 mm ²
Conductor cross section solid max.	2.5 mm ²
Conductor cross section stranded min.	0.2 mm ²
Conductor cross section stranded max.	2.5 mm ²
Conductor cross section AWG/kcmil min.	24
Conductor cross section AWG/kcmil max	14
Stripping length	8 mm
Screw thread	M3

General data

Width	55 mm
Height	85 mm
Depth	70.5 mm
Maximum transmission error	< 1 % (of final value)
Maximum temperature coefficient	< 0.035 %/K
Step response (10-90%)	< 340 ms
Ambient temperature (operation)	-20 °C ... 60 °C
Degree of protection	IP20

Surge voltage category	III
Pollution degree	2
Rated insulation voltage	300 V AC (to earth)
Test voltage input/output	5 kV (50 Hz, 1 min.)
Color	green
Housing material	Polyamide PA non-reinforced
Mounting position	Any
Conformance	CE-compliant
UL, USA / Canada	cULus

Certificates / Approvals



Certification

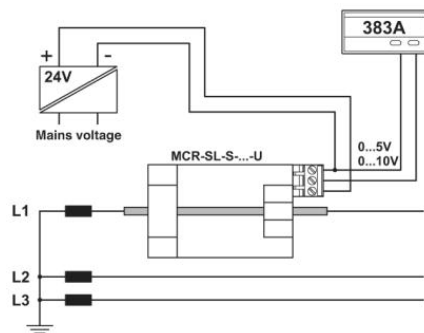
CUL Listed, UL Listed

Certification Ex:

CUL-EX LIS, UL-EX LIS

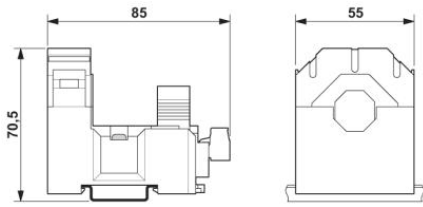
Diagrams/Drawings

Application drawing

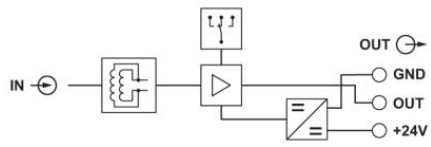


Current measurement

Dimensioned drawing



Circuit diagram



Address

PHOENIX CONTACT Inc., USA
586 Fulling Mill Road
Middletown, PA 17057, USA
Phone (800) 888-7388
Fax (717) 944-1625
<http://www.phoenixcon.com>



© 2011 Phoenix Contact
Technical modifications reserved;