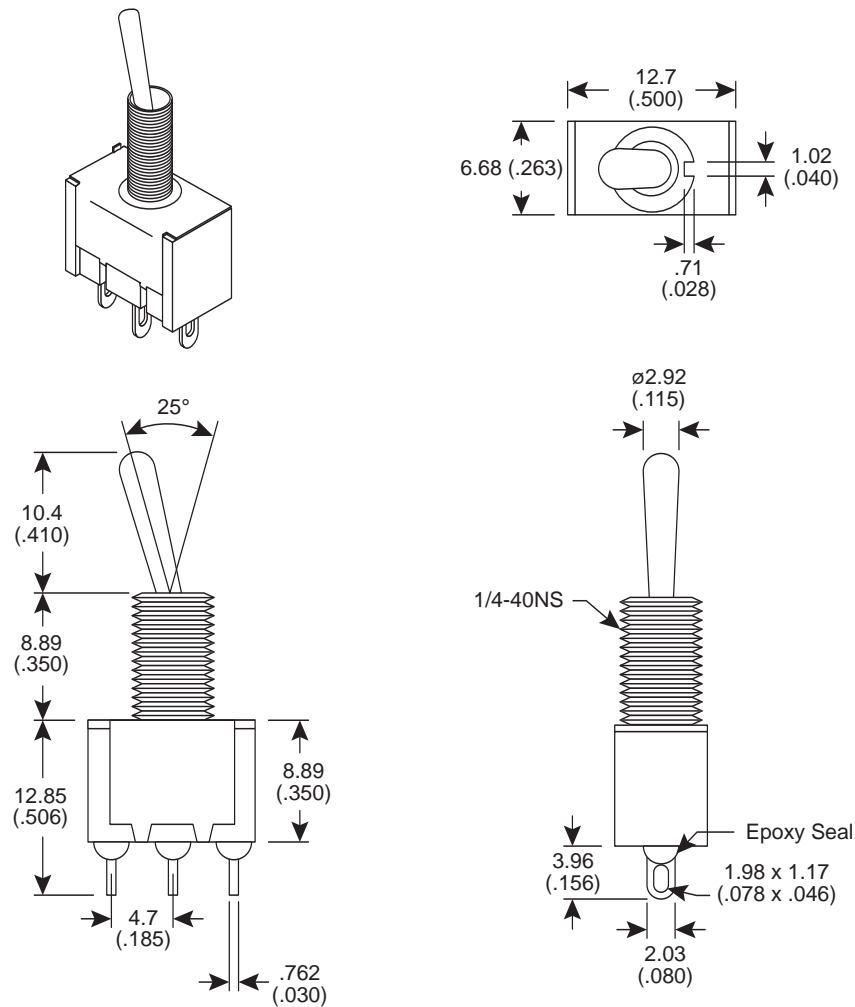


Dimensions: mm (In)

**Electrical Specifications:**

- Rating: 5A/120VAC/28VDC, 2A/250VAC
- Contact resistance: 10m Ω max. @ 2~4VDC 100mA
- Insulation resistance: 1,000M Ω min.
- Dielectric strength: 1000Vrms @ epoxy seal level
- Electrical life: 50,000 make-and-break cycles

Mechanical Specifications:

- Circuit: 3P SPDT On-Off-(On)
- Operating temperature: -30°~+85°C

Materials:

- Case: diallyl phthalate
- Handle: chrome plated brass
- Bushing: nickel plated brass
- Housing: stainless steel
- Terminal/switch support: electrotin plated brass
- Contacts: silver plated copper

Toggle Switch
103-5140

Mountain
Switch

Available from Mouser Electronics

www.mouser.com

1-800-346-6873

Specifications are subject to change without notice. No liability or warranty implied by this information. Environmental compliance based on producer documentation.