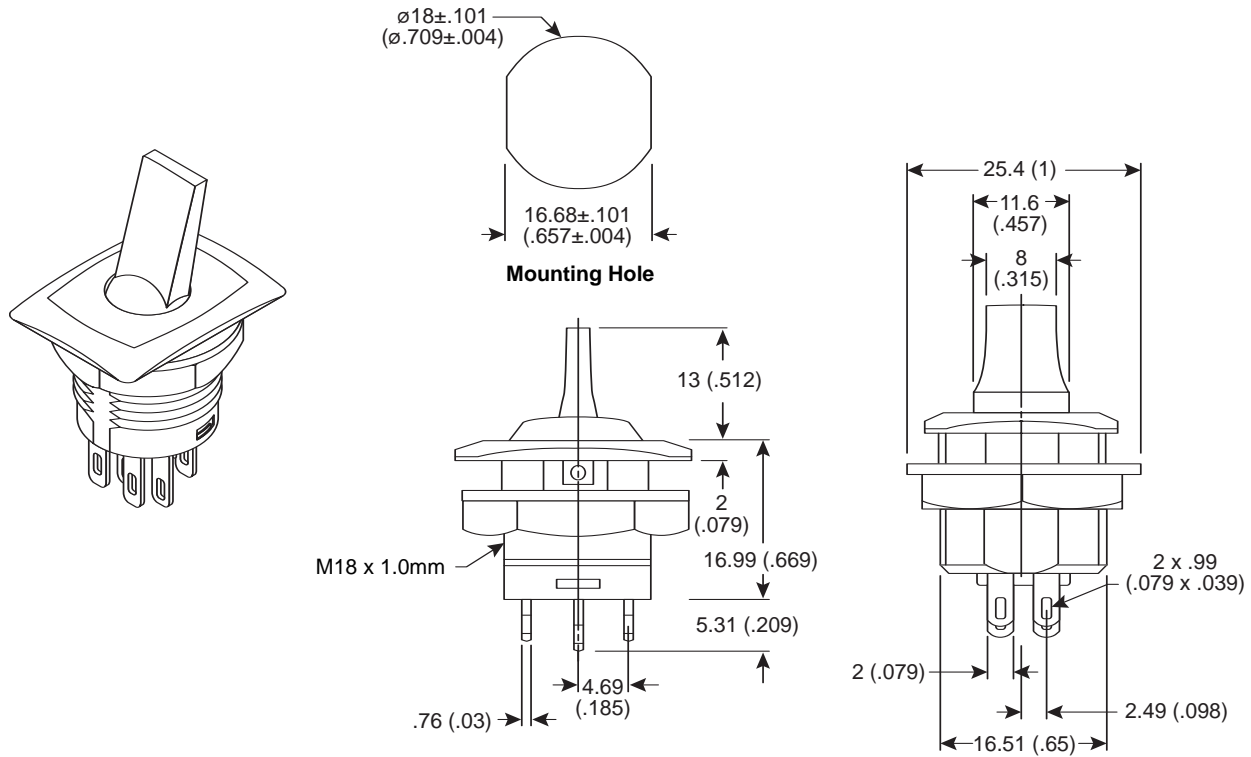


Dimensions: mm (In)



Electrical Specifications:

- Rating: 6A/250VAC
- Contact resistance: 50mΩ max.
- Insulation resistance: 500VDC 100MΩ min.
- Dielectric strength: 1500VAC for 1 minute

Mechanical Specifications:

- Type: 6P, DPDT
- Circuit: On-On (103-4024), On-(On) (103-4025)
- Operational life cycles: 100,000

Toggle Switches
103-4024, 103-4025



Available from Mouser Electronics

www.mouser.com

1-800-346-6873

Specifications are subject to change without notice. No liability or warranty implied by this information. Environmental compliance based on producer documentation.