

MODEL 300

Programmable Timer

- Multiple timing & voltage ranges
- Digital timing circuit
- Five function modes
- Easy to program

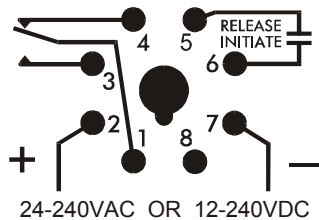
DESCRIPTION

The **Model 300 Programmable Timer** is designed to replace over 100 standard timers. One Model 300 can be set for one of five functions, covers four timing ranges, and has a universal power supply for any AC voltage from 24 to 240 volts, or DC voltage from 12 to 240 volts.

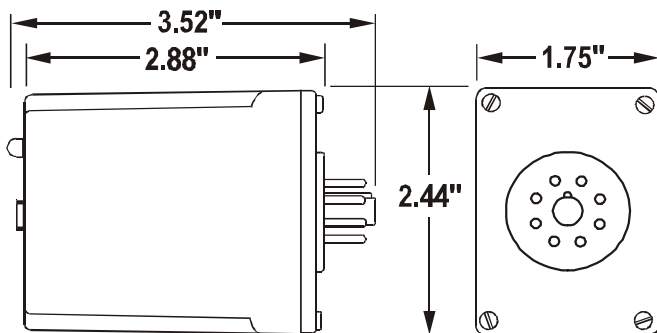
The digital design of the Model 300 provides high accuracy, repeatability and response time. The output of the Model 300 is a heavy-duty SPDT electro-mechanical output relay.

Programming options are chosen by simply setting the four DIP switches on top of the relay, and then adjusting a potentiometer for percent of delay. A LED indicator illuminates when the relay is energized.

PIN DRAWING



DIMENSIONS



(dimensions have tolerance of ± 0.06)

Shows No Power Applied



SPECIFICATIONS

| MODEL | 300 |
|-----------------------|---|
| Supply voltage | 24-240VAC, 50/60 Hz or 12-240VDC |
| Maximum AC voltage | 280 VAC |
| Maximum DC voltage | 385 VDC |
| Power consumption | 3.1 watts at 240VAC 1.8 watts at 240VDC |
| Functional modes | see PROGRAMMING table |
| Timing ranges | see PROGRAMMING table |
| Accuracy | $\pm 5\%$ |
| Repeatability | 0.1% |
| Response time | 100msec |
| Contacts | SPDT |
| Contact Rating | 10A at 240VAC resistive |
| Expected relay life | Mechanical: 10 million operations Electrical: 100,000 operations at rated load |
| Operating temperature | +14° to +122° F |
| Humidity tolerance | 0-97% without condensation |
| Case material | ABS plastic |
| Mounting | 8-pin socket (<i>not included</i>)* |
| Weight | 4.5 oz. |

* order 8-pin socket number 51 x 120

PROGRAMMING

| TIMING RANGE | SWITCH 1 | SWITCH 2 |
|---------------------|----------|----------|
| 0.15 to 15 seconds | OFF | ON |
| 0.6 to 60 seconds | ON | OFF |
| 5 to 480 seconds | ON | ON |
| 0.6 to 64 minutes | OFF | OFF |
| FUNCTIONS | SWITCH 3 | SWITCH 4 |
| Interval-on-Operate | ON | OFF |
| Delay-on-Operate | ON | ON |
| Delay-on-Release | ON | OFF |
| Recycle Start-ON | OFF | OFF |
| Recycle Start-OFF | OFF | ON |

SIGNALINE
DIV OF TIME MARK CORPORATION