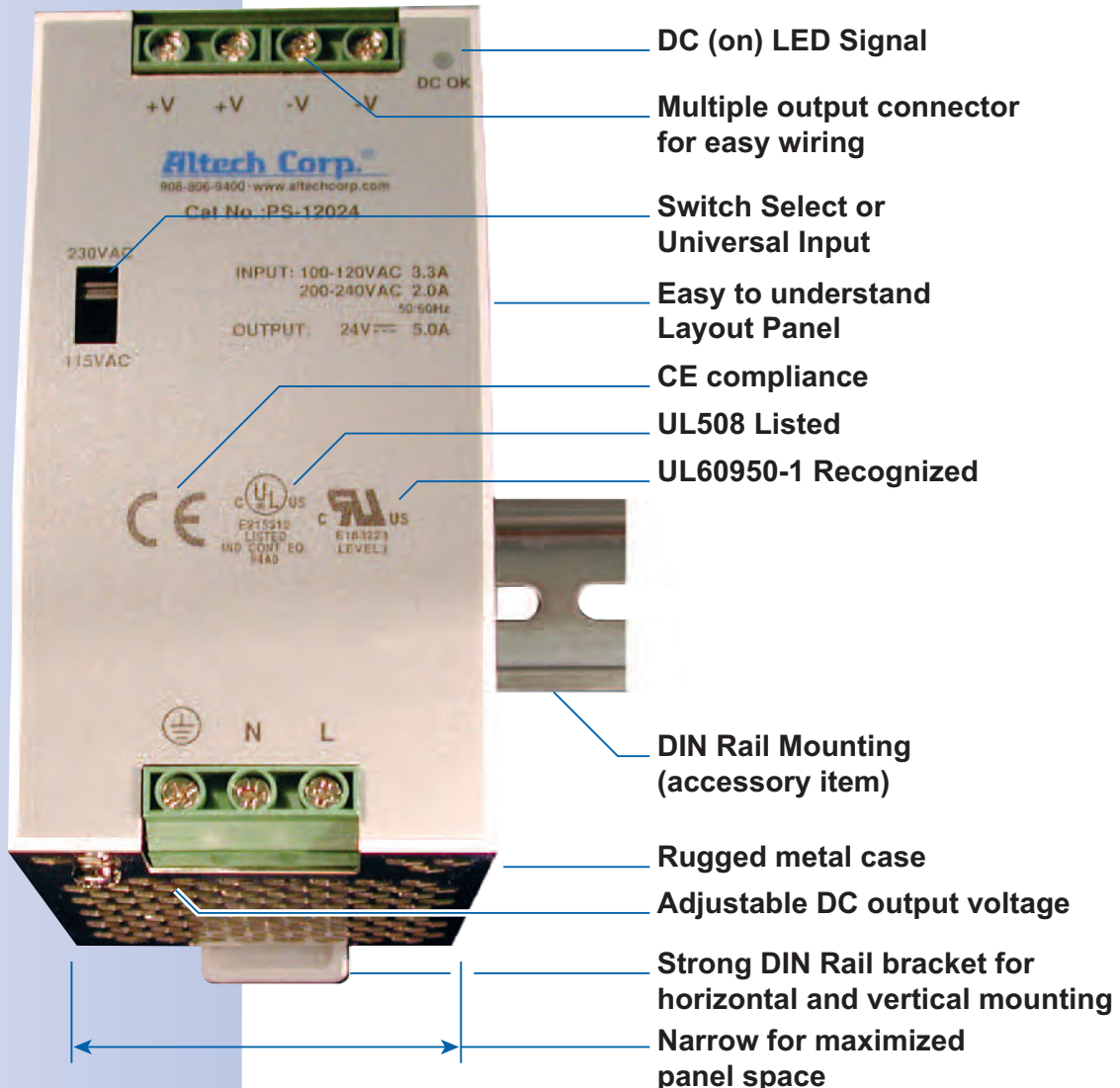


DIN RAIL POWER SUPPLIES

(30-960 WATTS)



- DIN Rail Mount, 35 x 7.5 mm or 35 x 15 mm
- Wide Power Range (30W-960W)
- Wide Adjustment Range
- Rugged for Industrial Use
- High Efficiency
- Lightweight and Compact Design
- 3 year warranty
- Short Circuit Protection
- Overvoltage Protection
- Overload Protection
- Overtemperature Protection
- Cooling by free air convection
- Worldwide Approvals
- UL508 Listed and/or UL60950-1 Recognized



Altech Power SuppliesEasy to Use & Reliable!

Specifications

Input

- Input Voltage
 - 90-264V AC for the single phase
 - 340-550V AC for the three phase
- Input Frequency: 47-63 Hz
- Input Current: 0.6 A to 8A
- Inrush Current: cold start 60 A max
- Power Factor: All units are EN61000-3-2 compliant

General

- Efficiency: 72-92% (see data sheets)
- Isolation: 3000V AC Input to Output
1500V AC Input to Ground
500V AC Output to Ground

Environmental

Power supplies can run at 100% capacity inside the panel, there is no need for oversizing. See derating curves for more information.

- Operating Temperature:
-20 to +60°C (-4° to +140°F)
- Operating Humidity:
90% RH, non-condensing
- Storage Temperature:
-20 °C to +85 °C (-4° to +185°F)
- Vibration: 2 G, 10 Hz to 500 kHz,
10 min/cycle for 60 minutes each axis



Output

- Output Voltage: 5V; 12V; 15V; 24V; 48V
- Output Voltage Adjustment Range: $\pm 10\%$
- Initial Set Accuracy: $\pm 2\%$ max
- Ripple & Noise: See data sheet
- Over-voltage Protection: 115-135%
- Overload Protection: 105-150%,
constant current with auto recovery

EMC & Safety

- Emissions: EN55022/55011, Class B
- EN61000-3-2, -3
- Voltage Flicker: EN61000-3-3
- ESD Immunity: EN61000-4-2, level 3
- Radiated Immunity: EN61000-4-3, 10 V/m
- EFT/Burst: EN61000-4-4, level 3
- Surge: EN61000-4-5, level 3
- Conducted Immunity:
EN61000-4-6, 10 V rms,
- Safety Approvals:
EN60950
UL508
UL60950
CE marked
- Military Standard
MIL-HDBK-217F

480W Single Phase Power Supplies



Key Features

- Universal AC Input / Full Range or switch select
- LED indicator for power on
- 100% full load burn-in test
- 3 year warranty
- Input voltage range:
 - 90-264V AC
 - 250-370V DC
- AC inrush current:
 - Cold start: 27A at 115V AC
 - 45A at 230V AC
- DC adjustment range:
 - ±10% rated output voltage
- Overload voltage protection:
 - 105%-160% constant current limiting, auto-recovery
- Over-voltage protection:
 - 115%-135% rated output voltage
- Setup, rise, hold up time:
 - 1200ms; 40ms; 20ms at full load at 115V AC and 230V AC
- Withstand voltage:
 - I/P-O/P: 3KV AC, I/P-FG: 1.5KV AC, O/P-PG: 0.5KV AC
- Working temperature:
 - 20 to +50°C (-4° to +122°F) at 100%, and +60°C (+140°F) at 80% load
- Safety standards:
 - UL60950-1
 - UL508
- EMC standards:
 - EN55022 class B,
 - EN61000-4-2,3,4,5,6,8,11,
 - ENV50204,
 - EN61204-3
- Military Standard
 - MIL-HDBK-217F



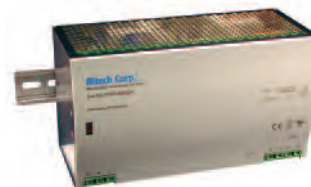
480W Single Output DIN Rail Power Supply with PFC Function



| Cat. No. | Output V DC | Output A | Tol. % | Ripple & Noise | Efficiency |
|-----------|----------------|-------------|-----------|-------------------|------------|
| PSP-48024 | 24V DC | 20A | ±1% | 120 mVp-p | 89% |
| PSP-48048 | 48V DC | 10A | ±1% | 120 mVp-p | 89% |

Wide range Input: **180-264V AC only**, 250-370V DC, 4A @ 230V AC
Built in passive Power Factor Correction function compliance to EN61000-3-2, PF>0.7

Connection: Input - 3 poles, Output – 4 poles screw terminal
Size (WxHxD): 227x125x100mm (8.95x4.95x3.95 inches)
Packaging: 1/box; 5.3lbs / 2.4Kg



480W Switch Select Single Output DIN Rail Power Supply with PFC Function

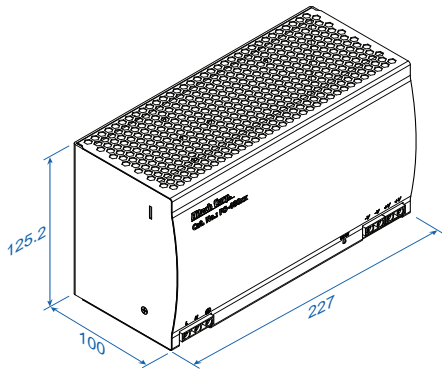


| Cat. No. | Output V DC | Output A | Tol. % | Ripple & Noise | Efficiency |
|------------|----------------|-------------|-----------|-------------------|------------|
| PSP-480S24 | 24V DC | 20A | ±1% | 120 mVp-p | 89% |
| PSP-480S48 | 48V DC | 10A | ±1% | 120 mVp-p | 89% |

Switch select Input: 90-132V AC / 180-264 V AC, 254-370V DC range
8A @ 115V AC, 3.2A @ 230V AC

Built in passive Power Factor Correction function compliance to EN61000-3-2, PF>0.7/230V AC only
Connection: Input - 3 poles, Output – 4 poles screw terminal
Size (WxHxD): 227x125x100mm (8.95x4.95x3.95 inches)
Packaging: 1/box; 5.8lbs / 2.6Kg

PSP-480 Series (220V AC only)



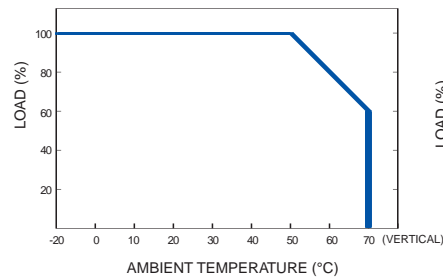
TB1 Terminal Pin. No Assignment

| Pin No. | Assignment |
|---------|------------|
| 1 | AC/L |
| 2 | AC/N |
| 3 | FG ⊕ |

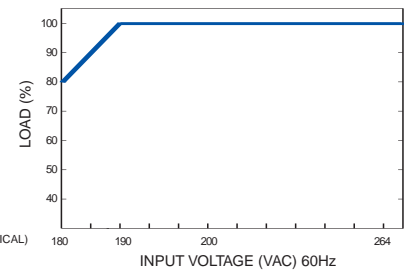
TB2 Terminal Pin. No Assignment

| Pin No. | Assignment |
|---------|--------------|
| 1,2 | DC OUTPUT +V |
| 3,4 | DC OUTPUT -V |

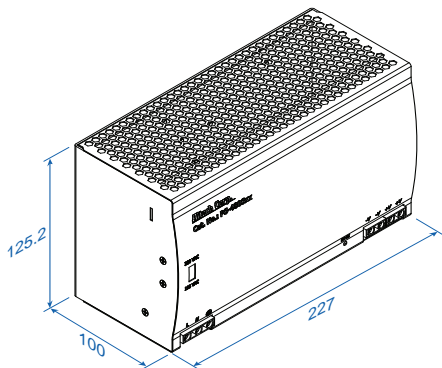
Derating Curve



Output Voltage Regulation



PSP-480 with Switch Series (110V AC and 220V AC)



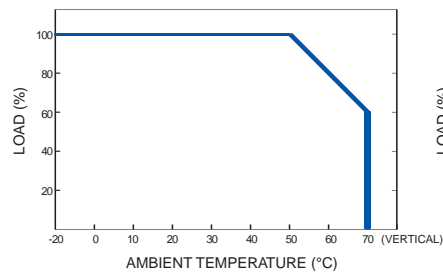
TB1 Terminal Pin. No Assignment

| Pin No. | Assignment |
|---------|------------|
| 1 | AC/L |
| 2 | AC/N |
| 3 | FG ⊕ |

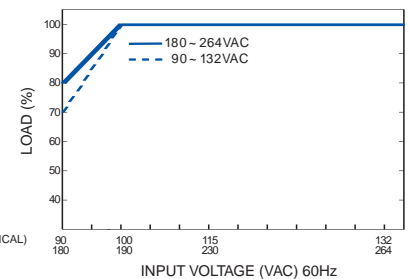
TB2 Terminal Pin. No Assignment

| Pin No. | Assignment |
|---------|--------------|
| 1,2 | DC OUTPUT +V |
| 3,4 | DC OUTPUT -V |

Derating Curve



Output Voltage Regulation



Note: All dimensions are in millimeters, to convert to inches multiply by 0.03937.