


Accessories (Optional)


Single-end Connector Cable (2 cables per set, for emitter and receiver)

For wiring with safety circuit such as single safety relay, safety relay unit, and safety controller

Appearance	Cable length	Specifications	Model
	3 m	M12 connector (8-pin)	F39-JC3A
	7 m		F39-JC7A
	10 m		F39-JC10A
	15 m		F39-JC15A
	20 m		F39-JC20A


Double-end Connector Cable (2 cables per set, for emitter and receiver)

For connection with F3SP-B1P control unit, and for extension when series-connected *




Appearance	Cable length	Specifications	Model
	0.5 m	M12 connector (8-pin)	F39-JCR5B
	1 m		F39-JC1B
	3 m		F39-JC3B
	5 m		F39-JC5B
	7 m		F39-JC7B
	10 m		F39-JC10B
	15 m		F39-JC15B
	20 m		F39-JC20B

* To extend the cable length under series connection, use F39-JJR3W and F39-JC□B in combination.

Power Cable (Included with the main unit) (2 cables per set, for emitter and receiver)

Appearance	Cable length	Model
	0.3 m	F39-JJR3K

Series Connection Cable (2 cables per set, for emitter and receiver)

Type	Appearance	Cable length	Model	Application
Series connection cable		0.3 m	F39-JJR3W	For series connection *1 When using the Water-resistant Case. *2
Extension cable		0.5 to 15 m	F39-JC□B	To change series connection length in combination with F39-JJR3W
Side-by-side Series connection cable		0.06 m	F39-JJR06L	Dedicated series connection cable with minimum length, used in place of the sensor's cable with connector
		0.15 m	F39-JJR15L	

*1. Total cable length of series connection is 0.6 m to connect to connector cable of the main sensor unit.

For series connection with minimum length, use the F39-JJR06L or F39-JJR15L.

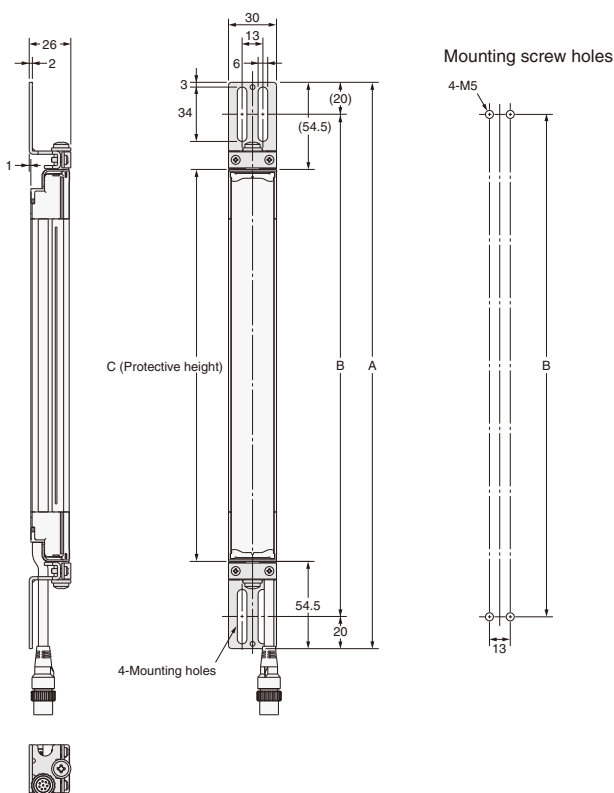
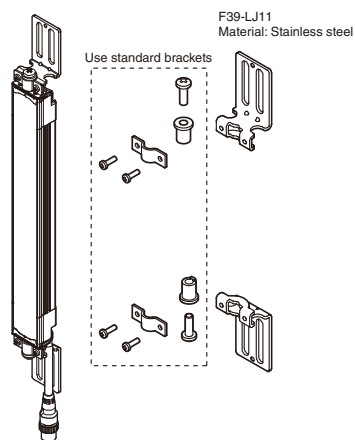
*2. When using the F39-EJ□□□□-L/D Water-resistant Case in series connection configurations, use the special series connection cables for the Water-resistant Case. Refer to page 14 for details.

F3W-C replacement correspondence table (F3W-C mounting holes can be used without modification)
 When replacing F3W-C□□□ with F3SJ-A□□□□□30

F3W-C		Replacement F3SJ	
Model	Protective height	Model	Protective height
F3W-C044	120	---	---
F3W-C084	280	F3SJ-A0320□□30	320
F3W-C124	440	F3SJ-A0470□□30	470
F3W-C164	600	F3SJ-A0620□□30 *	620
F3W-C204	760	F3SJ-A0795□□30 *	795
F3W-C244	920	F3SJ-A0945□□30 *	945

* New holes must be drilled for the intermediate bracket.

Using Top/Bottom Mounting Bracket C (F39-LJ11)



Dimensions A to C

A	C + 109
B	C + 69
C	4-digit number of the model name (protective height)

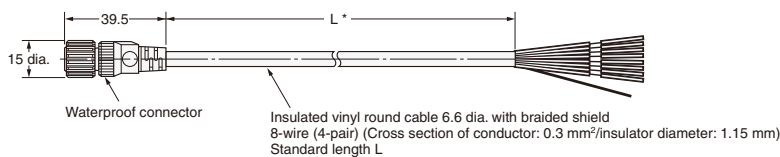
Accessories

Single-end Connector Cable

- F39-JC3A (L = 3 m)
- F39-JC7A (L = 7 m)
- F39-JC10A (L = 10 m)
- F39-JC15A (L = 15 m)
- F39-JC20A (L = 20 m)



Color: Emitter (gray)
Receiver (black)



* Cables with L=3, 7, 10, 15, and 20 m are available.